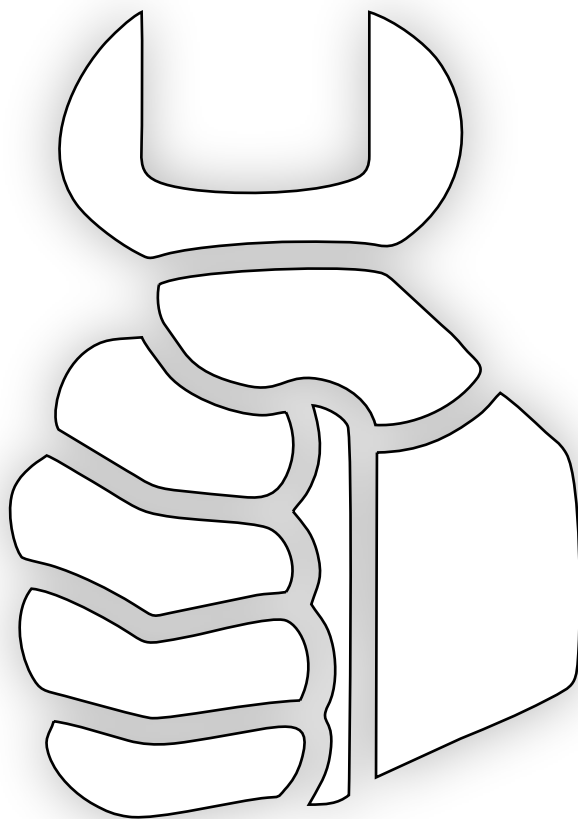


Parts online

Spare parts list



Kits/Consumables CPLT M10 1

Service

1310312031_00 Service pak 500 hrs / annual 3
1310312030_00 Service pak 250 hrs 5
Engine Oil 7
Coolant 9

Mechanical

1310072769_01 HDW assembly 11
1310072537_01 Floodlight assembly 13
1310072808_01 HDW assembly 15
1310072807_01 HDW assembly 17
1310072624_01 Fuel tank assembly 19
1310072768_01 Gang box assembly 21
Axle assembly 23
Fuel tank assembly 25
Floodlight assembly 27
HDW assembly 29
Ballast box assembly 31
Body door hdw assembly 33
Body cradle hdw assembly 35
Body assembly 37
Drawbar assembly 39
Front body hdw assembly 41
Hdw drawbar standard assembly 43
Winch drawbar assembly 45
Winch manual drawbar assembly 47
Decal assembly 49
Frame,swivel base hdw assembly 51
1310072767_01 Tower winch assembly 53
Hdw drawbar hitch standard assembly 55
Frame assembly 57
3" tower section hdw assembly 59
Tower assembly 61
Winch manual drawbar assembly 63
Exhaust pipe assembly 65
4" tower section hdw assembly 67

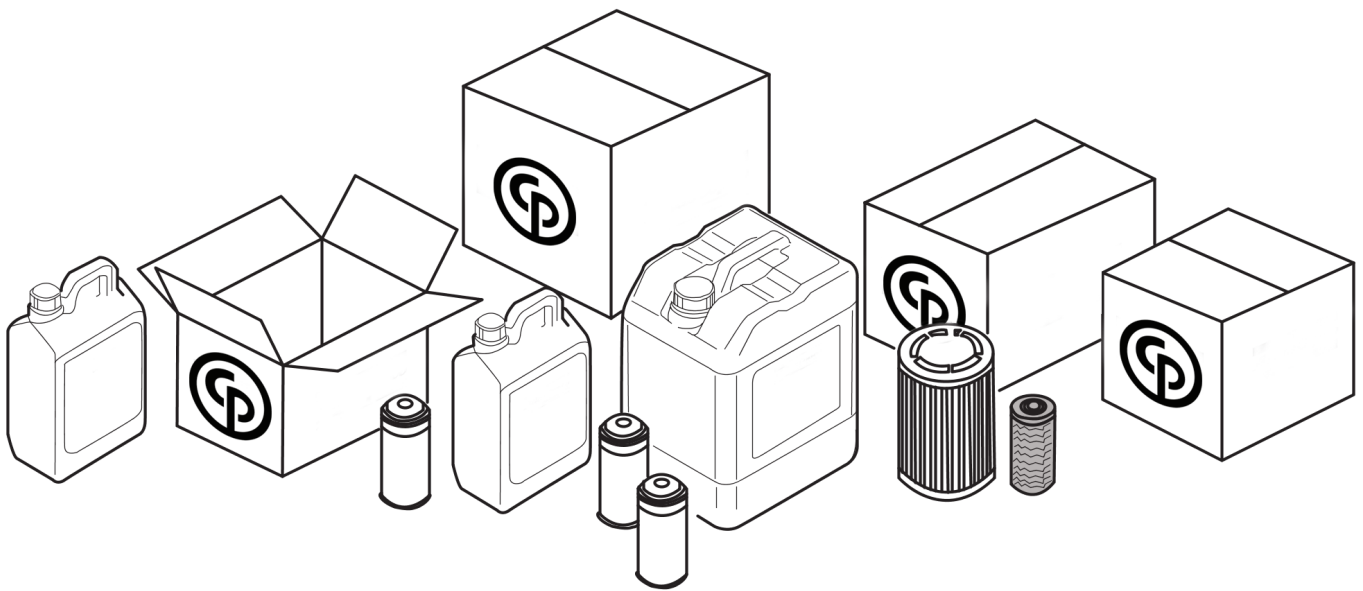
Engine

Engine assembly 69
Engine riser hdw assembly 71
Genset, engine riser hdw assembly 73
1310072684_01 Generator 75
Exhaust pipe assembly 77

Electrical System

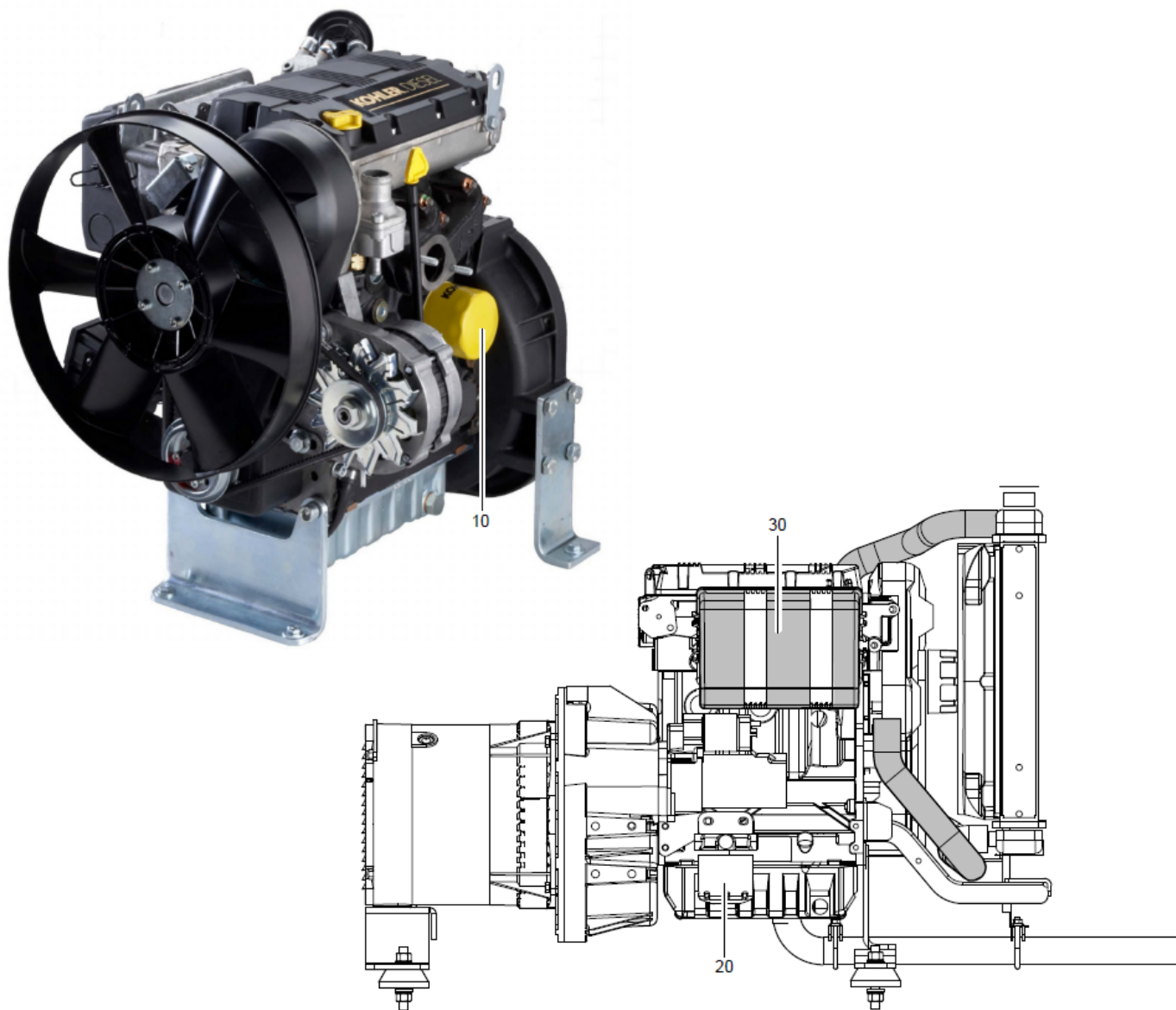
Control box assembly 79
Lighting assembly 81
Battery assembly 83

Kits/Consumables CPLT M10



| Item | Part No. | Name | Qty | L |
|-----------|------------|------------------------------|-----|---|
| Not Shown | - | Fluids CPLT M10 | | |
| 1 | - | Coolant | AR | |
| 2 | - | Coolant | AR | |
| 3 | 1310312031 | Service pak 500 hrs / annual | 1 | |
| 4 | 1310312030 | Service pak 250 hrs | 1 | |

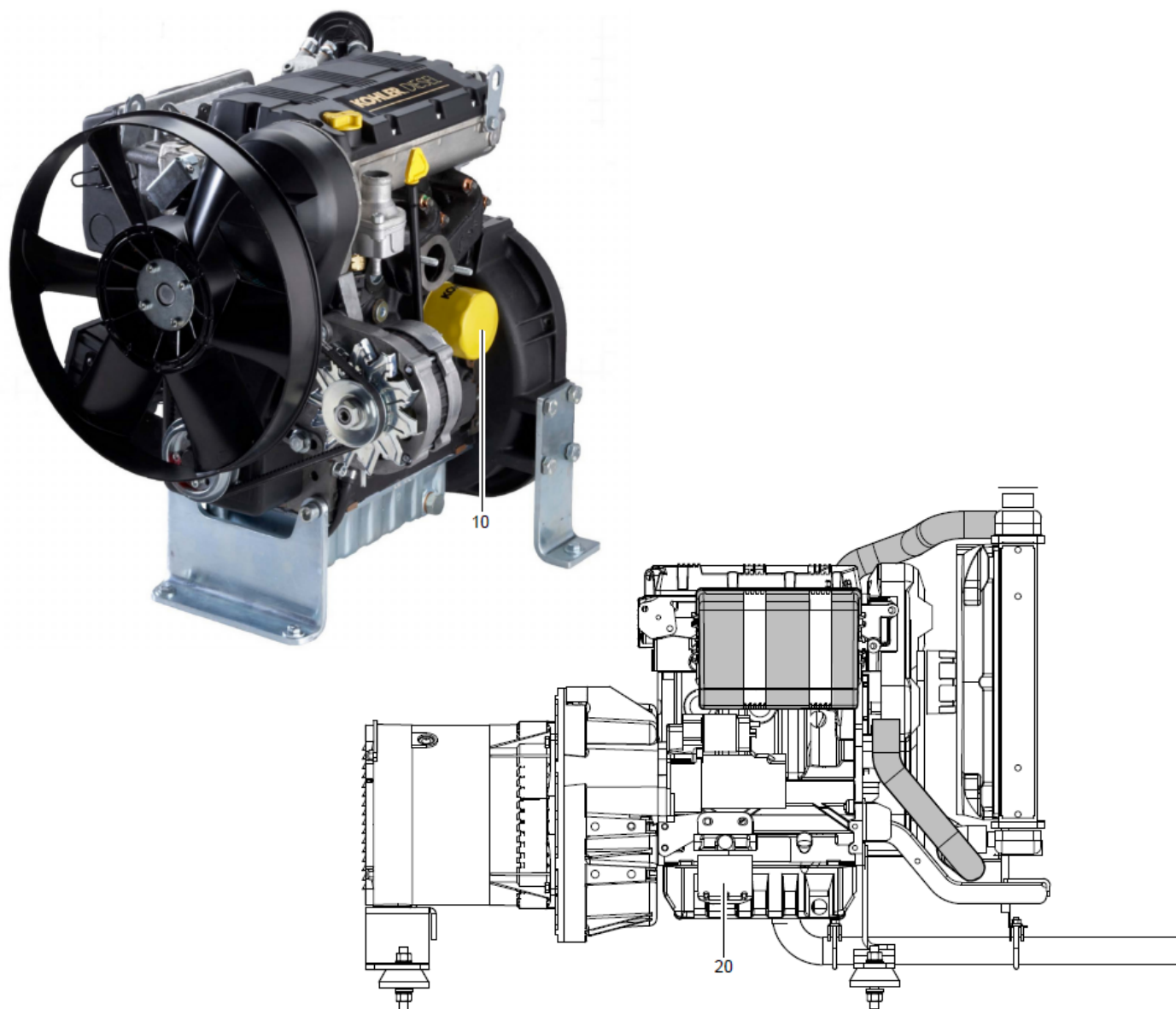
Service 1310312031_00 Service pak 500 hrs / annual



Refer to the Parts Online web page for most up-to-date information. The printed information might be outdated.

| Item | Part No. | Name | Qty | L |
|------|------------|------------------------------|-----|---|
| - | 1310312031 | Service pak 500 hrs / annual | - | |
| 10 | - | Oil filter | 1 | |
| 20 | - | Fuel filter | 1 | |
| 30 | - | Air filter | 1 | |

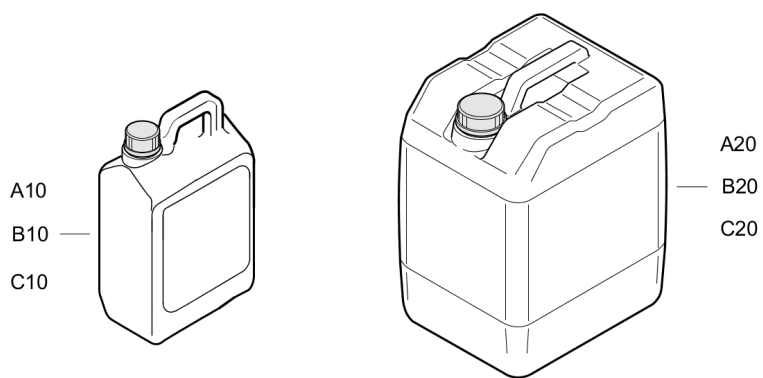
Service 1310312030_00 Service pak 250 hrs



Refer to the Parts Online web page for most up-to-date information. The printed information might be outdated.

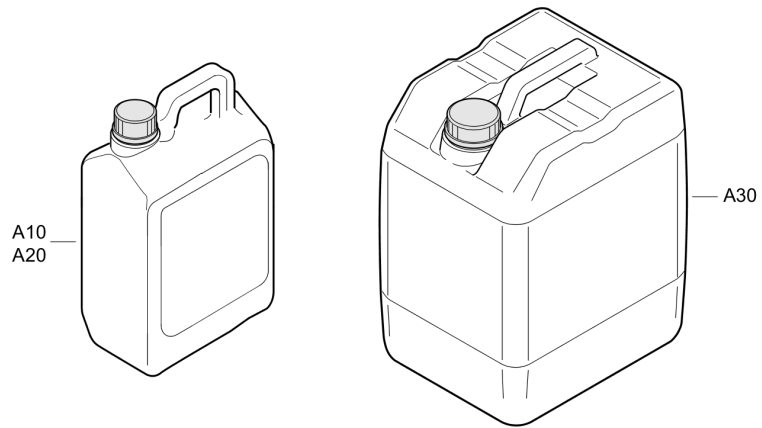
| Item | Part No. | Name | Qty | L |
|------|------------|---------------------|-----|---|
| - | 1310312030 | Service pak 250 hrs | - | |
| 10 | - | Oil filter | 1 | |
| 20 | - | Fuel filter | 1 | |

Service Engine Oil



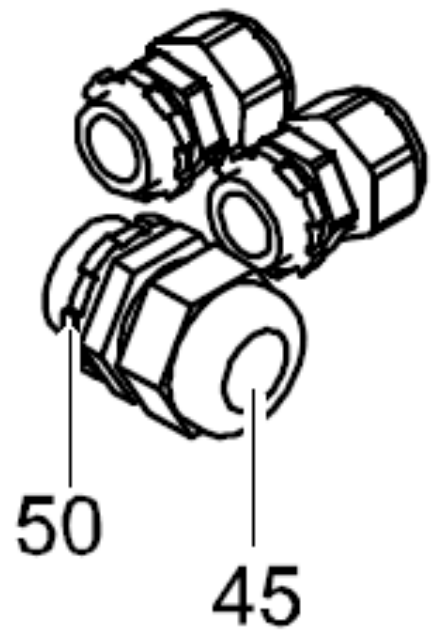
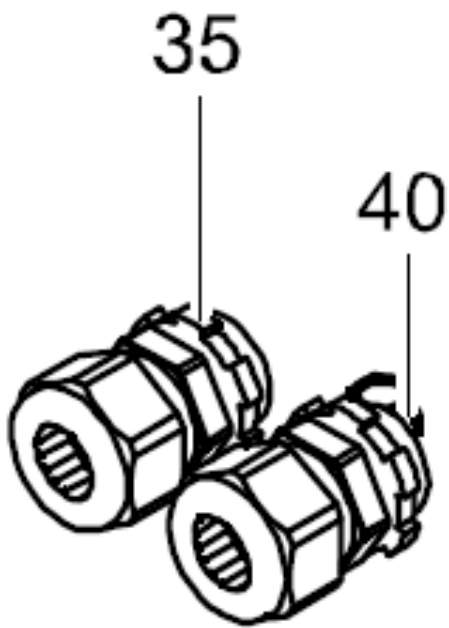
| Item | Part No. | Name | Qty | L |
|-----------|------------|---|-----|---|
| Not Shown | - | Genoil Performance | AR | |
| A10 | 1626226200 | Can Paroil 15W40 5 Liter/1.32 Gallon | 1 | |
| A20 | 1626226300 | Can Paroil 15W40 20 Liter/5.3 Gallon | 1 | |
| Not Shown | - | Paroil Engine Plus | AR | |
| B10 | 1626225801 | Can Paroil 5W40 5 Liter/1.32 Gallon | 1 | |
| B20 | 1626225901 | Can Paroil 5W40 20 Liter/5.3 Gallon | 1 | |
| Not Shown | - | Genoil Engine Green | AR | |
| C10 | 1638074000 | Can Paroil Engine Green 5 Liter/1.32 Gallon | 1 | |
| C20 | 1638075000 | Can Paroil Engine Green 20 Liter/5.3 Gallon | 1 | |

Service Coolant



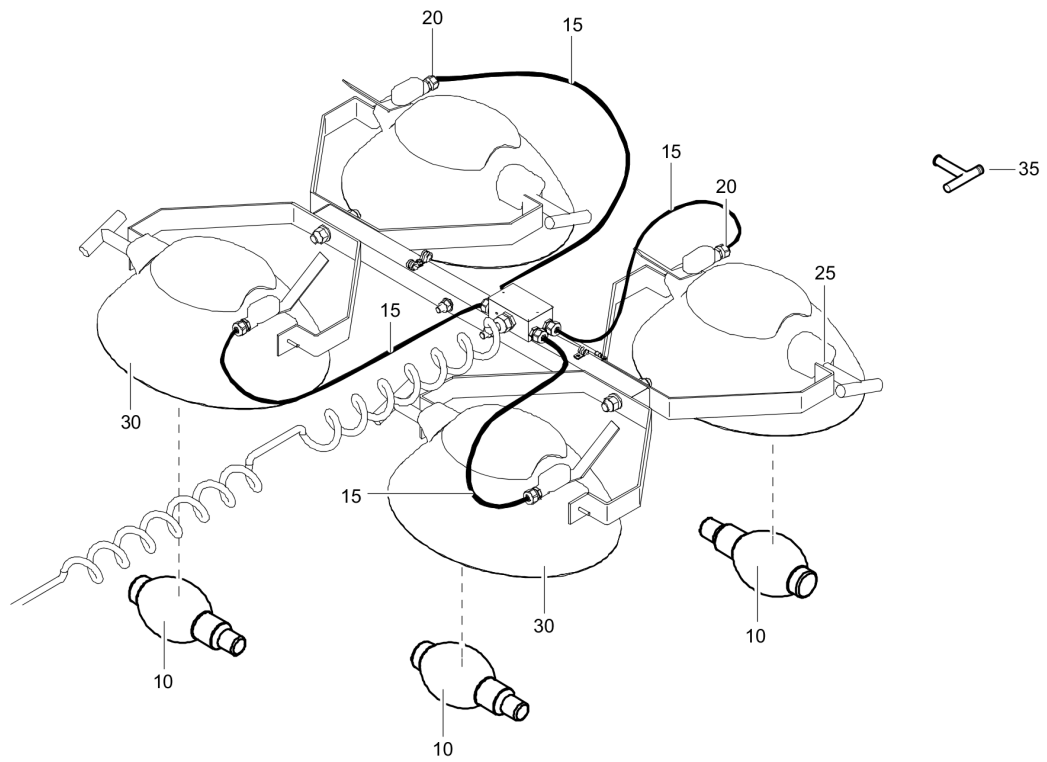
| Item | Part No. | Name | Qty | L |
|-----------|------------|---|-----|---|
| Not Shown | - | Gencool EG | AR | |
| A10 | 1626225701 | Coolant can 5 Liter/1.32 Gallon (concentrate) | 1 | |
| A20 | 1626225501 | Coolant can 5 Liter/1.32 Gallon | 1 | |
| A30 | 1626225601 | Coolant can 20 Liter/5.3 Gallon | 1 | |

Mechanical 1310072769_01 HDW assembly



| Item | Part No. | Name | Qty | L |
|------|------------|--------------------|-----|---|
| - | 1310072769 | Hdw assembly | - | |
| 35 | 1310072591 | Conduit nut 3/4" | 4 | |
| 40 | 1310072504 | Cord grip 3/4" npt | 1 | |
| 45 | 1310072505 | Cord grip 1/2" npt | 4 | |
| 50 | 1310072592 | Conduit nut 1/2" | 1 | |

Mechanical 1310072537_01 Floodlight assembly

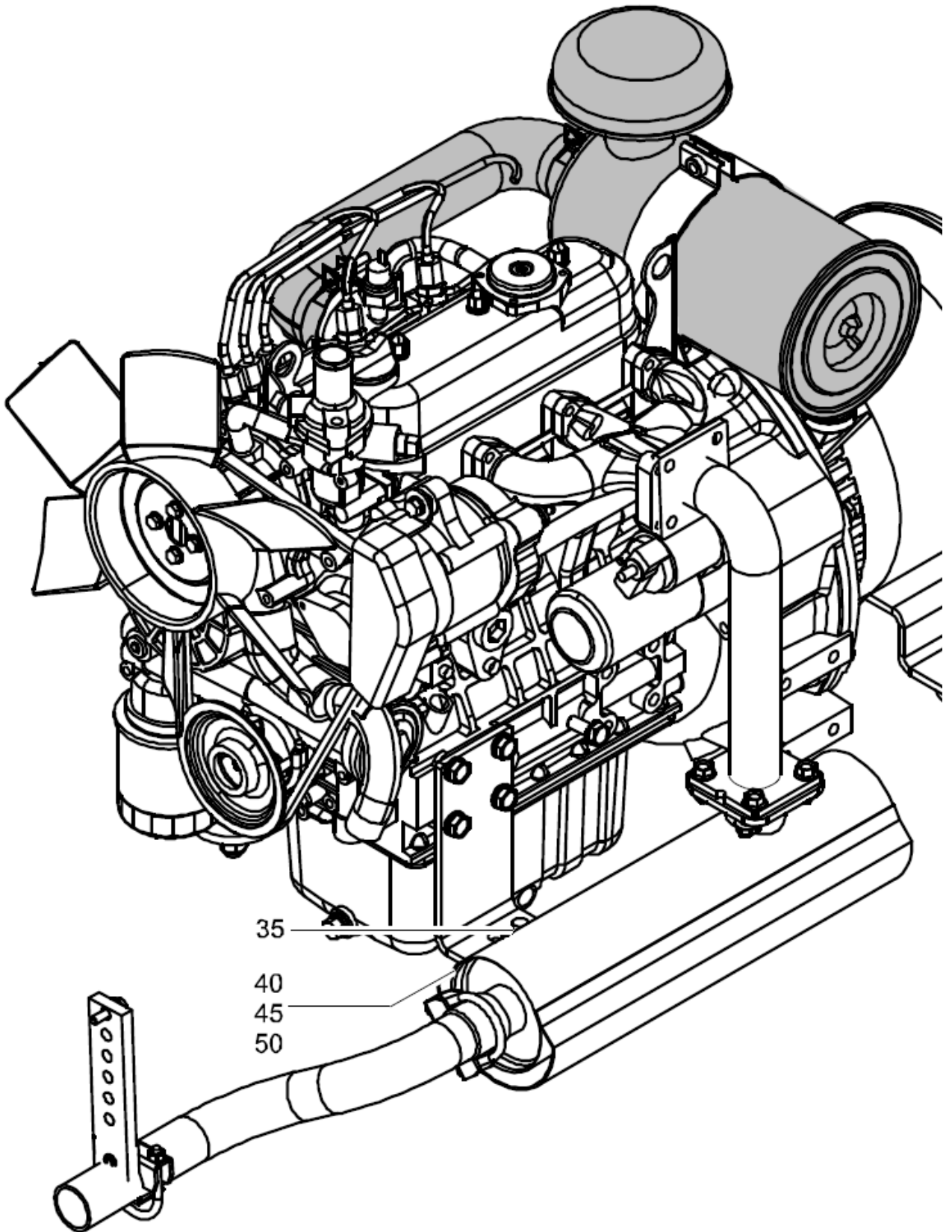


Refer to the Parts Online web page for most up-to-date information. The printed information might be outdated.

| Item | Part No. | Name | Qty | L |
|------|------------|---------------------|-----|---|
| - | 1310072537 | Floodlight assembly | - | |
| 10 | 1310072643 | Light bulb | 4 | |
| 15 | 1310072650 | Electrical cable | 1 | |
| 20 | 1310072505 | Cord grip 1/2" npt | 4 | |
| 25 | 1310072521 | Lockwasher | 1 | |
| 30 | 1310072623 | Light bulb | 1 | |
| 35 | 1310072612 | T-handle | 1 | |

Refer to the Parts Online web page for most up-to-date information. The printed information might be outdated.

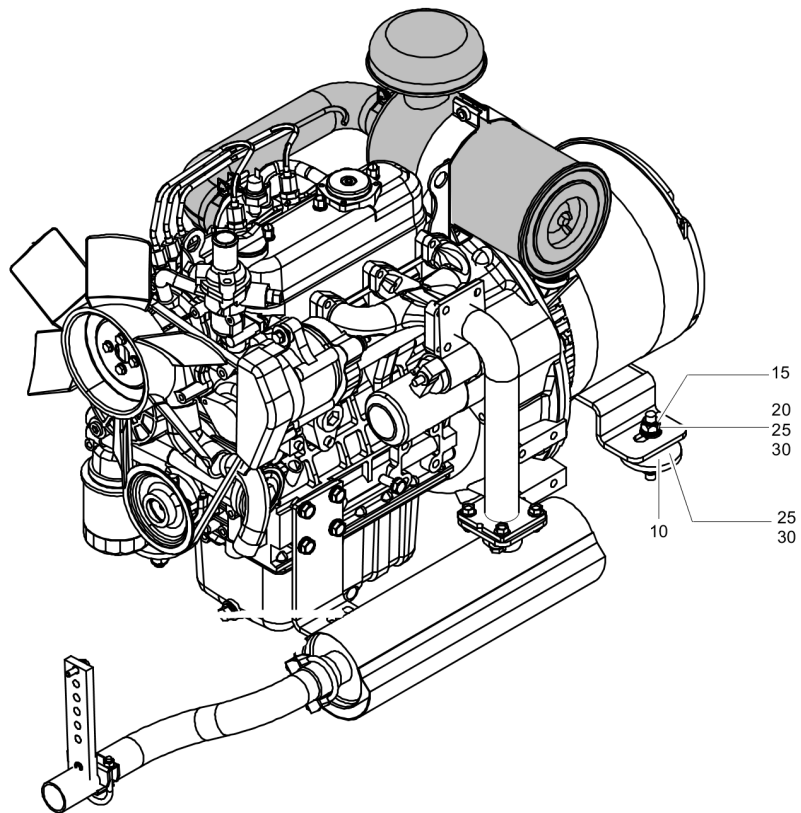
Mechanical 1310072808_01 HDW assembly



Refer to the Parts Online web page for most up-to-date information. The printed information might be outdated.

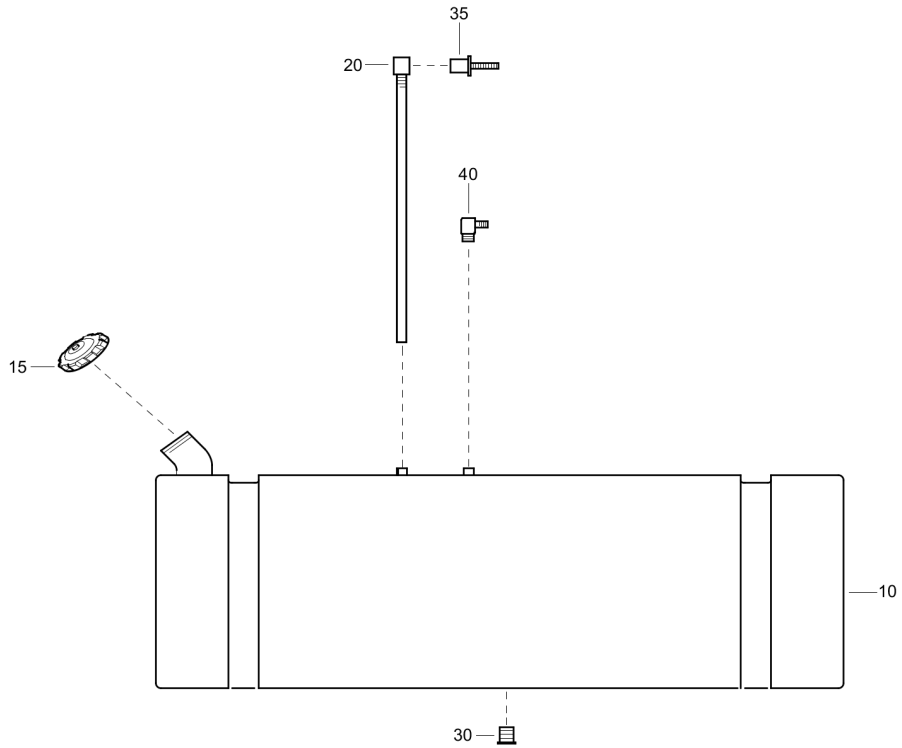
| Item | Part No. | Name | Qty | L |
|------|------------|------------------------|-----|---|
| - | 1310072808 | Engine mnt assembly | - | |
| 35 | 1310072653 | Flat washer | 2 | |
| 40 | 1310072664 | Lock washer | 2 | |
| 45 | 1310072733 | Hex screw | 4 | |
| 50 | 1310072795 | Vibration mount (blue) | 1 | |

Mechanical 1310072807_01 HDW assembly



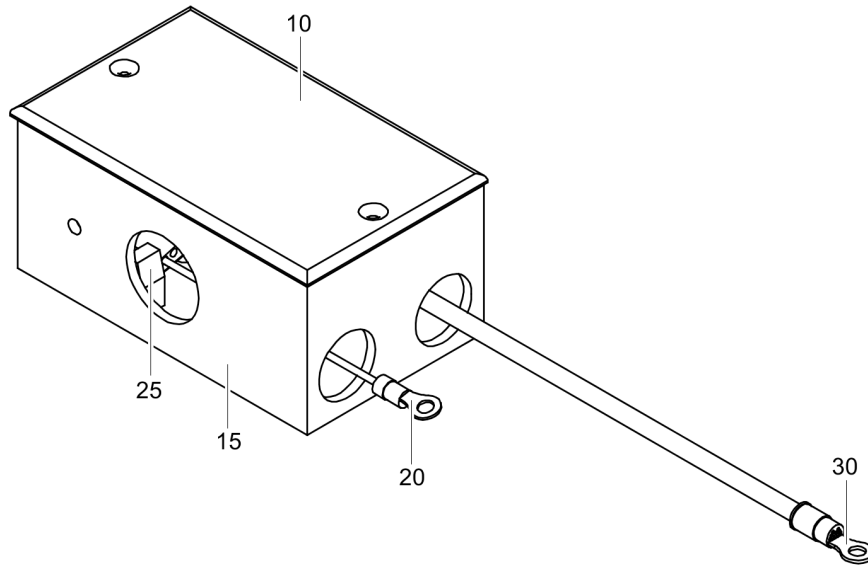
| Item | Part No. | Name | Qty | L |
|------|------------|-------------------------|-----|---|
| - | 1310072807 | HDW assembly | - | |
| 10 | 1310072628 | Vibration mount (green) | 2 | |
| 15 | 1310072640 | Hex nut | 4 | |
| 20 | 1310072652 | Flat washer | 1 | |
| 25 | 1310072653 | Flat washer | 4 | |
| 30 | 1310072664 | Lock washer | 4 | |

Mechanical 1310072624_01 Fuel tank assembly



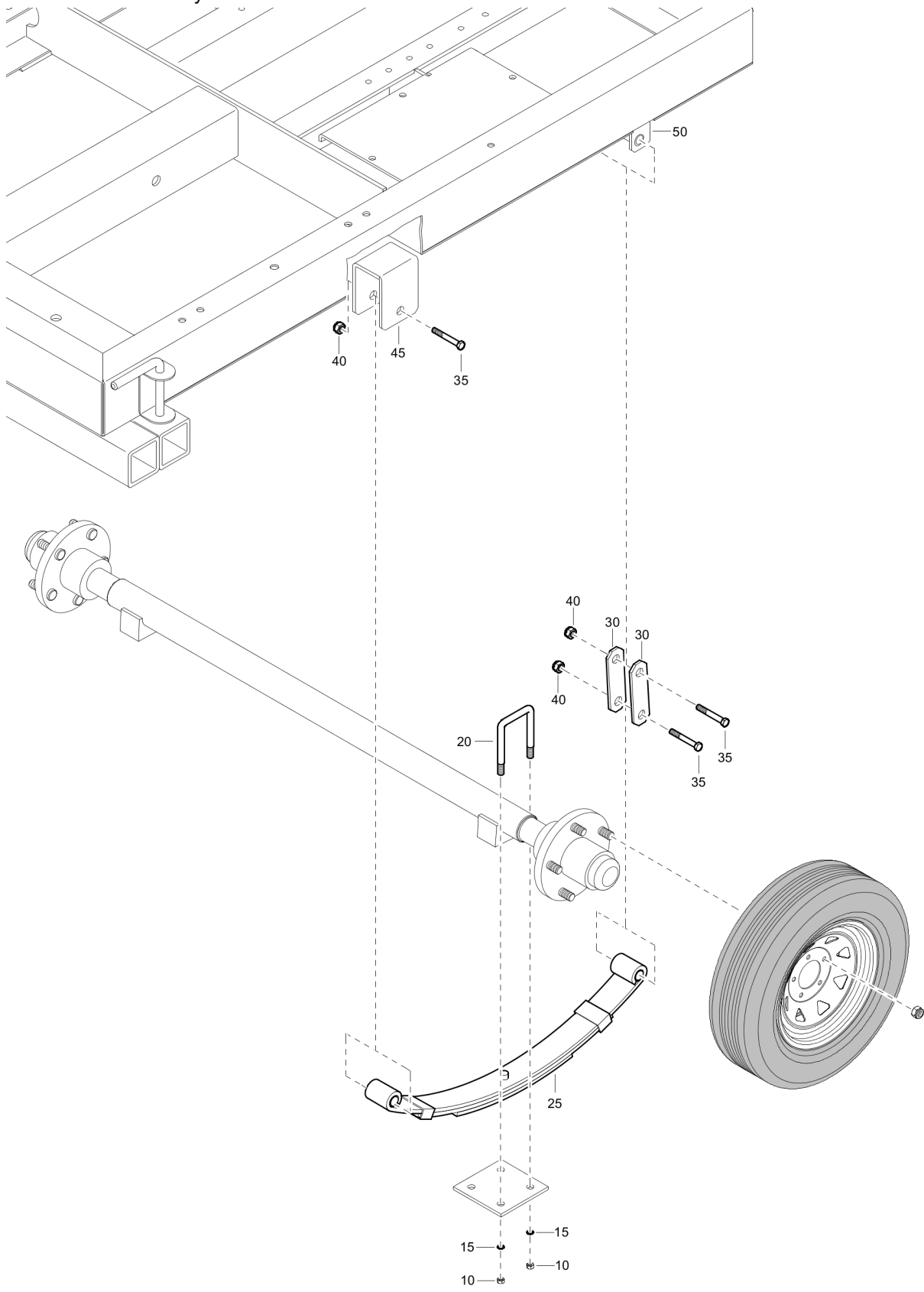
| Item | Part No. | Name | Qty | L |
|------|------------|----------------------|-----|---|
| - | 1310072624 | Fuel tank assembly | - | |
| 10 | 1310072625 | Fuel tank, 30 Gallon | 1 | |
| 15 | 1310072605 | Fuel cap, 3.5 | 1 | |
| 20 | 1310072581 | Stand pipe | 1 | |
| 30 | 1310072552 | Brass plug fitting | 1 | |
| 35 | 1310072515 | Barb fitting | 1 | |
| 40 | 1310072514 | Elbow fitting | 1 | |

Mechanical 1310072768_01 Gang box assembly



| Item | Part No. | Name | Qty | L |
|------|------------|----------------------|-----|---|
| - | 1310072768 | Gang box assembly | - | |
| 10 | 1310072503 | Cover and gasket | 1 | |
| 15 | 1310072533 | Gang box | 1 | |
| 20 | 1310072674 | Closed end connector | 1 | |
| 25 | 1310072693 | 5 position connector | 8 | |
| 30 | 1310072694 | Ground wire assembly | 1 | |

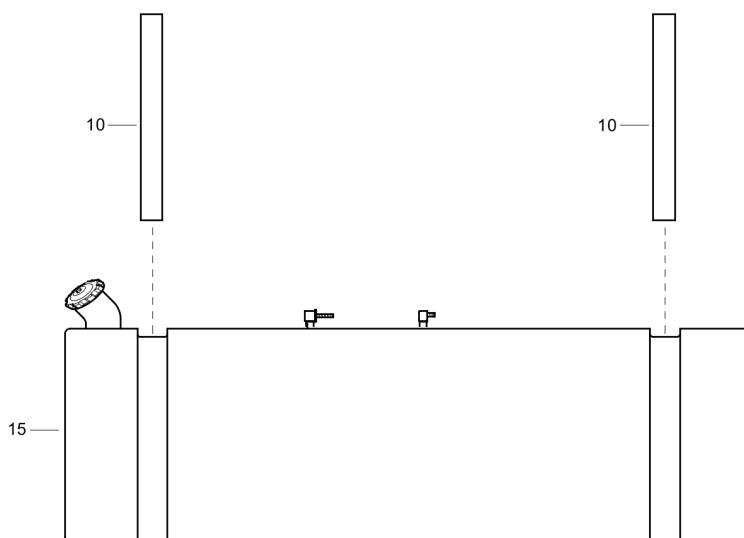
Mechanical Axle assembly



Refer to the Parts Online web page for most up-to-date information. The printed information might be outdated.

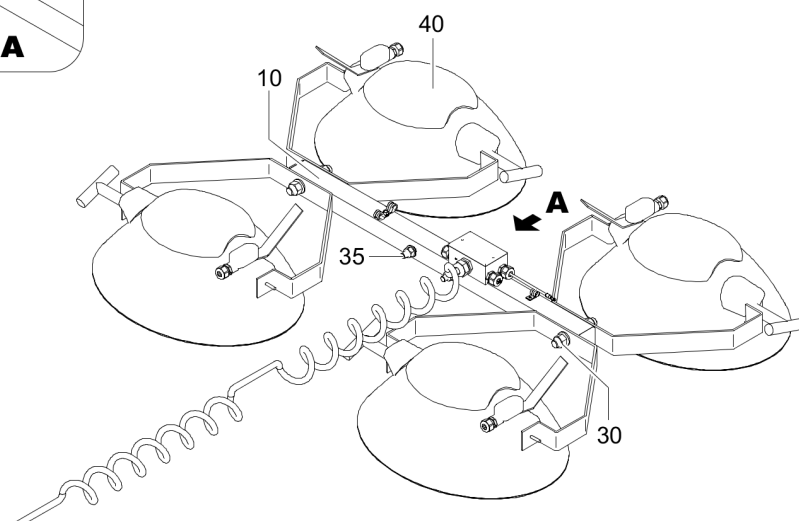
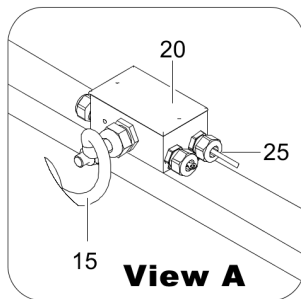
| Item | Part No. | Name | Qty | L |
|------|------------|-------------------|-----|---|
| - | 1310072593 | Axle assembly | - | |
| 10 | 1310072709 | Axle nut | 8 | |
| 15 | 1310072710 | Washer | 8 | |
| 20 | 1310072711 | U-bolt | 4 | |
| 25 | 1310072712 | Axle spring | 2 | |
| 30 | 1310072713 | Shackle strap | 4 | |
| 35 | 1310072714 | Hex bolt | 6 | |
| 40 | 1310072715 | Axle nut | 6 | |
| 45 | 1310072546 | Front axle hanger | 2 | |
| 50 | 1310072547 | Rear axle hanger | 2 | |

Mechanical Fuel tank assembly



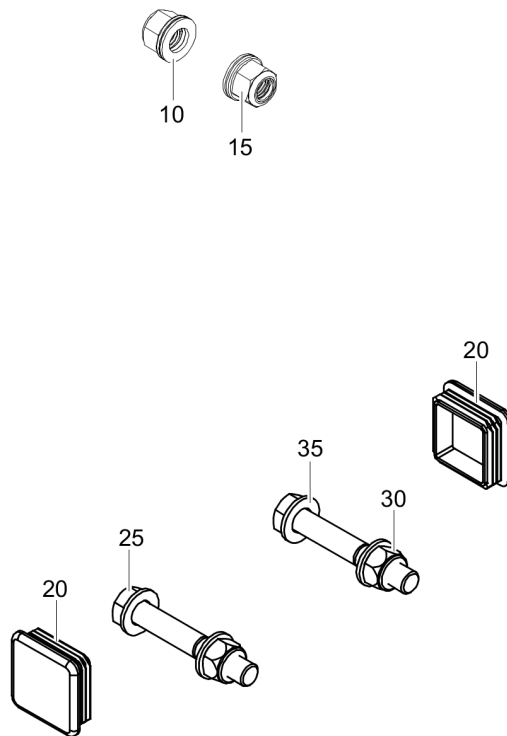
| Item | Part No. | Name | Qty | L |
|------|------------|--------------------|-----|---|
| 10 | 1310072736 | Fuel tank strap | 2 | |
| 15 | 1310072624 | Fuel tank assembly | 1 | |

Mechanical Floodlight assembly



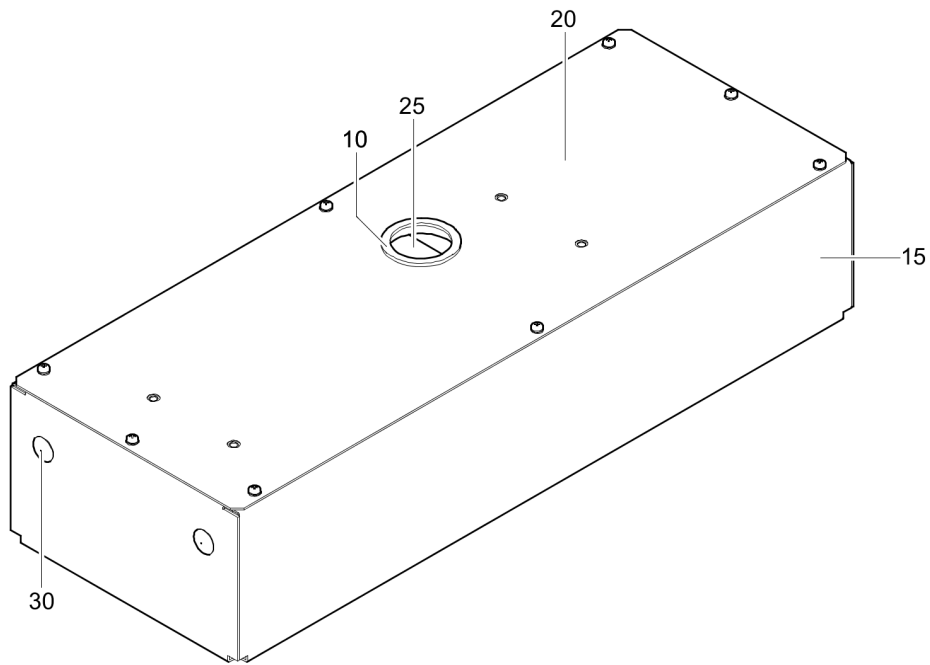
| Item | Part No. | Name | Qty | L |
|------|------------|-------------------------|-----|---|
| 10 | 1310072626 | T-bar weldment | 2 | |
| 15 | 1310072673 | Coil cord | 1 | |
| 20 | 1310072768 | Gang box assembly | 1 | |
| 25 | 1310072769 | Hdw assembly | 1 | |
| 30 | - | Light hardware assembly | 1 | |
| 35 | - | T-bar hardware assembly | 1 | |
| 40 | 1310072537 | Floodlight assembly | 4 | |

Mechanical HDW assembly



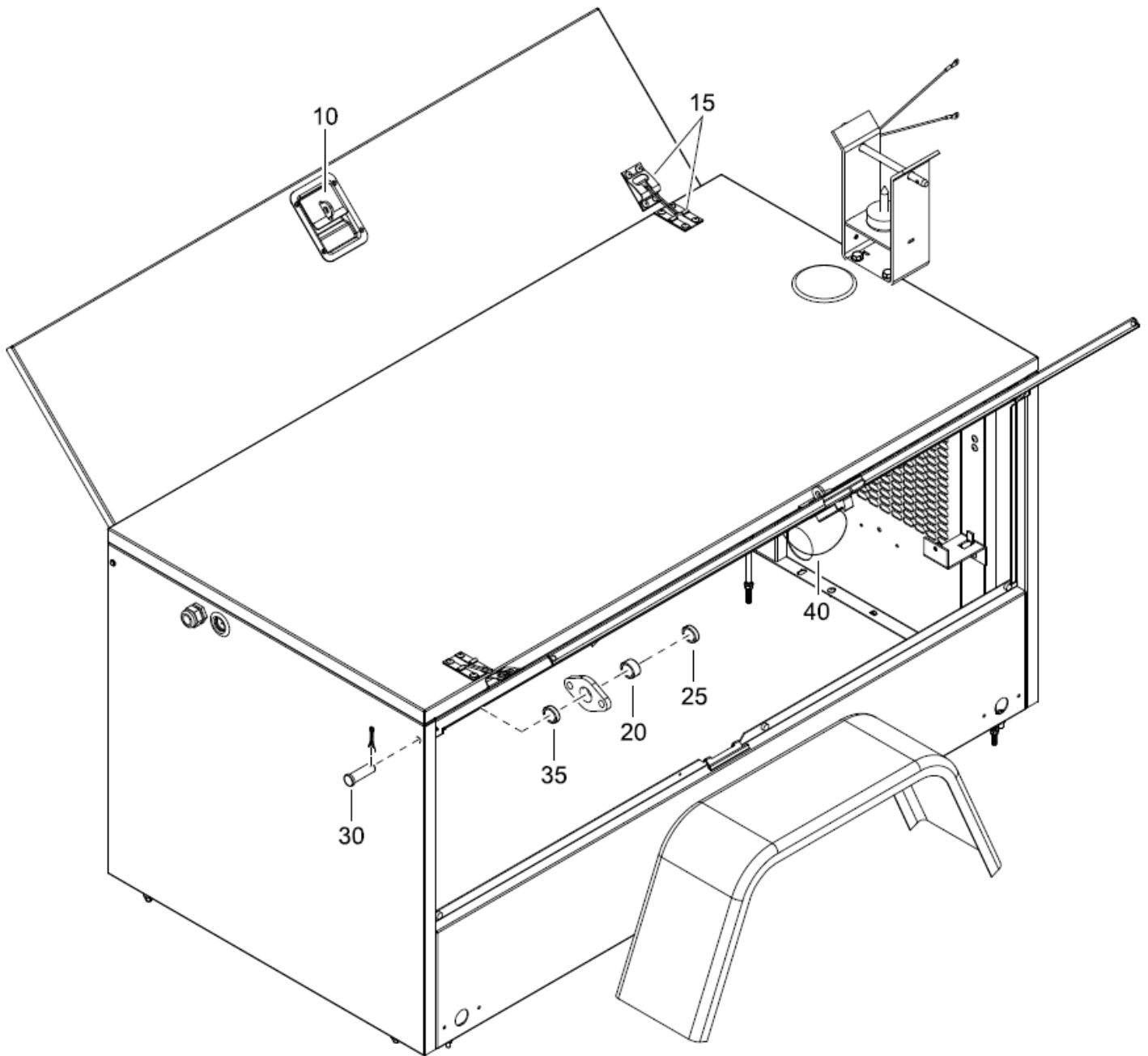
| Item | Part No. | Name | Qty | L |
|------|--------------------|--------------|-----|---|
| - | QLTM10HDW assembly | HDW assembly | - | |
| 10 | 1310072659 | Flat washer | 8 | |
| 15 | 1310072851 | Hex nut | 4 | |
| - | QLTM10HDW assembly | HDW assembly | - | |
| 20 | 1310072556 | Plastic plug | 2 | |
| 25 | 1310072639 | Hex screw | 2 | |
| 30 | 1310072642 | Hex nut | 2 | |
| 35 | 1310072654 | Flat washer | 4 | |

Mechanical Ballast box assembly



| Item | Part No. | Name | Qty | L |
|------|------------|-----------------------------|-----|---|
| 10 | 1310072548 | Snap bushing | 1 | |
| 15 | 1310072740 | Ballast box, 50-60 Hz | 1 | |
| 20 | 1310000000 | Hole plug | 1 | |
| 25 | 1310072606 | Ballast, 1 KW, 60 Hz, 120 V | 4 | |
| 30 | 1310000000 | Hole plug | 4 | |

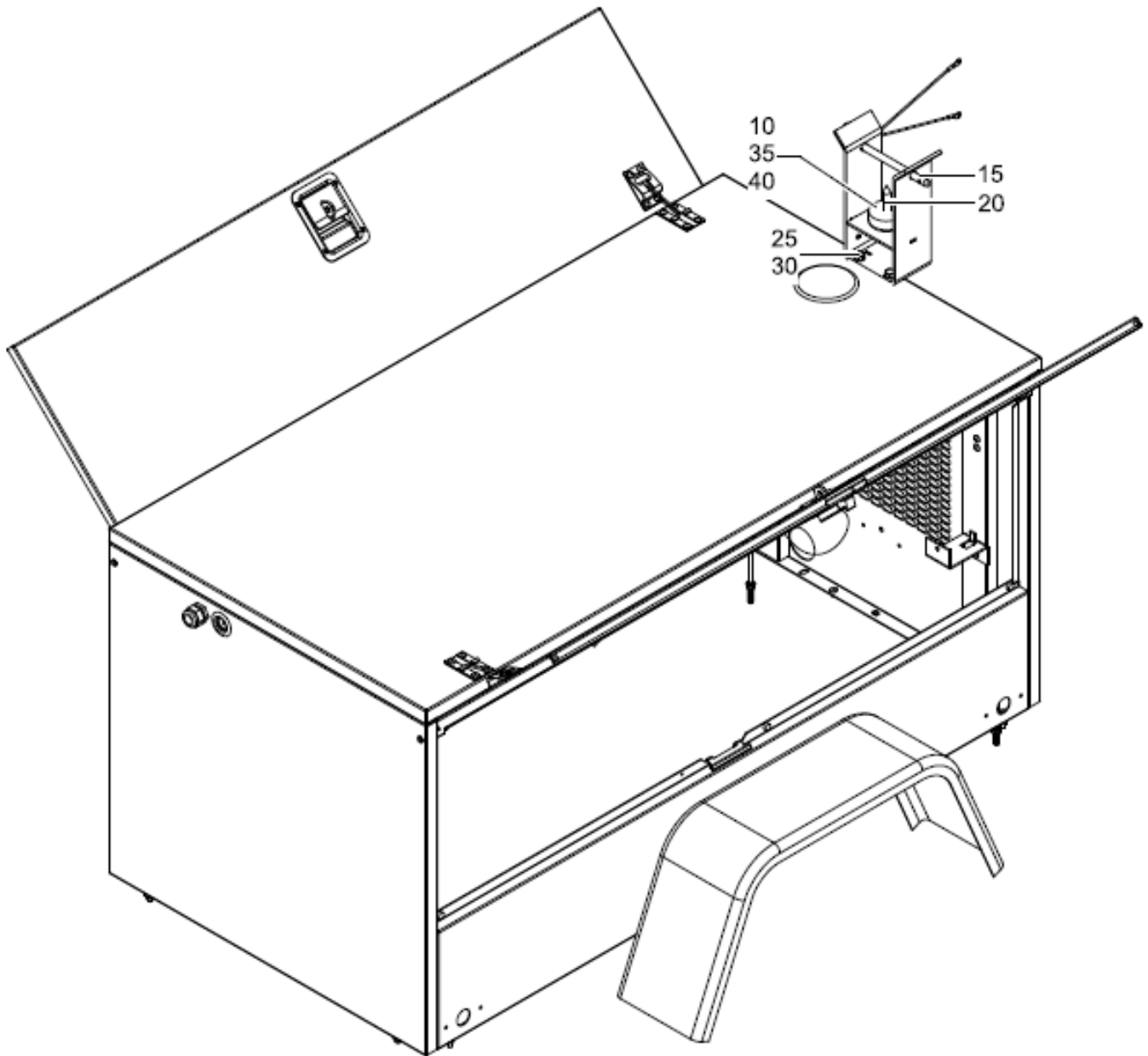
Mechanical Body door hdw assembly



Refer to the Parts Online web page for most up-to-date information. The printed information might be outdated.

| Item | Part No. | Name | Qty | L |
|-----------|--------------|------------------------|-----|---|
| Not Shown | - | BODY DOOR HDW ASSEMBLY | - | |
| 10 | 1310 0725 64 | Slam latch | 1 | |
| 15 | 1310 0725 80 | Door holder | 1 | |
| 20 | 1310 0726 79 | Bushing | 2 | |
| 25 | 1310 0726 80 | Spacer | 2 | |
| 30 | 1310 0726 82 | Pin | 2 | |
| 35 | 1310 0726 83 | Spacer | 2 | |
| 40 | 1310 0726 87 | Wire assy | 1 | |

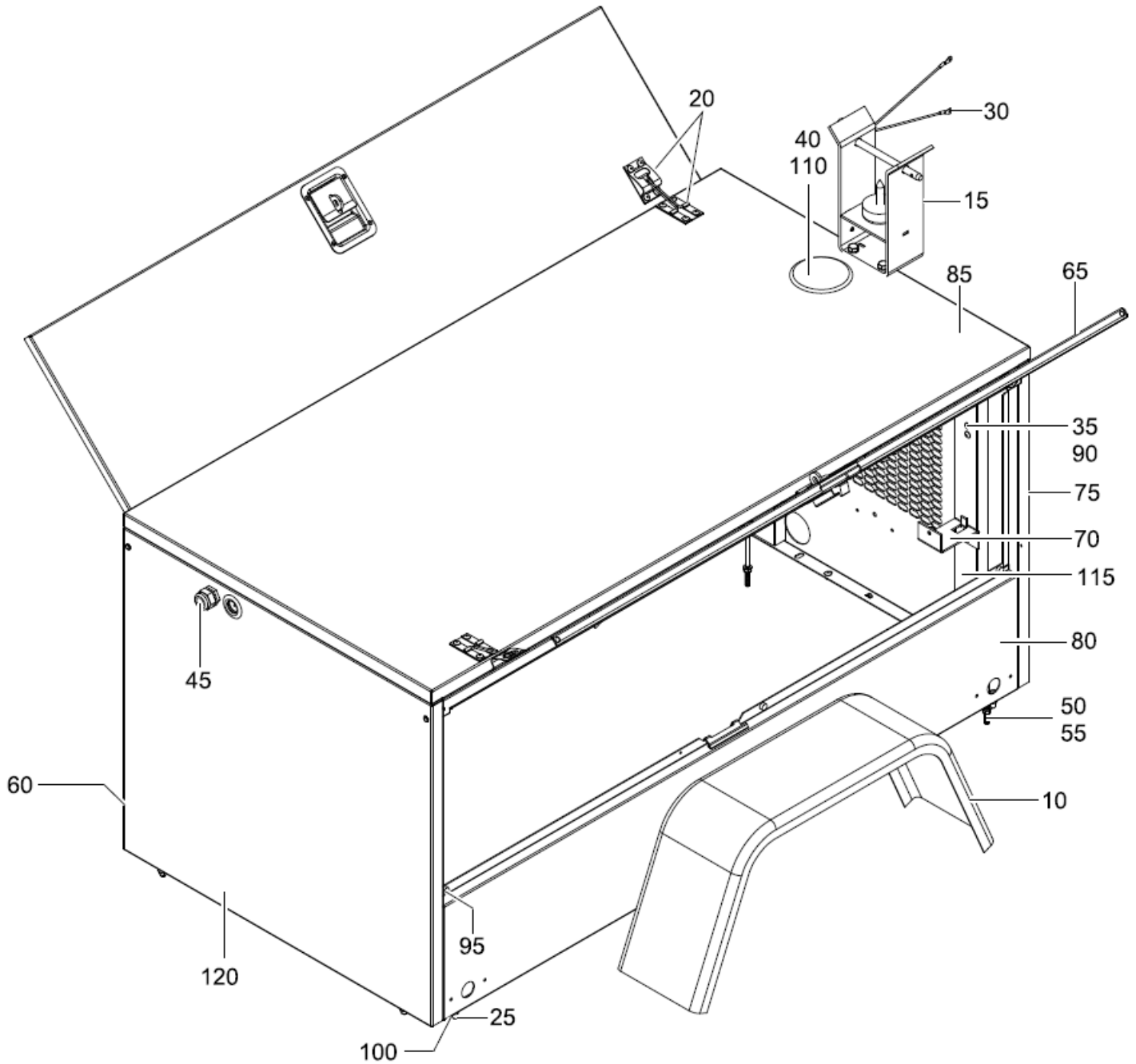
Mechanical Body cradle hdw assembly



Refer to the Parts Online web page for most up-to-date information. The printed information might be outdated.

| Item | Part No. | Name | Qty | L |
|-----------|------------|------------------------|-----|---|
| Not Shown | - | Body door hdw assembly | - | |
| 10 | 1310072564 | Slam latch | 1 | |
| 15 | 1310072580 | Door holder | 1 | |
| 20 | 1310072679 | Bushing | 2 | |
| 25 | 1310072680 | Spacer | 2 | |
| 30 | 1310072682 | Pin | 2 | |
| 35 | 1310072683 | Spacer | 2 | |
| 40 | 1310072687 | Wire assy | 1 | |

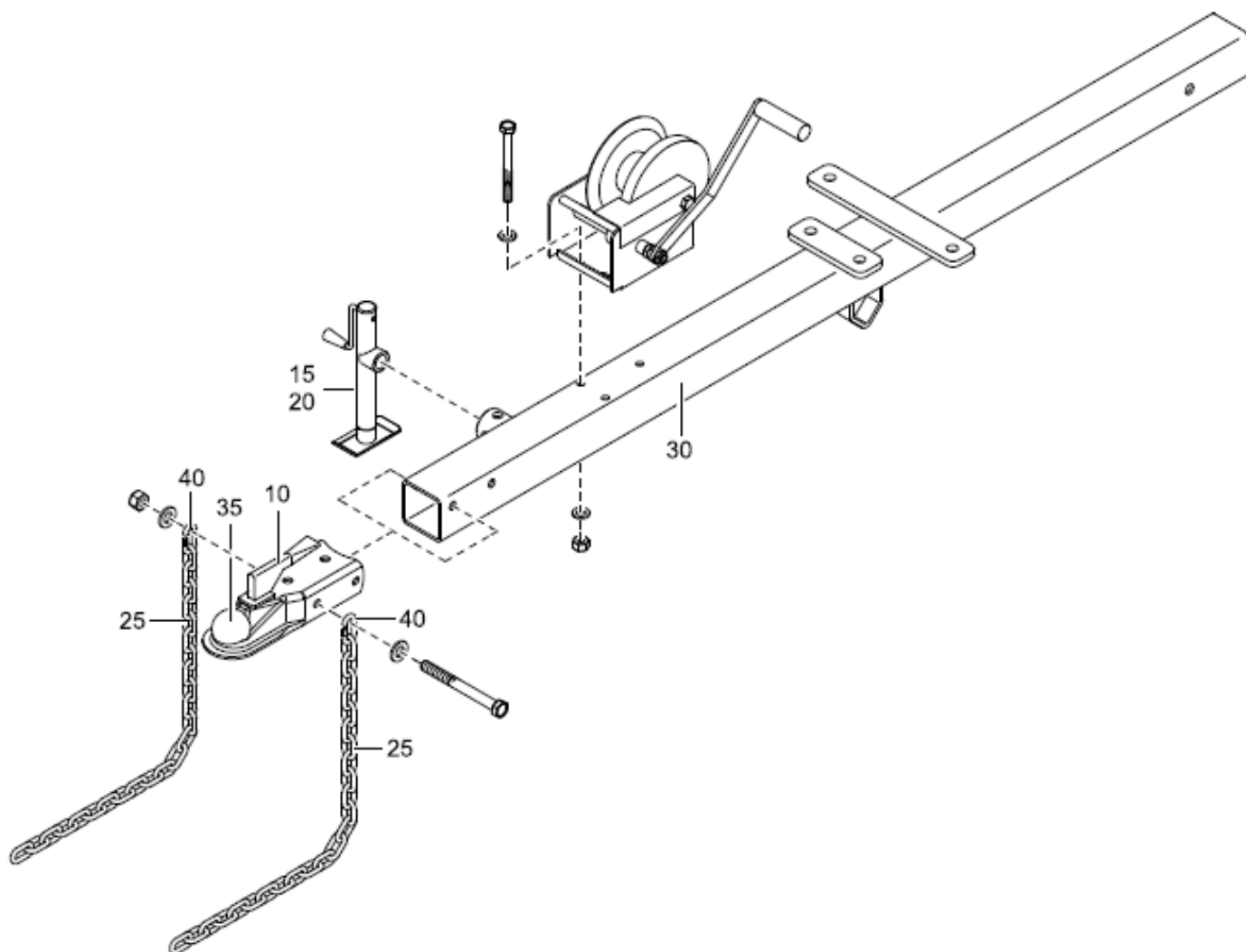
Mechanical Body assembly



Refer to the Parts Online web page for most up-to-date information. The printed information might be outdated.

| Item | Part No. | Name | Qty | L |
|------|------------|-------------------------------------|-----|---|
| 10 | 1310072538 | Wheel fender | 2 | |
| 15 | 1310072589 | Tower cradle | 1 | |
| 20 | - | Body door, hdw assy | 2 | |
| 25 | - | Body side, hdw assy | 2 | |
| 30 | - | Body cradle, hdw assy | 1 | |
| 35 | - | Overflow bottle, hdw assy | 1 | |
| 40 | - | Hdw assy | 1 | |
| 45 | - | Front body, hdw assy | 1 | |
| 50 | - | Rear body, hdw assy | 1 | |
| 55 | 1310072681 | Bushing | 4 | |
| 60 | 1310072786 | Side panel-left hand | 1 | |
| 65 | 1310072823 | Panel,body,wltc,door,sq,reda | 2 | |
| 70 | 1310072810 | Overflow bottle | 1 | |
| 75 | 1310072819 | Panel,body,wltc,rear,sq,reda | 1 | |
| 80 | 1310072789 | Side panel-right hand | 1 | |
| 85 | 1310072825 | Panel,body,wltc,top,sq,rigid,reda 1 | | |
| 90 | 1310072565 | Bumper | 1 | |
| 95 | 1310072560 | Bumper | 3 | |
| 100 | 1310072677 | Latch bracket | 1 | |
| 110 | 1310072667 | Plug | 1 | |
| 115 | 1310072728 | Tower support | 1 | |
| 120 | 1310072821 | Panel,body,wltc,front,sq,reda | 1 | |

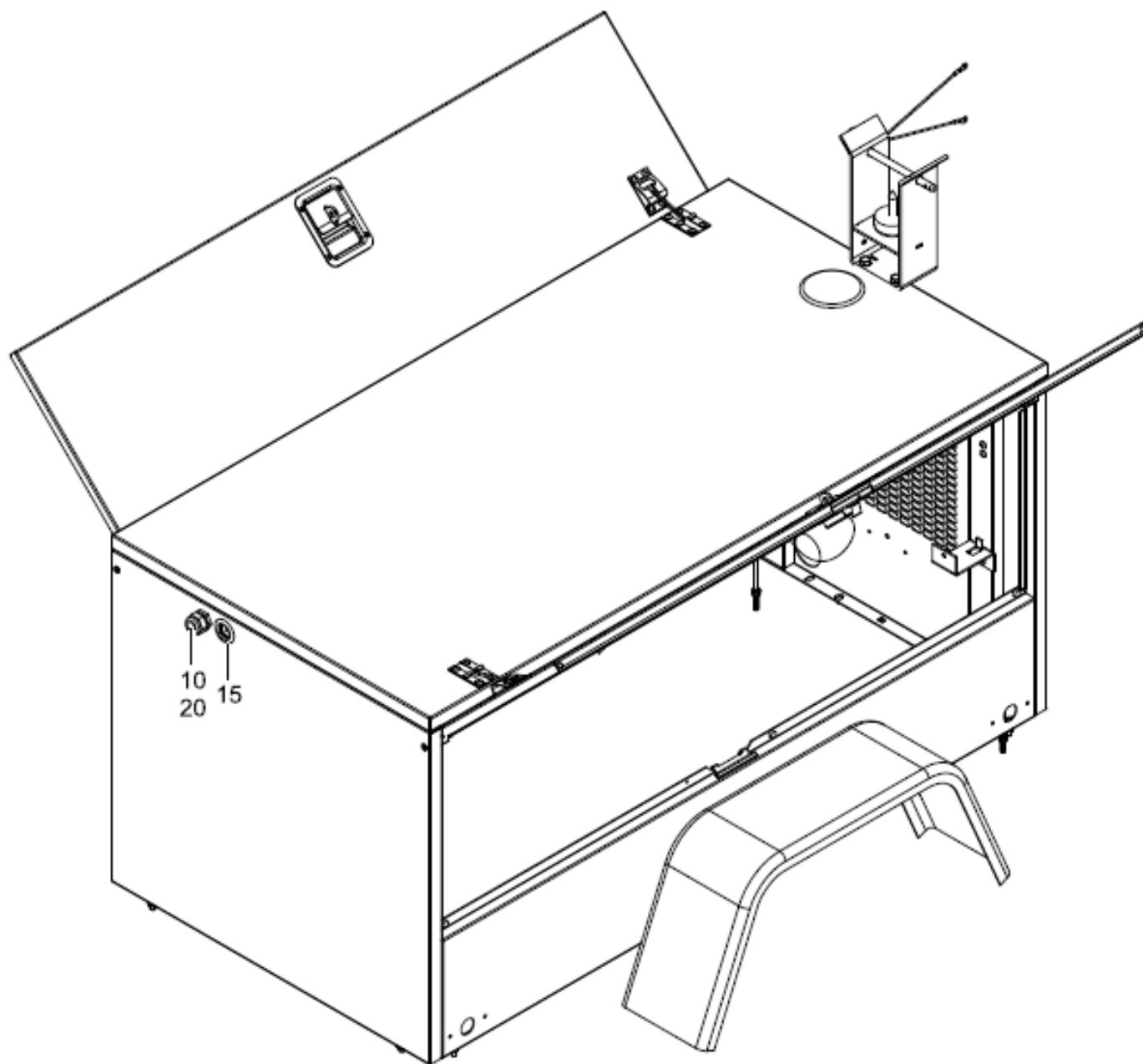
Mechanical Drawbar assembly



Refer to the Parts Online web page for most up-to-date information. The printed information might be outdated.

| Item | Part No. | Name | Qty | L |
|------|------------|-------------------------------------|-----|---|
| 10 | 1310072535 | Ball hitch | 1 | |
| 15 | 1310072541 | Swivel jack, side wind | 1 | |
| 20 | 1310072561 | Snap ring | 1 | |
| 25 | 1310072579 | Chain assembly | 2 | |
| 30 | 1310072597 | Drawbar | 1 | |
| 35 | 1310072616 | Ball hitch bracket | 1 | |
| 40 | - | Winch manual drawbar assembly | 1 | |
| 45 | - | Winch drawbar assembly | 1 | |
| 50 | - | Hdw drawbar standard assembly | 1 | |
| 55 | - | Hdw drawbar hitch standard assembly | 1 | |

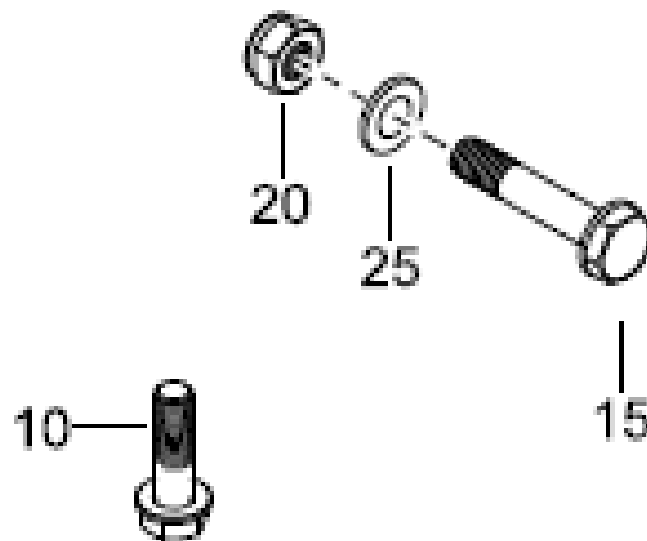
Mechanical Front body hdw assembly



Refer to the Parts Online web page for most up-to-date information. The printed information might be outdated.

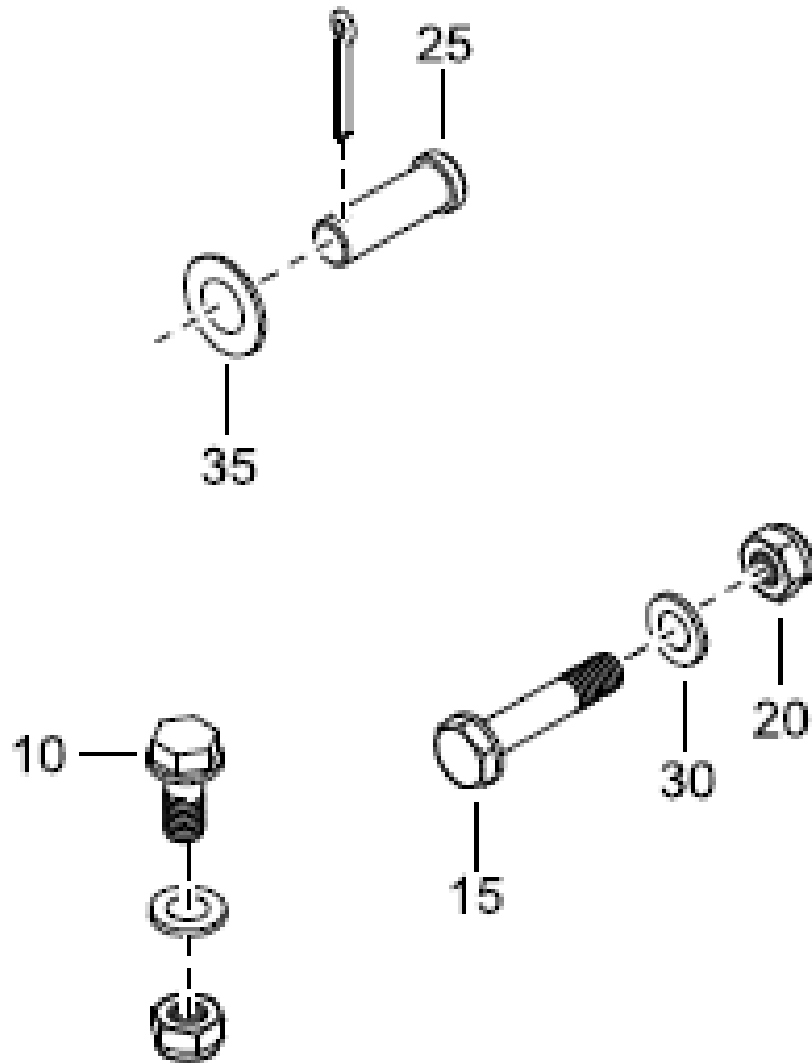
| Item | Part No. | Name | Qty | L |
|-----------|--------------|-------------------------|-----|---|
| Not Shown | - | Front body hdw assembly | - | |
| 10 | 1310 0725 04 | Cord grip | 1 | |
| 15 | 1310 0726 56 | Plastic plug | 1 | |
| 20 | 1310 0726 81 | Bushing | 4 | |

Mechanical Hdw drawbar standard assembly



| Item | Part No. | Name | Qty | L |
|-----------|------------|-------------------------------|-----|---|
| Not Shown | - | Hdw drawbar standard assembly | - | |
| 10 | 1310072637 | Hex screw | 1 | |
| 15 | 1310072638 | Hex screw | 2 | |
| 20 | 1310072642 | Hex nut | 3 | |
| 25 | 1310072654 | Flat washer | 6 | |

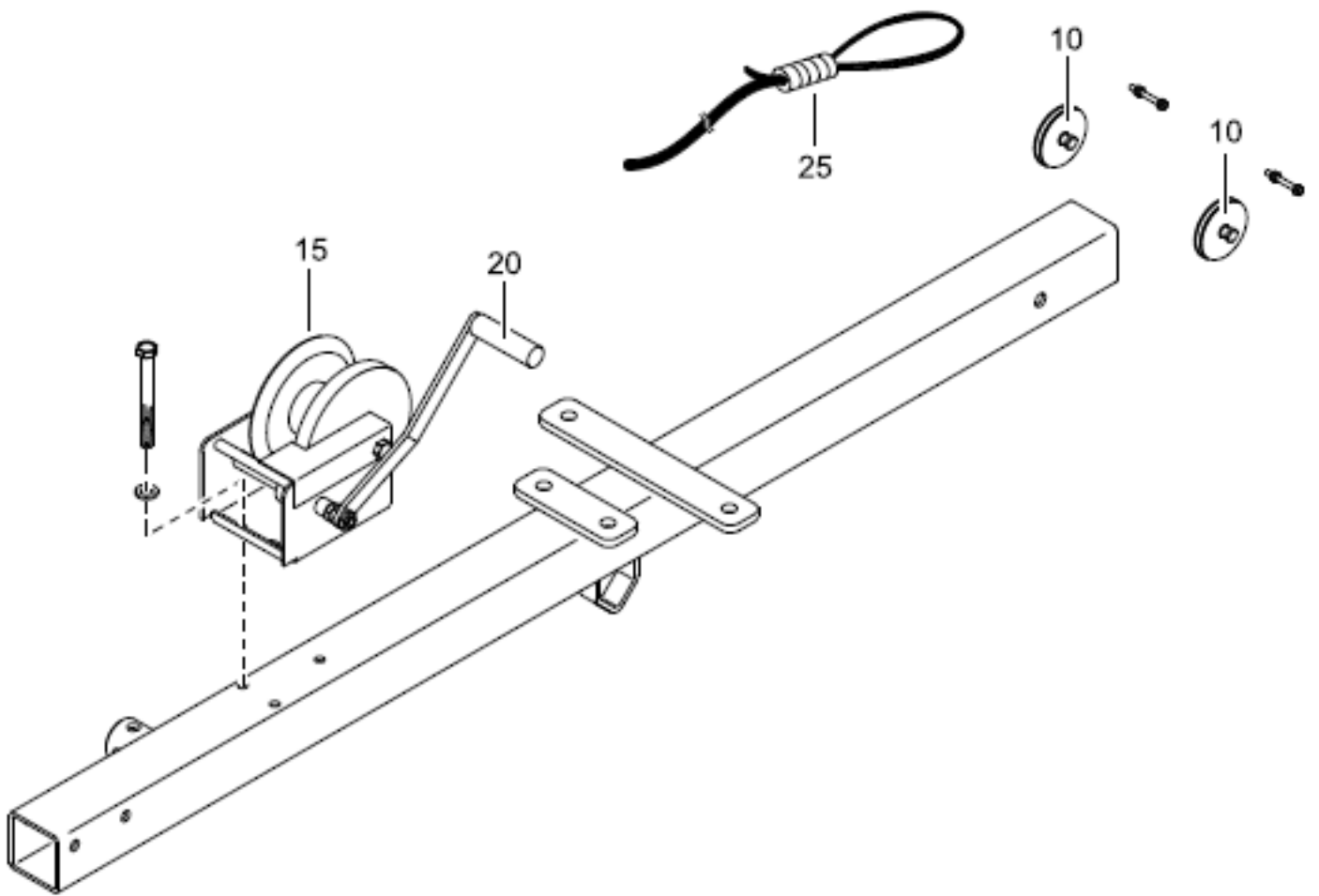
Mechanical Winch drawbar assembly



| Item | Part No. | Name | Qty | L |
|-----------|------------|------------------------|-----|---|
| Not Shown | - | Winch drawbar assembly | - | |
| 10 | 1310072632 | Hex screw | 3 | |
| 15 | 1310072634 | Hex screw | 1 | |
| 20 | 1310072647 | Hex nut | 4 | |
| 25 | 1310072649 | Pin | 1 | |
| 30 | 1310072652 | Flat washer | 8 | |
| 35 | 1310072654 | Flat washer | 1 | |

Refer to the Parts Online web page for most up-to-date information. The printed information might be outdated.

Mechanical Winch manual drawbar assembly



Refer to the Parts Online web page for most up-to-date information. The printed information might be outdated.

| Item | Part No. | Name | Qty | L |
|-----------|------------|-------------------------------|-----|---|
| Not Shown | - | Winch manual drawbar assembly | - | |
| 10 | 1310072507 | Single groove pulley | 1 | |
| 15 | 1310072524 | Crank winch | 1 | |
| 20 | 1310072526 | Handle | 1 | |
| 25 | 1310072860 | Cable assy | 1 | |

Mechanical Decal assembly

The image displays a variety of mechanical decals for a machine, organized by function and location. The decals include:

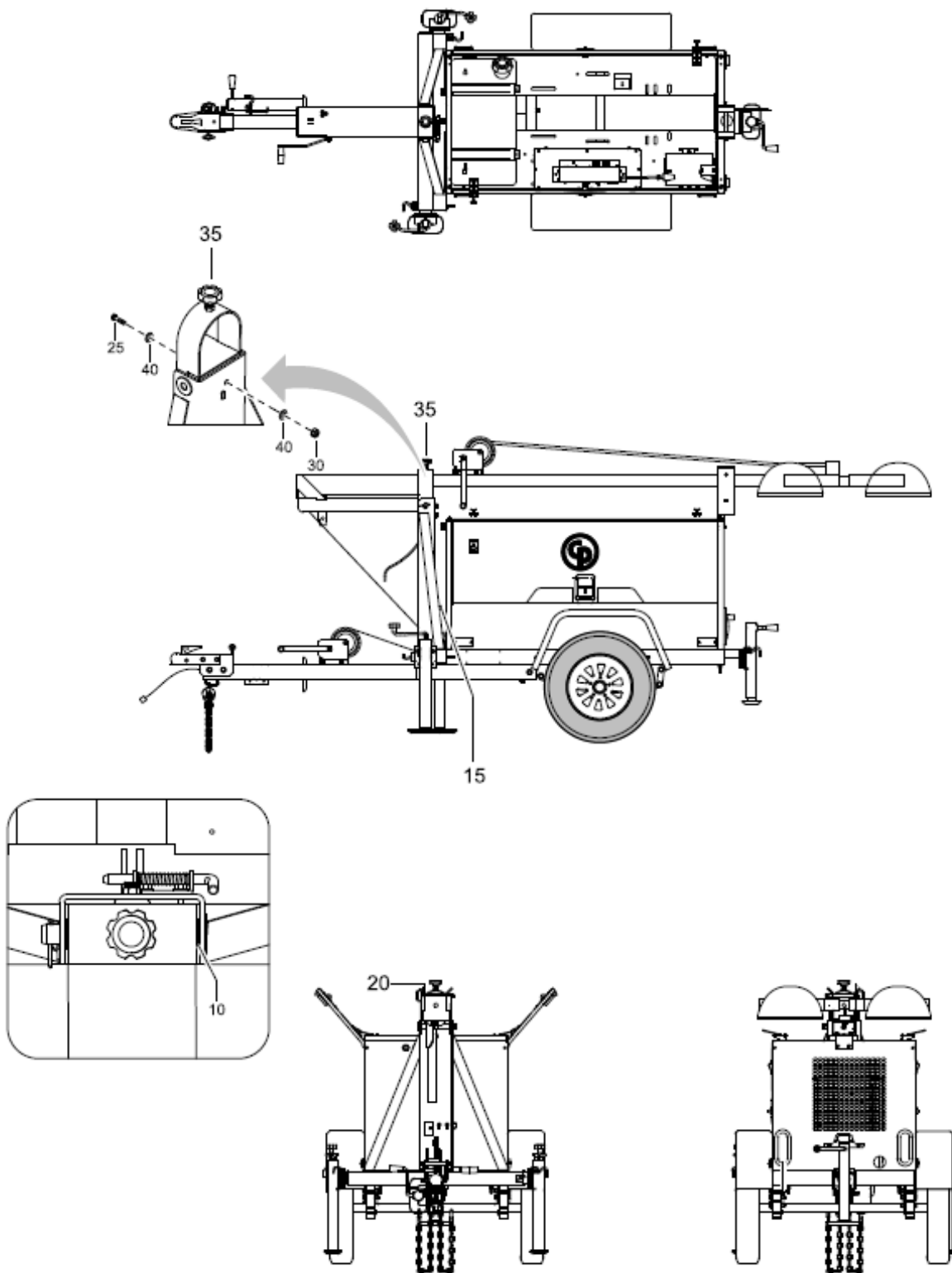
- Warning Labels:** Multiple labels with symbols and text in English, Spanish, and French, such as "DANGER DIESEL", "HIGH VOLTAGE", "CAUTION Avoid damage to panel", and "WARNING COMPLETELY LOWER POWER BEFORE TILTING MAST".
- Safety Instructions:** Labels like "RECOMMENDED TIRE PRESSURE 35 PSI" and "TOWING INSTRUCTIONS" in multiple languages.
- Technical Diagrams:** Diagrams showing mast operation, hydraulic systems, and component locations, often with red arrows indicating movement or points of interest.
- Identification Labels:** Simple symbols and text like "M10-1 TO STUD" and "COOLANT OVERFLOW BOTTLE ONLY".

Each decal is accompanied by a numerical label (e.g., 10, 15, 30, 40, 50, 55, 60, 65, 70, 75, 80, 85, 90, 95, 100, 105, 110, 115, 120, 125, 130, 135, 140, 145, 150, 155) indicating its specific part number or location on the machine.

Refer to the Parts Online web page for most up-to-date information. The printed information might be outdated.

| Item | Part No. | Name | Qty | L |
|------|------------|-----------------------------------|-----|---|
| 10 | 1310072508 | Reflector-red,rect | 3 | |
| 15 | 1310072566 | Decal-grounding stud | 1 | |
| 20 | 1310072567 | Decal-towing instr.. | 1 | |
| 25 | 1310072568 | Decal-lift hook. | 2 | |
| 30 | 1310072569 | Decal-danger, overhead. | 1 | |
| 35 | 1310072570 | Decal-warning, stand clear, wltc1 | | |
| 40 | 1310072571 | Decal-warning,secure m. | 1 | |
| 45 | 1310072572 | Decal-warning,lower to. | 1 | |
| 50 | 1310072573 | Decal-danger,asphyxiat. | 1 | |
| 55 | 1310072574 | Decal-warning,uv radiat. | 1 | |
| 60 | 1310072575 | Decal-danger, diesel. | 1 | |
| 65 | 1310072576 | Decal-danger,elec.stor. | 1 | |
| 70 | 1310072577 | Decal-warning,aviod cru. | 2 | |
| 75 | 1310072578 | Decal-warning,hot,horiz. | 1 | |
| 80 | 1310072617 | Decal-oper.instr.raise twr | 1 | |
| 85 | 1310072618 | Decal-oper.instr.lower twr | 1 | |
| 90 | 1310072619 | Decal-before starting, | 1 | |
| 95 | 1310072620 | Decal-danger,falling mast | 1 | |
| 100 | 1310072662 | Decal-coolant recovery | 1 | |
| 105 | 1310072666 | Decal-coolant recovery | 2 | |
| 110 | 1310072678 | Decal-no pressure wash | 1 | |
| 115 | 1310072688 | Decal-ground symbol | 3 | |
| 120 | 1310072697 | Decal-lights,ltc4 trl. | 1 | |
| 125 | 1310072735 | Decal-danger high voltage | 1 | |
| 130 | 1310072745 | Decal,caution | 2 | |
| 135 | 1310072778 | Decal,top caution | 1 | |
| 140 | 1310072779 | Decal,door left caution | 1 | |
| 145 | 1310072780 | Decal,door right caution | 1 | |
| 150 | 1310072797 | Decal,tire pressure | 2 | |
| 155 | 1310072826 | Decale | 2 | |

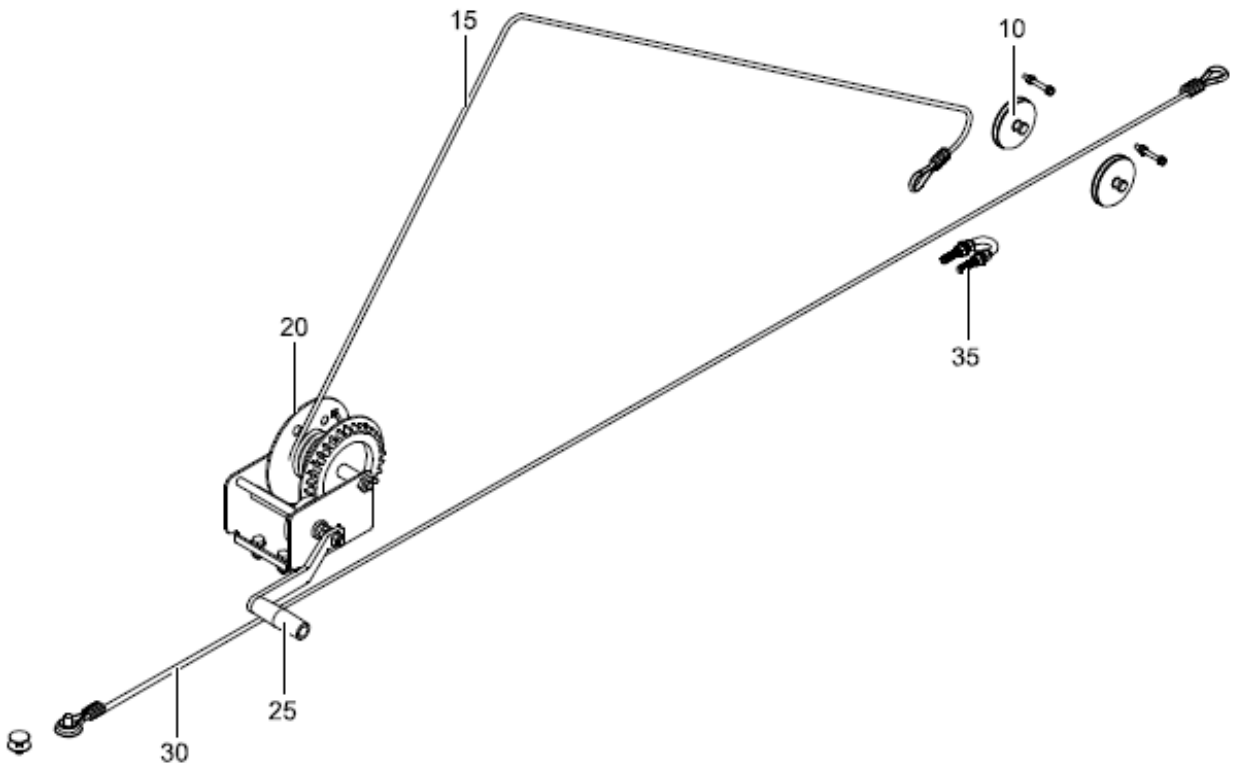
Mechanical Frame,swivel base hdw assembly



Refer to the Parts Online web page for most up-to-date information. The printed information might be outdated.

| Item | Part No. | Name | Qty | L |
|-----------|------------|--------------------------------|-----|---|
| Not Shown | - | Frame,swivel base hdw assembly | - | |
| 10 | 1310072509 | Bushing | 5 | |
| 15 | 1310072516 | Latch | 1 | |
| 20 | 1310072532 | Swivel base pin | 1 | |
| 25 | 1310072720 | Hex screw | 2 | |
| 30 | 1310072640 | Hex nut | 2 | |
| 35 | 1310072651 | Knob-fluted | 1 | |
| 40 | 1310072653 | Flat washer | 4 | |

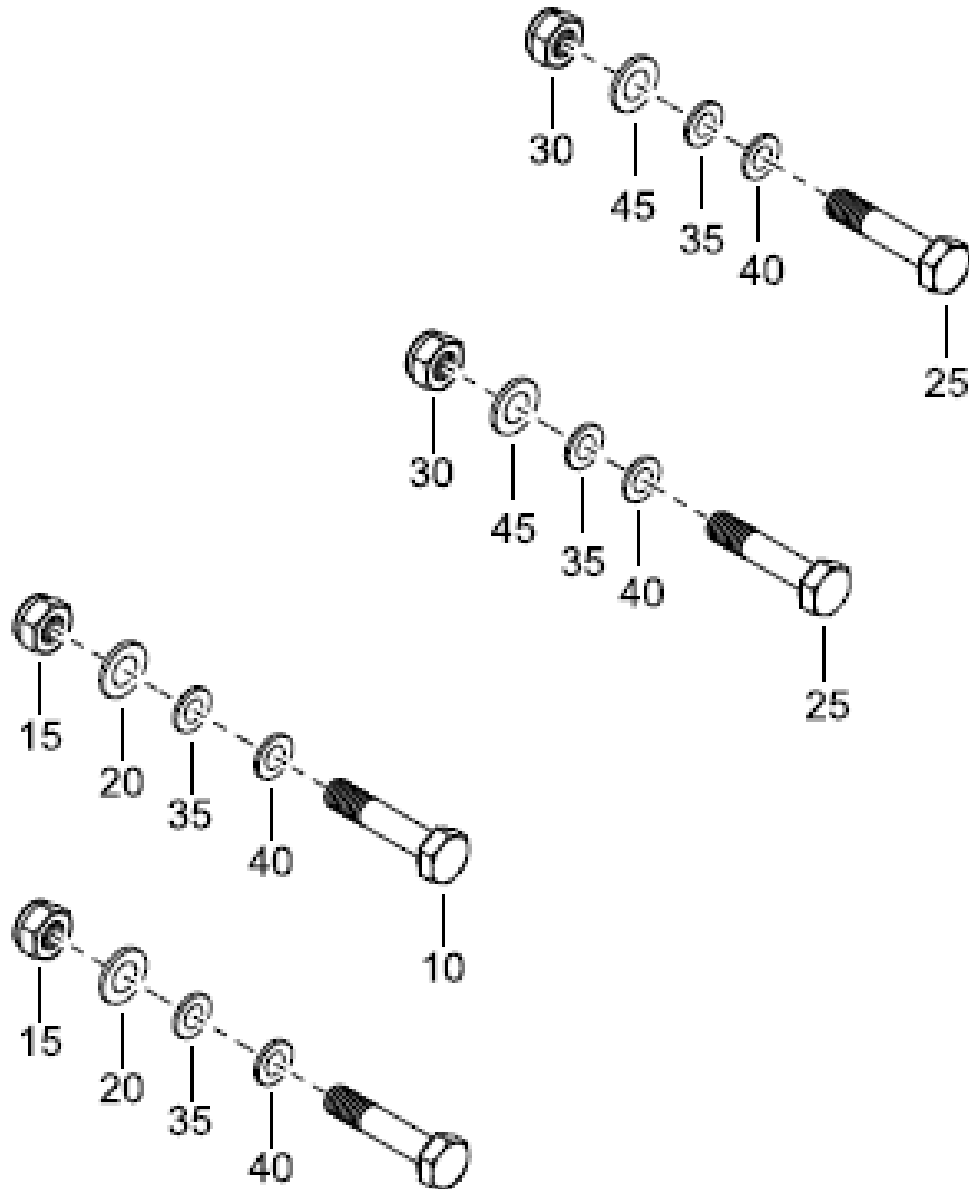
Mechanical 1310072767_01 Tower winch assembly



Refer to the Parts Online web page for most up-to-date information. The printed information might be outdated.

| Item | Part No. | Name | Qty | L |
|------|------------|-------------------------|-----|---|
| - | 1310072767 | Winch assembly | - | |
| 10 | 1310072507 | Single groove pulley | 2 | |
| 15 | 1310072510 | Cable assembly | 1 | |
| 20 | 1310072524 | Crank winch | 1 | |
| 25 | 1310072525 | Winch handle | 1 | |
| 30 | 1310072670 | Cable assembly | 6 | |
| 35 | 1310072849 | Winch hardware assembly | 7 | |

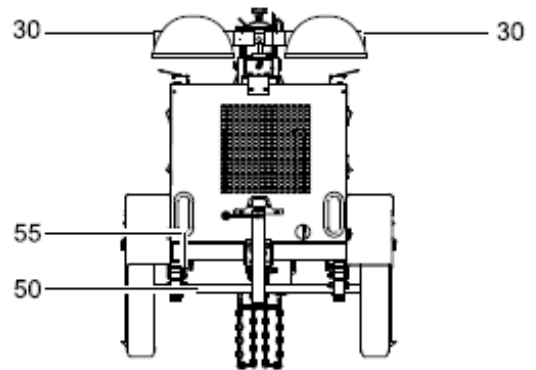
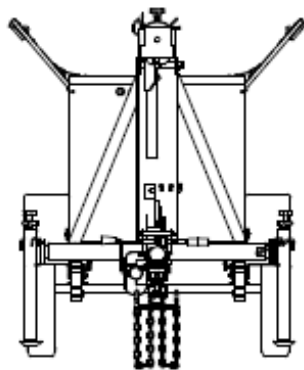
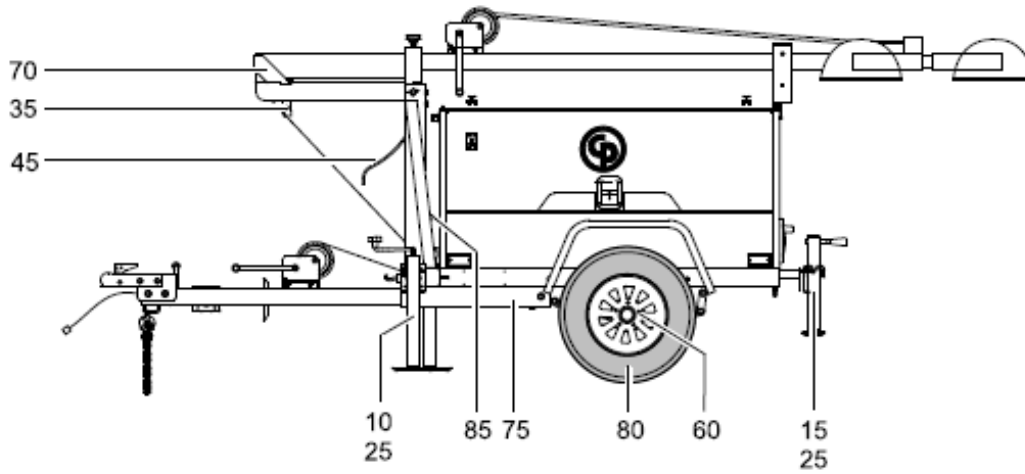
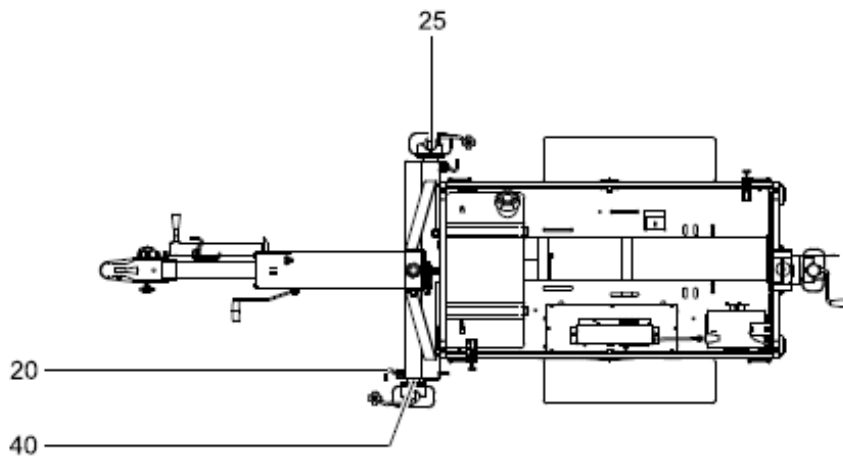
Mechanical Hdw drawbar hitch standard assembly



Refer to the Parts Online web page for most up-to-date information. The printed information might be outdated.

| Item | Part No. | Name | Qty | L |
|-----------|------------|-------------------------------------|-----|---|
| Not Shown | - | Hdw drawbar hitch standard assembly | - | |
| 10 | 1310072512 | Hex screw | 2 | |
| 15 | 1310072519 | Hex nut | 2 | |
| 20 | 1310072520 | Lock washer | 2 | |
| 25 | 1310072638 | Hex screw | 2 | |
| 30 | 1310072642 | Hex nut | 2 | |
| 35 | 1310072653 | Flat washer | 4 | |
| 40 | 1310072654 | Flat washer | 4 | |
| 45 | 1310072663 | Lock washer | 2 | |

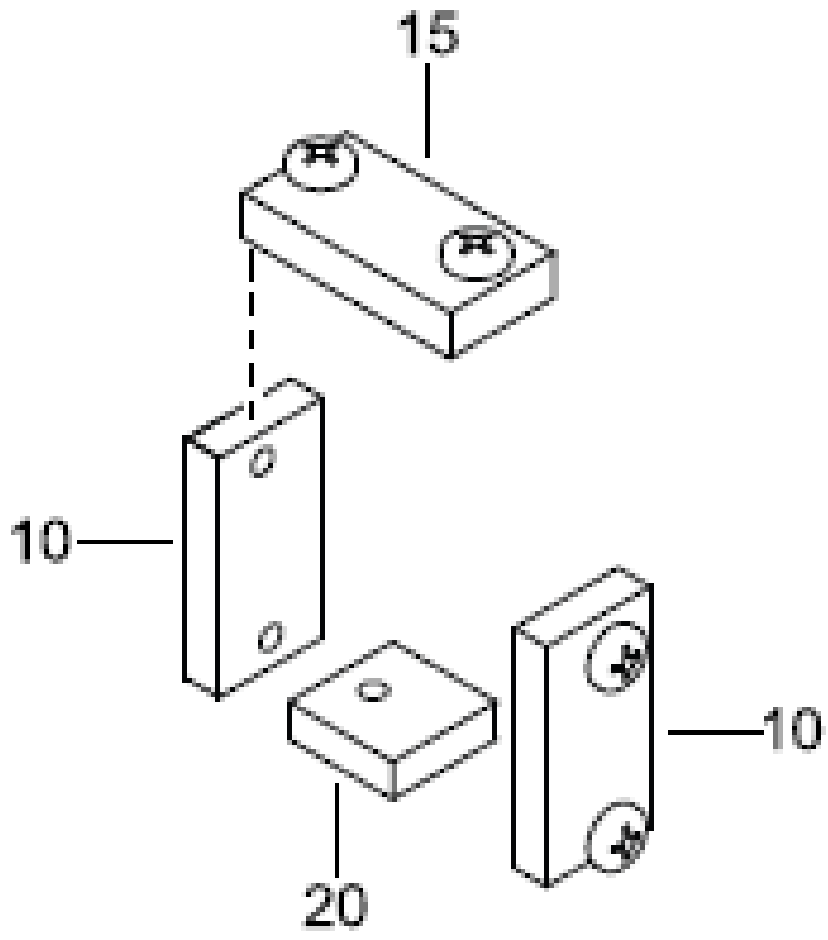
Mechanical Frame assembly



Refer to the Parts Online web page for most up-to-date information. The printed information might be outdated.

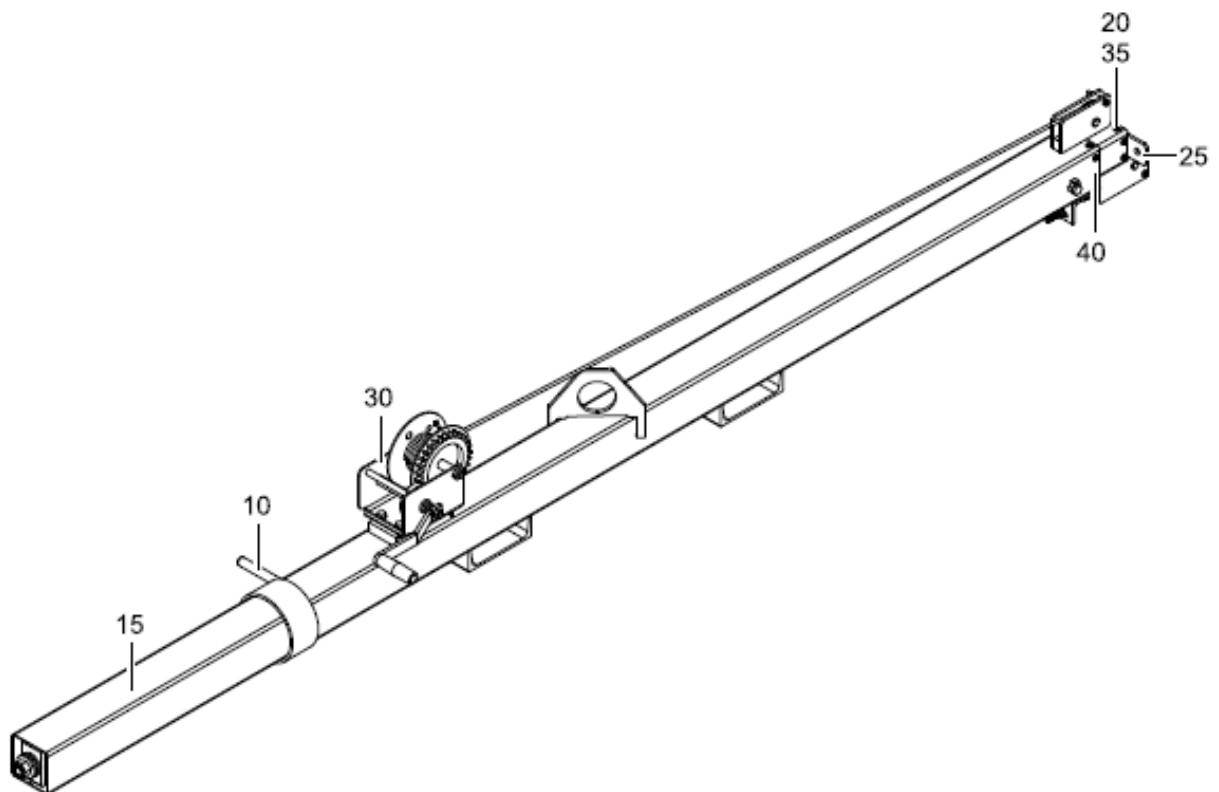
| Item | Part No. | Name | Qty | L |
|------|------------|--------------------------------|-----|---|
| 10 | 1310072506 | Swivel jack, top wind | 2 | |
| 15 | 1310072540 | Swivel jack, side wind | 1 | |
| 20 | 1310072543 | Plunger kit | 2 | |
| 25 | 1310072561 | Snap ring | 3 | |
| 30 | 1310072563 | Plastic plug | 2 | |
| 35 | 1310072602 | Latch bracket | 1 | |
| 40 | 1310072622 | Outrigger weldment | 2 | |
| 45 | 1310072630 | Tower spring | 1 | |
| 50 | 1310072708 | Axel assembly | 1 | |
| 55 | 1310072715 | Axle nut | 6 | |
| 60 | 1310072859 | Wheel nut | 1 | |
| 70 | 1310072536 | Tower swivel base | 1 | |
| 75 | 1310072784 | Frame | 1 | |
| 80 | 1310072796 | Tire and wheel assembly | 2 | |
| 85 | - | Frame,swivel base hdw assembly | 1 | |

Mechanical 3" tower section hdw assembly



| Item | Part No. | Name | Qty | L |
|-----------|------------|-------------------------------|-----|---|
| Not Shown | - | 3" tower section hdw assembly | - | |
| 10 | 1310072645 | Block guide | 2 | |
| 15 | 1310072646 | Block guide | 1 | |
| 20 | 1310072655 | Block guide | 1 | |

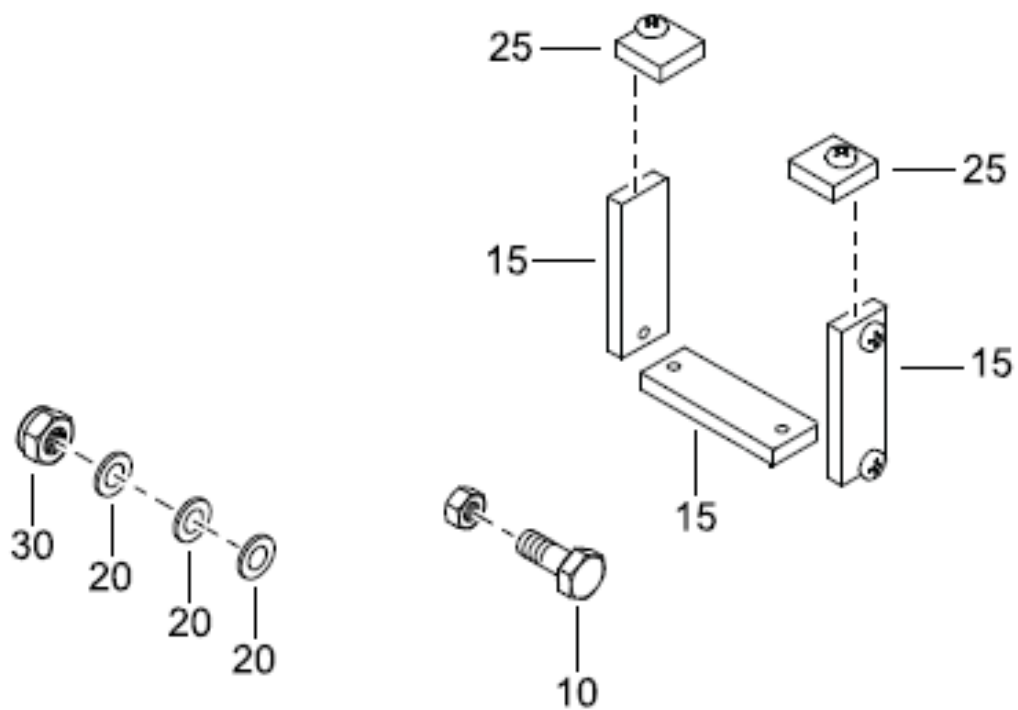
Mechanical Tower assembly



Refer to the Parts Online web page for most up-to-date information. The printed information might be outdated.

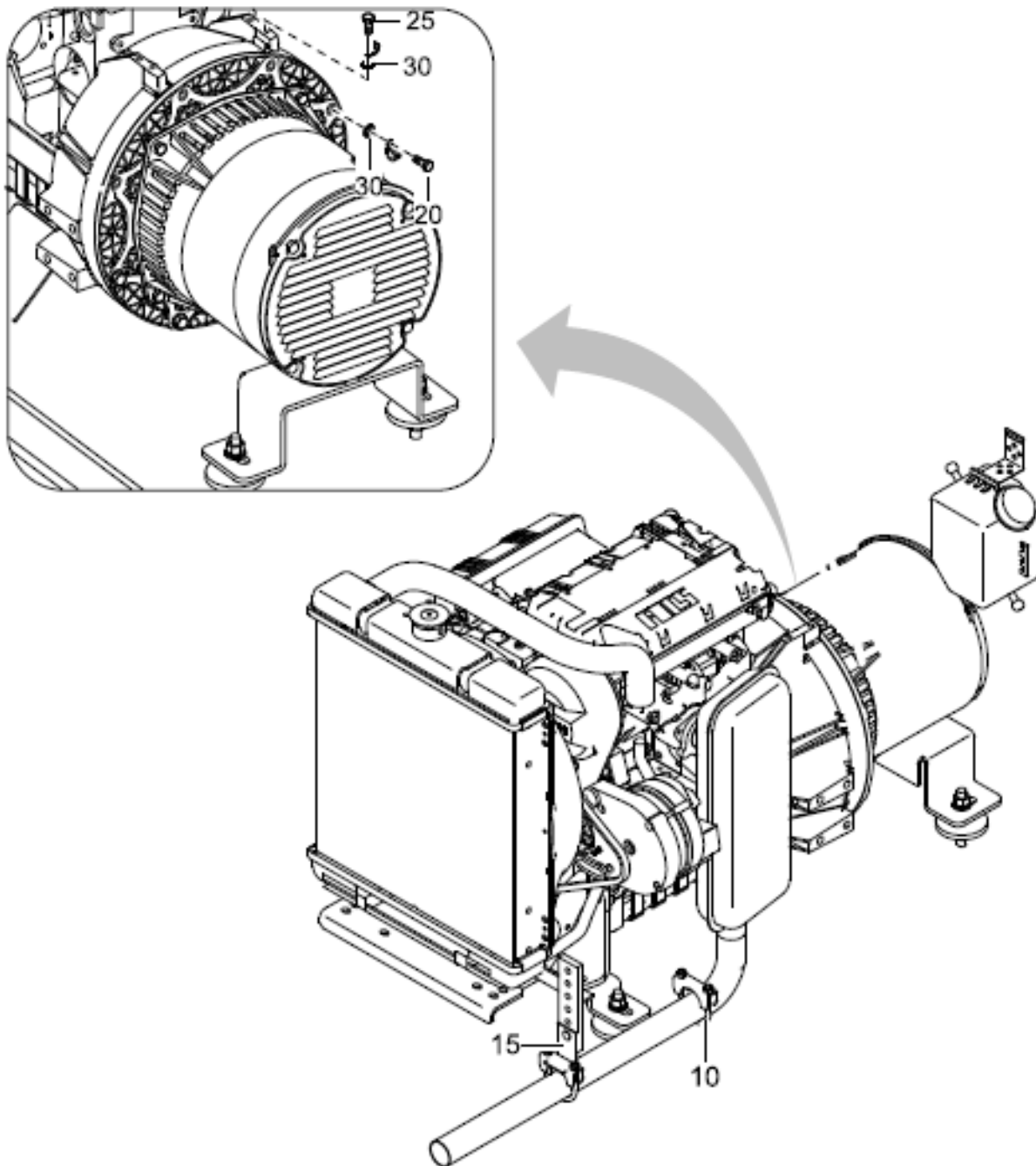
| Item | Part No. | Name | Qty | L |
|------|------------|--------------------|-----|---|
| 10 | 1310072542 | Handle | 1 | |
| 15 | 1310072595 | 4" tower section | 1 | |
| 20 | 1310072611 | 3" tower section | 1 | |
| 25 | 1310072615 | 2" tower section | 1 | |
| 30 | 1310072767 | Winch assembly | 1 | |
| 35 | - | 4" to hdw assembly | 1 | |
| 40 | - | 3" to hdw assembly | 1 | |

Mechanical Winch manual drawbar assembly



| Item | Part No. | Name | Qty | L |
|-----------|------------|-------------------------------|-----|---|
| Not Shown | - | 4" tower section hdw assembly | - | |
| 10 | 1310072720 | Hex screw | 1 | |
| 15 | 1310072644 | Block guide | 3 | |
| 20 | 1310072759 | Flat washer | 3 | |
| 25 | 1310072655 | Block guide | 2 | |
| 30 | 1310072760 | Hex nut | 1 | |

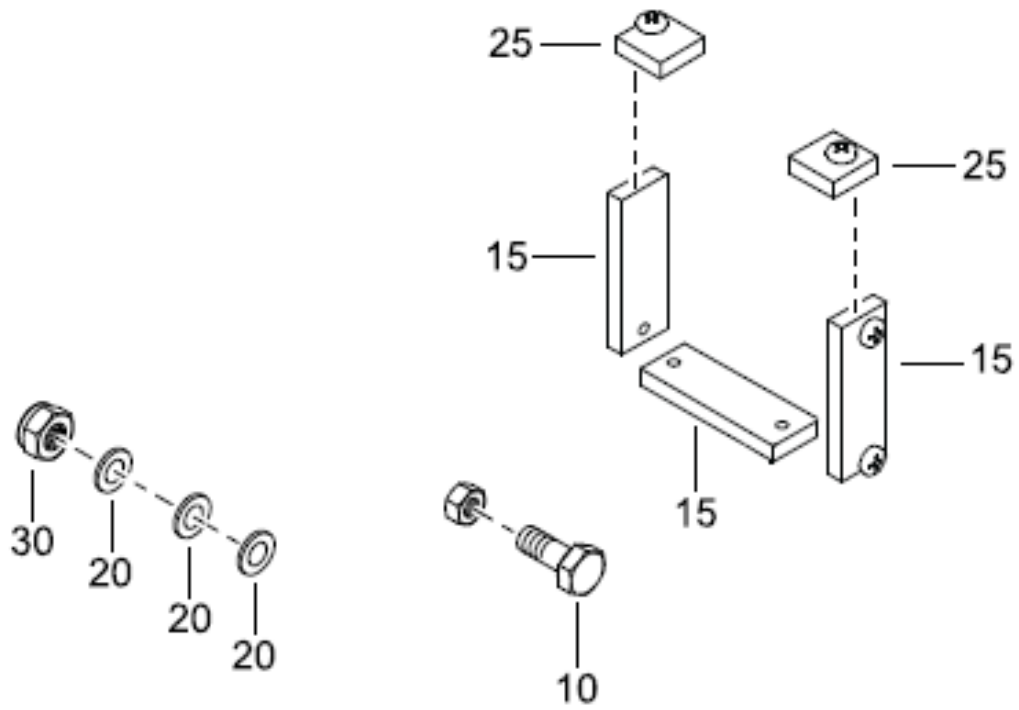
Mechanical Exhaust pipe assembly



Refer to the Parts Online web page for most up-to-date information. The printed information might be outdated.

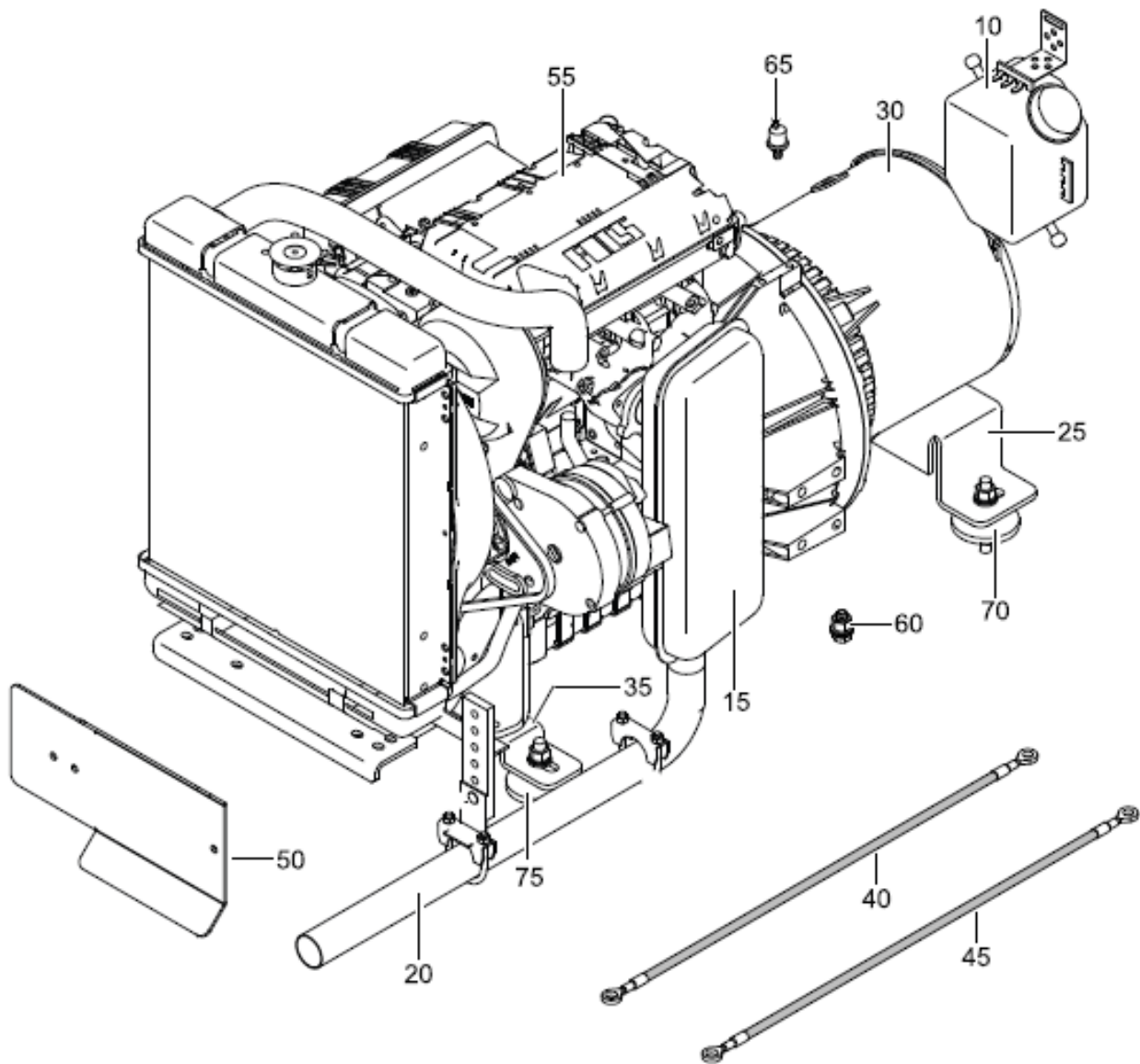
| Item | Part No. | Name | Qty | L |
|-----------|------------|-----------------------|-----|---|
| Not Shown | - | Exhaust pipe assembly | - | |
| 10 | 1310072551 | U-bolt clamp | 1 | |
| 15 | 1310072553 | Muffler hanger | 2 | |
| 20 | 1310072517 | Hex screw | 1 | |
| 25 | 1310072518 | Hex screw | 6 | |
| 30 | 1310072696 | Lock washer | 6 | |

Mechanical 4" tower section hdw assembly



| Item | Part No. | Name | Qty | L |
|-----------|------------|-------------------------------|-----|---|
| Not Shown | - | 4" tower section hdw assembly | - | |
| 10 | 1310072720 | Hex screw | 1 | |
| 15 | 1310072644 | Block guide | 3 | |
| 20 | 1310072759 | Flat washer | 3 | |
| 25 | 1310072655 | Block guide | 2 | |
| 30 | 1310072760 | Hex nut | 1 | |

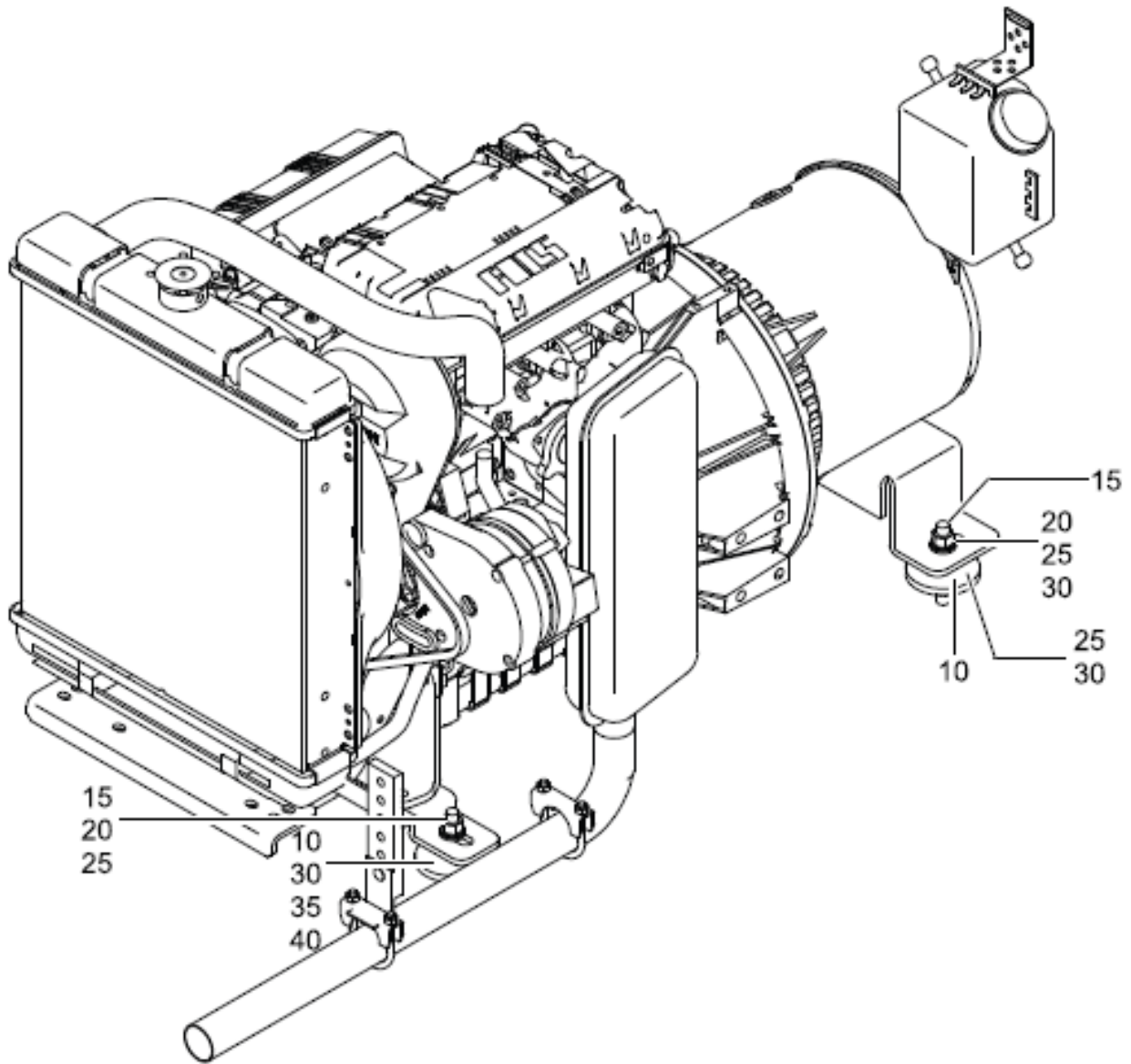
Engine Engine assembly



Refer to the Parts Online web page for most up-to-date information. The printed information might be outdated.

| Item | Part No. | Name | Qty | L |
|------|------------|------------------------------------|-----|---|
| 10 | 1310072582 | Overflow bottle | 1 | |
| 15 | 1310072801 | Muffler bracket | 1 | |
| 20 | 1310072658 | Tail pipe | 1 | |
| 25 | 1310072672 | Genset bracket | 1 | |
| 30 | 1310072684 | Generator | 1 | |
| 35 | 1310072692 | Engine bracket | 1 | |
| 40 | 1310072701 | Wire assy | 1 | |
| 45 | 1310072702 | Wire assy | 1 | |
| 50 | 1310072706 | Bracket | 1 | |
| 55 | 1310072739 | Engine-diesel | 1 | |
| 60 | - | Hdw assy,gen,wlt,mecca alte to lom | 1 | |
| 65 | 1310072765 | TEMPERATURE SENSOR | 1 | |
| 70 | - | Genset riser hdw assembly | 1 | |
| 75 | - | Engine riser hdw assembly | 1 | |
| 80 | - | Exhaust pipe assembly | 1 | |

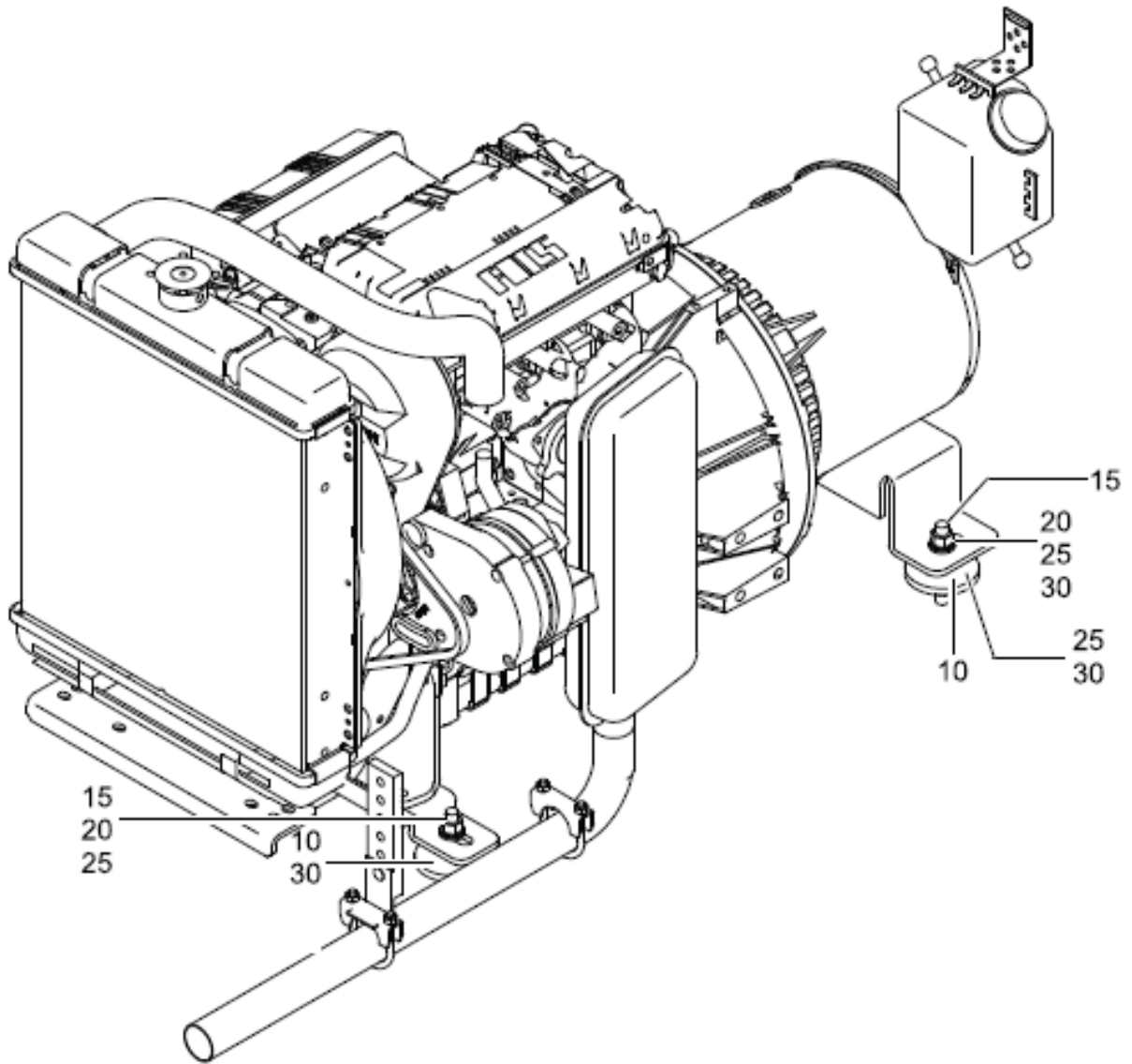
Engine Engine riser hdw assembly



Refer to the Parts Online web page for most up-to-date information. The printed information might be outdated.

| Item | Part No. | Name | Qty | L |
|-----------|------------|---------------------------|-----|---|
| Not Shown | - | Engine riser hdw assembly | - | |
| 10 | 1310072628 | Vibration mount (green) | 1 | |
| 15 | 1310072636 | Hex screw | 2 | |
| 20 | 1310072641 | Hex nut | 2 | |
| 25 | 1310072647 | Hex nut | 4 | |
| 30 | 1310072652 | Flat washer | 2 | |
| 35 | 1310072653 | Flat washer | 4 | |
| 40 | 1310072664 | Lock washer | 4 | |

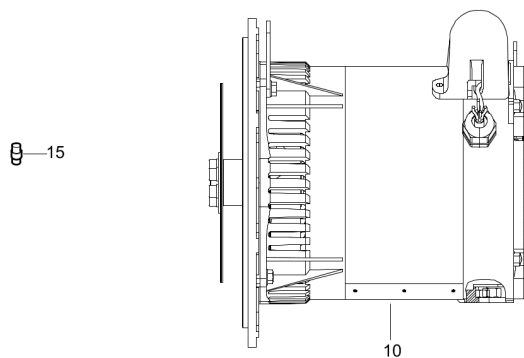
Engine Genset, engine riser hdw assembly



Refer to the Parts Online web page for most up-to-date information. The printed information might be outdated.

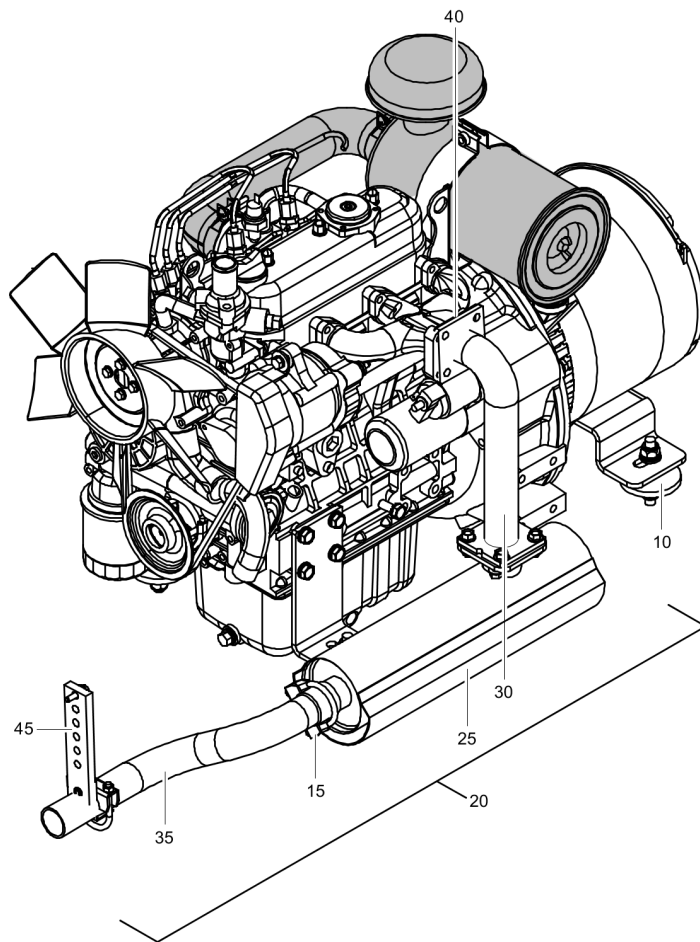
| Item | Part No. | Name | Qty | L |
|-----------|------------|---------------------------|-----|---|
| Not Shown | - | Genset riser hdw assembly | - | |
| 10 | 1310072629 | Vibration mount (yellow) | 1 | |
| 15 | 1310072636 | Hex screw | 2 | |
| 20 | 1310072641 | Hex nut | 1 | |
| 25 | 1310072653 | Flat washer | 4 | |
| 30 | 1310072664 | Lock washer | 4 | |

Engine 1310072684_01 Generator



| Item | Part No. | Name | Qty | L |
|------|------------|-----------|-----|---|
| - | 1310072684 | Generator | - | |
| 10 | 1310072685 | Capacitor | 1 | |
| 15 | 1310072528 | Diode | 1 | |

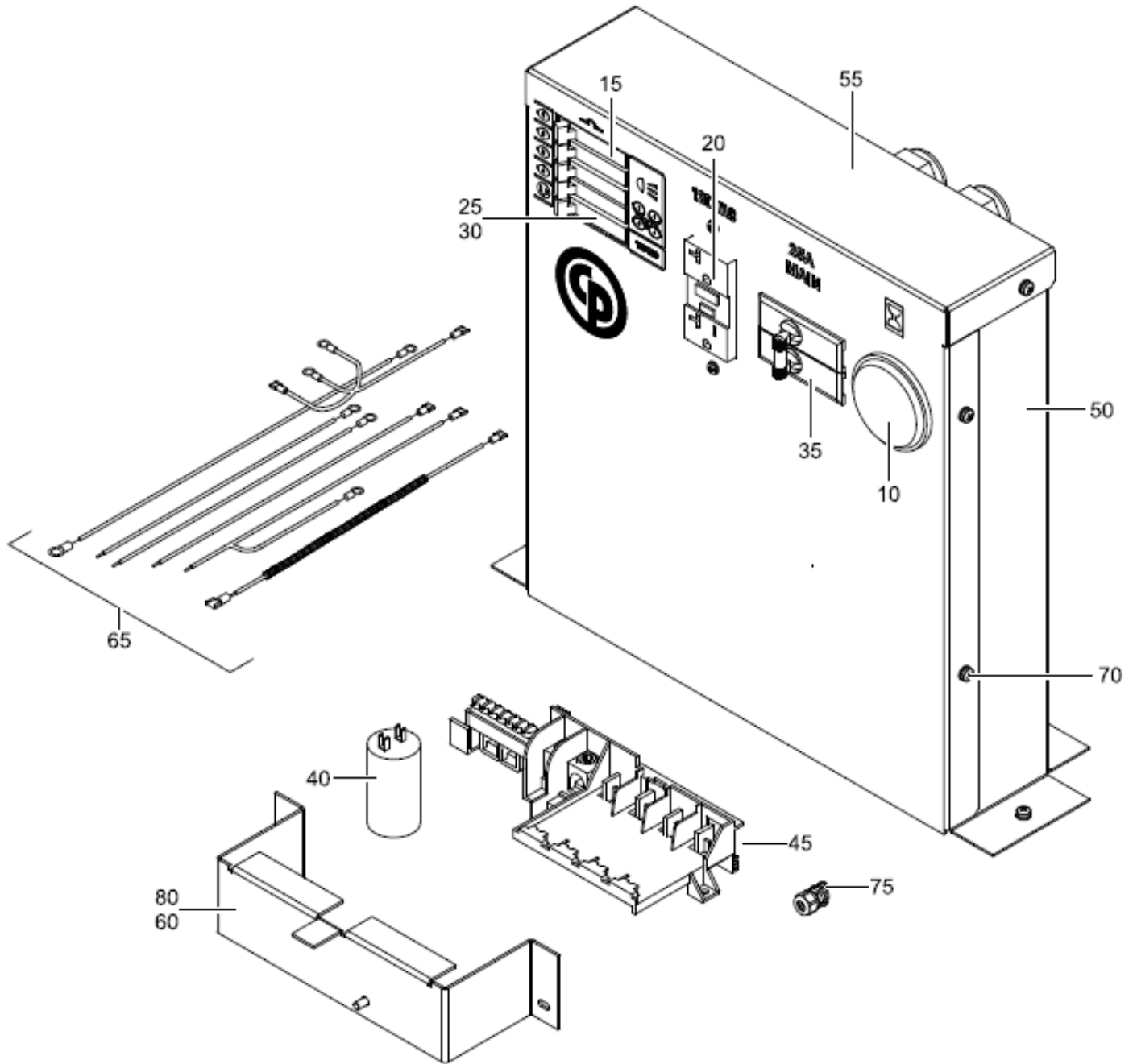
Engine Exhaust pipe assembly



Refer to the Parts Online web page for most up-to-date information. The printed information might be outdated.

| Item | Part No. | Name | Qty | L |
|------|------------|------------------------------|-----|---|
| - | 1310072766 | Exhaust pipe assembly | - | |
| 10 | 1310072513 | Washer | 1 | |
| 15 | 1310072551 | U-bolt clamp | 2 | |
| 20 | 1310072734 | Exhaust assembly | 1 | |
| 25 | 1310072668 | Muffler | 1 | |
| 30 | 1310072705 | Middle exhaust pipe assembly | 1 | |
| 35 | 1310072730 | Tailpipe | 1 | |
| 40 | 1310072758 | Gasket | 1 | |
| 45 | 1310072817 | Hanger | 1 | |

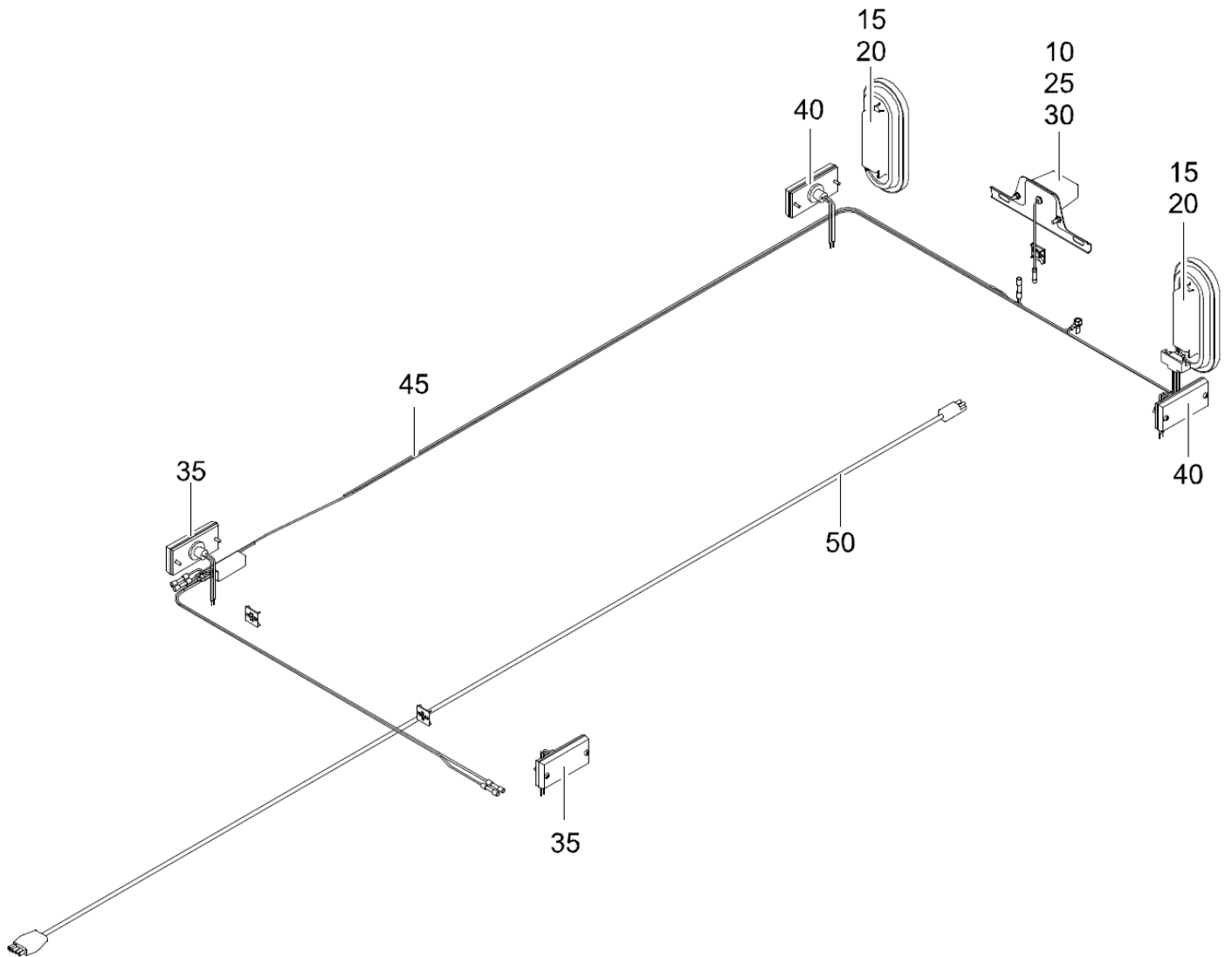
Electrical System Control box assembly



Refer to the Parts Online web page for most up-to-date information. The printed information might be outdated.

| Item | Part No. | Name | Qty | L |
|------|------------|------------------------------|-----|---|
| 10 | 1310072534 | Hour meter | 1 | |
| 15 | 1310072545 | Circuit breaker 15a | 4 | |
| 20 | 1310072583 | Duplex receptacle | 1 | |
| 25 | 1310072588 | Circuit breaker 20a | 1 | |
| 30 | 1310072608 | Capacitor | 1 | |
| 35 | 1310072627 | Circuit breaker, 25a | 1 | |
| 40 | 1310072685 | Capacitor | 1 | |
| 45 | 1310072827 | Load center bus | 1 | |
| 50 | 1310072829 | Control box panel | 1 | |
| 55 | 1310072830 | Control panel | 1 | |
| 60 | 1310072836 | Bracket capacitor | 1 | |
| 65 | 1310072850 | Harness assembly control lom | 1 | |
| 70 | - | Hdw assembly control box | 1 | |
| 75 | 1310072504 | Cord grip 3/4" npt | 2 | |
| 80 | 1310072704 | Weastp psa | 1 | |

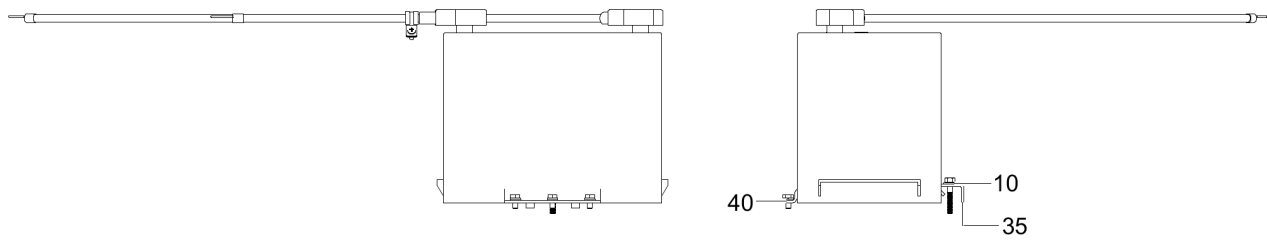
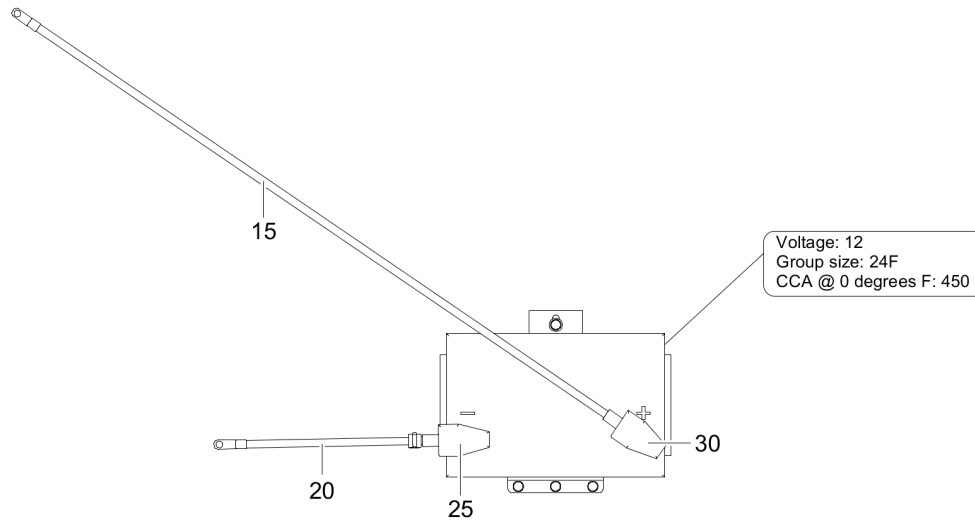
Electrical System Lighting assembly



Refer to the Parts Online web page for most up-to-date information. The printed information might be outdated.

| Item | Part No. | Name | Qty | L |
|------|------------|-------------------------|-----|---|
| 10 | 1310072523 | License plate light | 1 | |
| 15 | 1310072549 | Tail light | 2 | |
| 20 | 1310072550 | Tail light grommet | 2 | |
| 25 | 1310072554 | Butt connector | 1 | |
| 30 | 1310072557 | Rubber grommet | 1 | |
| 35 | 1310072584 | Reflector, amber | 2 | |
| 40 | 1310072585 | Reflector, red | 2 | |
| 45 | 1310072586 | Rear tail light harness | 1 | |
| 50 | 1310072587 | Main tail light harness | 1 | |

Electrical System Battery assembly



| Item | Part No. | Name | Qty | L |
|------|------------|--------------------------------|-----|---|
| 10 | 1310072513 | Washer | 1 | |
| 15 | 1310072530 | Battery cable, red | 1 | |
| 20 | 1310072531 | Battery cable, black | 1 | |
| 25 | 1310072722 | Battery terminal cover (black) | 1 | |
| 30 | 1310072723 | Battery terminal cover (red) | 1 | |
| 35 | 1310072793 | Battery bracket | 1 | |
| 40 | 1310072794 | Battery stay | 1 | |