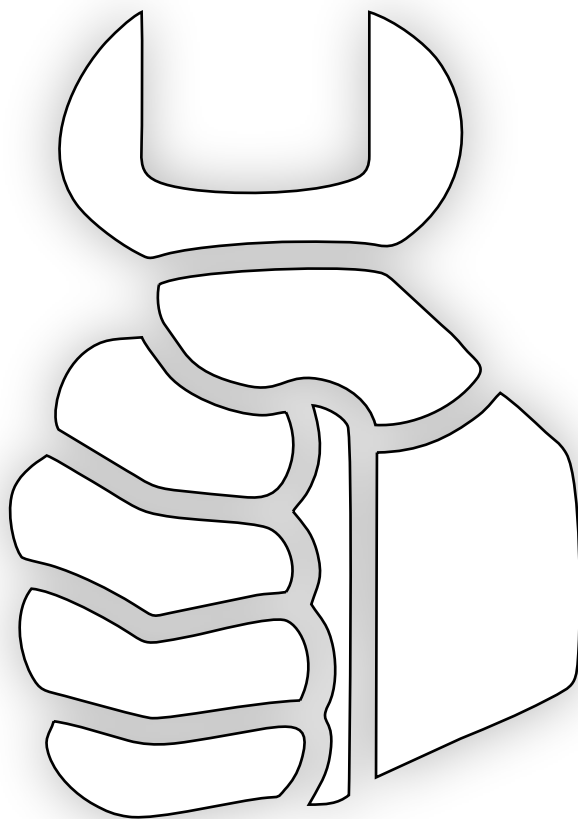


Parts online

Spare parts list



Service

3002607210_00 Service pak 200 hours	1
3002607290_00 Service pak 1000 hours	3
Engine Oil	5
Coolant	7
3002607200_00 Spare part list	9

Mechanical

1625054200_03 Frame	11
1625054210_00 Alternator and accessories	13
1625054212_00 Canopy	15
1625090083_00 Canopy - Light tower	18
1625090097_00 Air inlet	21
1625054211_00 Mast	23
1625090085_00 E-stop	26
1625090038_00 Ball coupling	29
1625054220_00 Markings	31
1625090093_01 Markings	33
1625090034_00 Rack version	35
1625090041_02 Data plate	37
1625090095_01 Data plate	39

Engine

1625054300_00 Engine	41
1625054213_00 Cooling system	43
1625054216_03 Exhaust light	45
1625054217_06 Fuel system	47

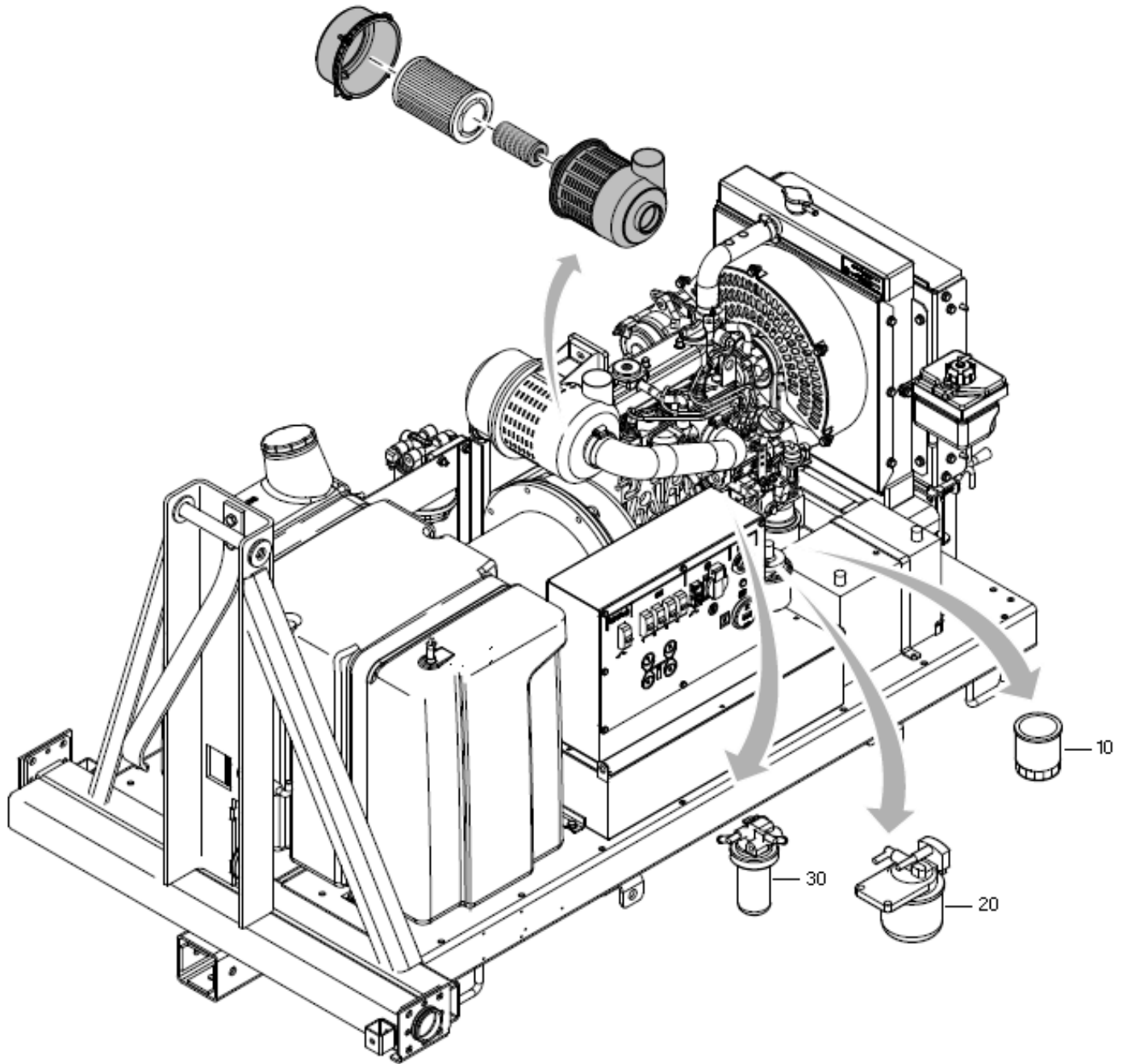
Electric system

1625054266_03 Electrical system	49
1625054230_00 Alternator - 50 Hz light tower	51
1625090062_00 Cubicle - ELCB without socket 50 Hz	53
1625090060_00 Cubicle - Cubicle with duplex 120V 60Hz socket	55
1625090050_00 Cubicle - ELCB with WEIPU 230V 50 Hz socket	57
1625055000_00 Cubicle - cubicle with weipu 230v 50 Hz socket	59
1625090031_00 Cubicle - Cubicle with WEIPU 240V 60 Hz socket	61
1092629700_03 Lamp	63
1625090103_00 Cubicle - 50hz	65
1092727080_00 Cubicle - 50 Hz	67
1092719580_00 Cubicle - 50 Hz	69
1092727980_00 Cubicle - 60 Hz	71
1092626480_00 Cubicle - 50 Hz	73
1092632880_00 Cubicle - 60 Hz	75
1625090059_00 Cubicle - 50 Hz light tower	77
1092726880_00 Cubicle - 50 Hz light tower	79
1092715880_00 Cubicle - 60 Hz light tower	81
1625090033_00 Cubicle - 60hz light tower	83
1625090029_00 Alternator - 60 Hz light tower	85
1625090089_00 Tail light system	87

Option / accessories

1625054214_05 Undercarriage	89
1094124590_01 Tyre assembly	91
1625090035_00 Combo eye	93
1625090048_00 Ring towing eye	95
1625090056_00 Extra f/w seperator	97
1625090098_00 E-stop	99

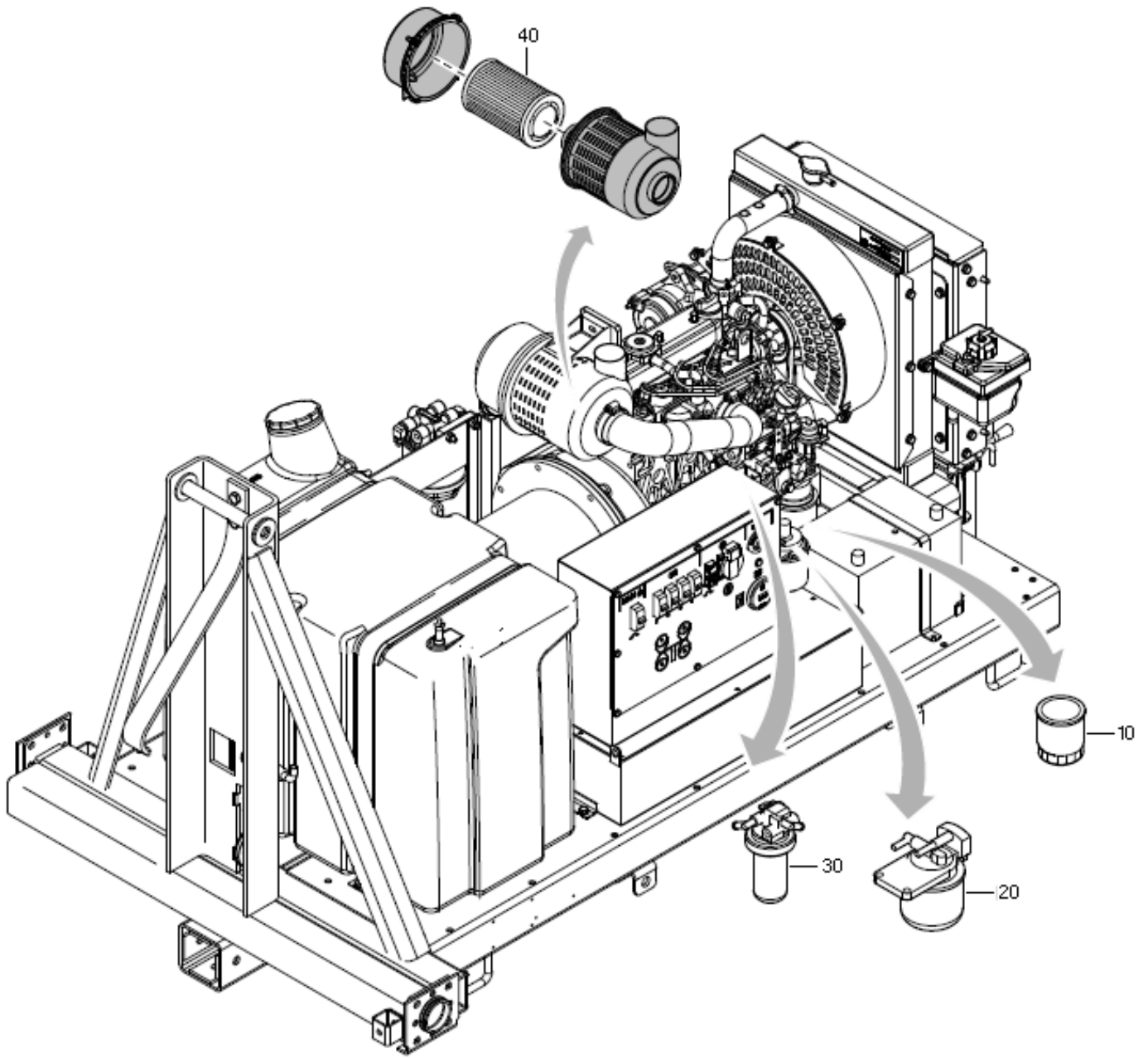
Service 3002607210_00 Service pak 200 hours



Refer to the Parts Online web page for most up-to-date information. The printed information might be outdated.

Позиция	№ детали	Название	К-во	L
-	3002607210	Service pak 200 hours	-	
10	-	Engine oil filter	1	
20	-	Fuel filter	1	
30	-	Water seperator	1	

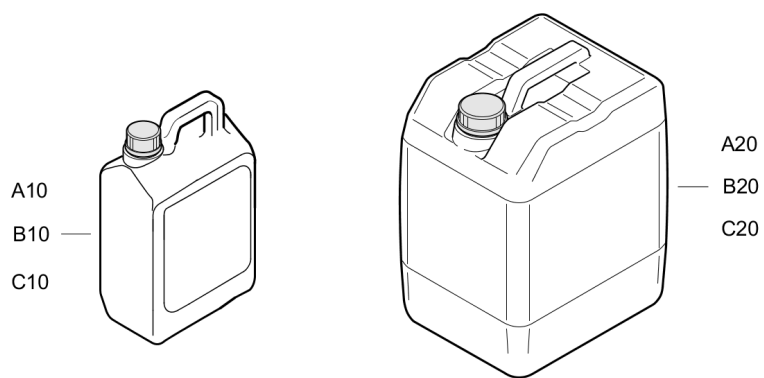
Service 3002607290_00 Service pak 1000 hours



Refer to the Parts Online web page for most up-to-date information. The printed information might be outdated.

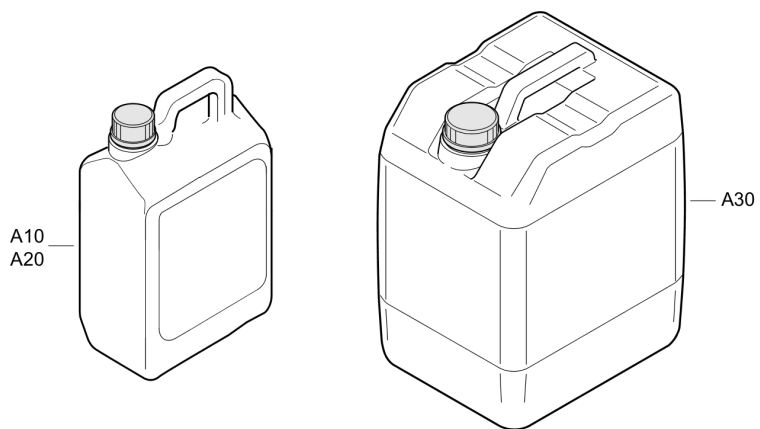
Позиция	№ детали	Название	К-во	L
-	3002607290	Service pak 1000 hours	-	
10	-	Engine oil filter	1	
20	-	Fuel filter	1	
30	-	Water seperator	1	
40	-	Element air filter	1	

Service Engine Oil



Позиция	№ детали	Название	К-во	L
Not Shown	-	Genoil Performance	AR	
A10	1626226200	Can Genoil 15W40 5 Liter/1.32 Gallon	1	
A20	1626226300	Can Genoil 15W40 20 Liter/5.3 Gallon	1	
Not Shown	-	Genoil Engine Plus	AR	
B10	1626225801	Can Genoil 5W40 5 Liter/1.32 Gallon	1	
B20	1626225901	Can Genoil 5W40 20 Liter/5.3 Gallon	1	
Not Shown	-	Genoil Engine Green	AR	
C10	1638074000	Can Genoil Engine Green 5 Liter/1.32 Gallon	1	
C20	1638075000	Can Genoil Engine Green 20 Liter/5.3 Gallon	1	

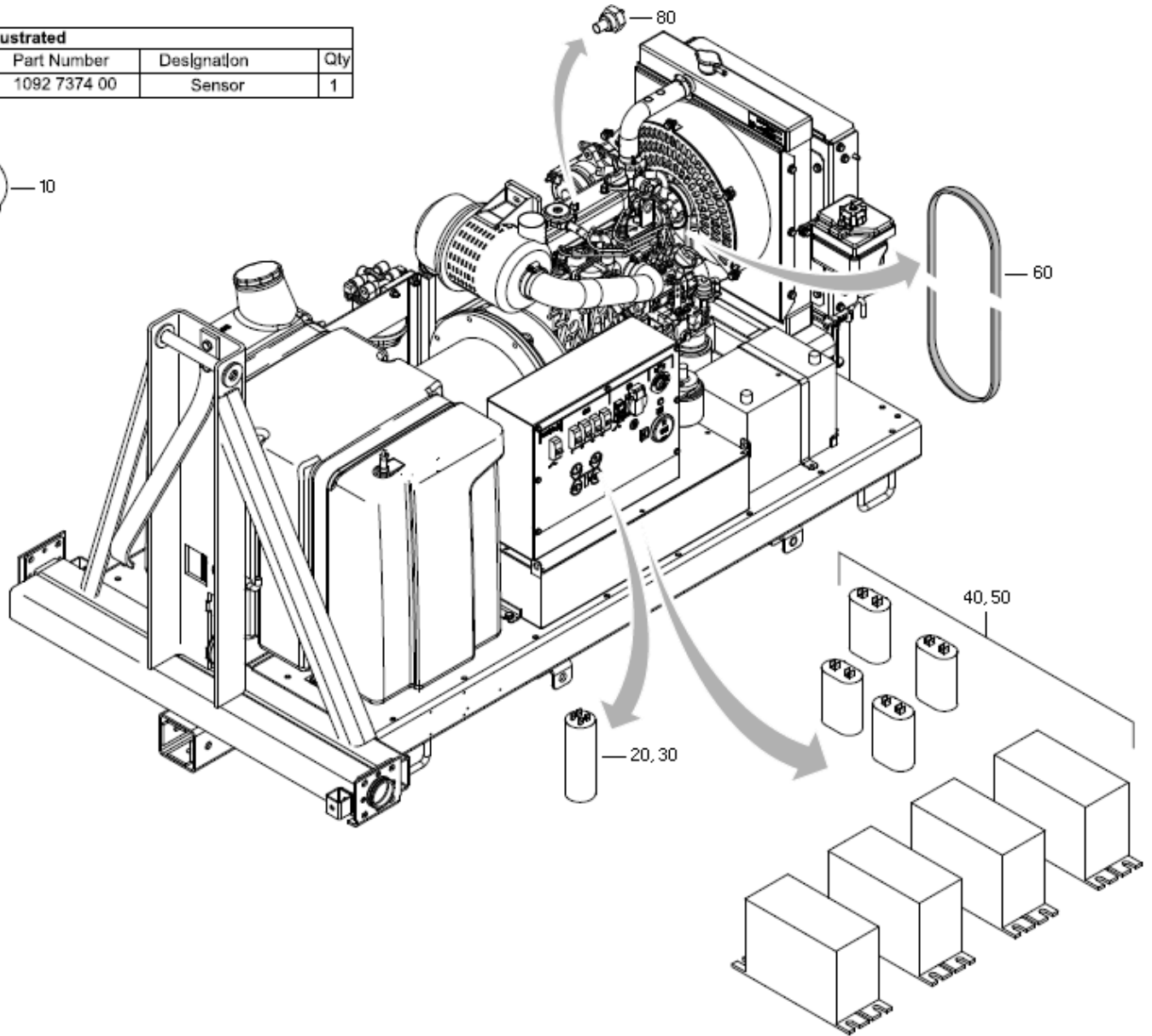
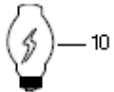
Service Coolant



Позиция	№ детали	Название	К-во	L
Not Shown	-	Gencool EG	AR	
A10	1626225701	Coolant can 5 Liter/1.32 Gallon (concentrate)	1	
A20	1626225501	Coolant can 5 Liter/1.32 Gallon	1	
A30	1626225601	Coolant can 20 Liter/5.3 Gallon	1	

Service 3002607200_00 Spare part list

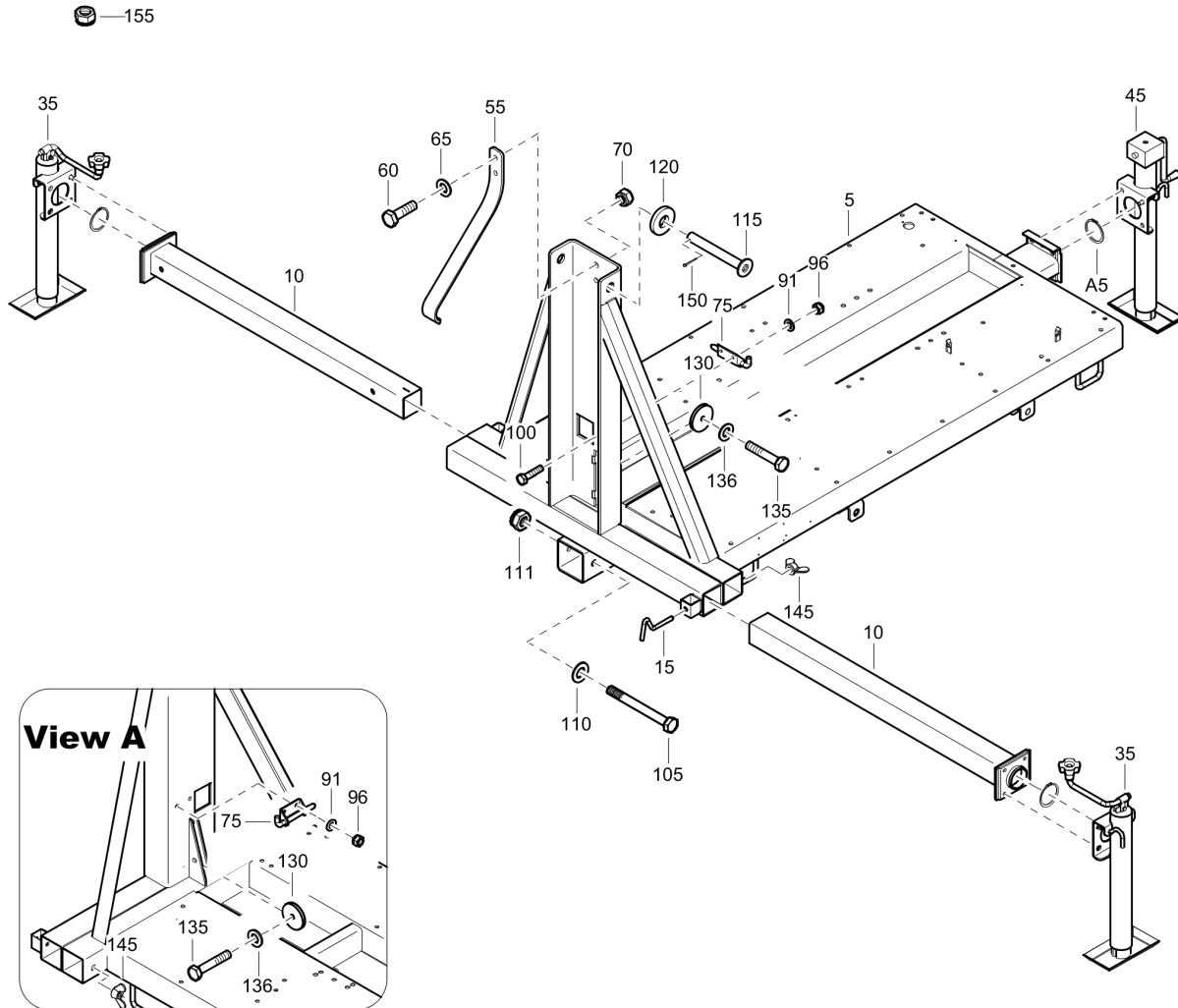
Not Illustrated			
Ref	Part Number	Designation	Qty
70	1092 7374 00	Sensor	1



Refer to the Parts Online web page for most up-to-date information. The printed information might be outdated.

Позиция	№ детали	Название	К-во	L
10	1310072643	Light bulb	4	
20	1092805700	Capacitor generator	1	
30	1092684800	Capacitor generator	1	
40	1092635200	Capacitor and ballast	4	
50	1092635300	Capacitor and ballast	4	
60	1092683800	Engine belt	1	
70	1092737400	Engine oil pressure switch	1	
80	1092643801	Water temperature switch	1	

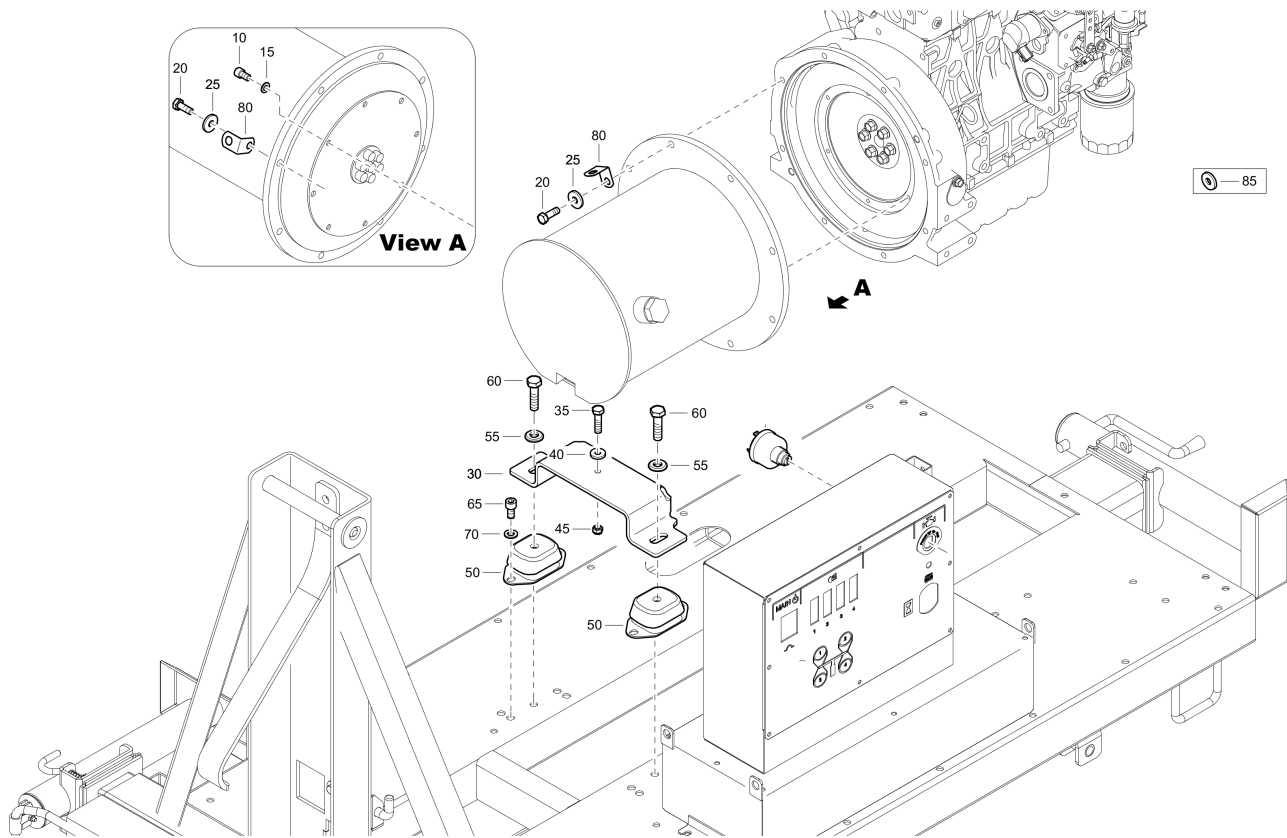
Mechanical 1625054200_03 Frame



Refer to the Parts Online web page for most up-to-date information. The printed information might be outdated.

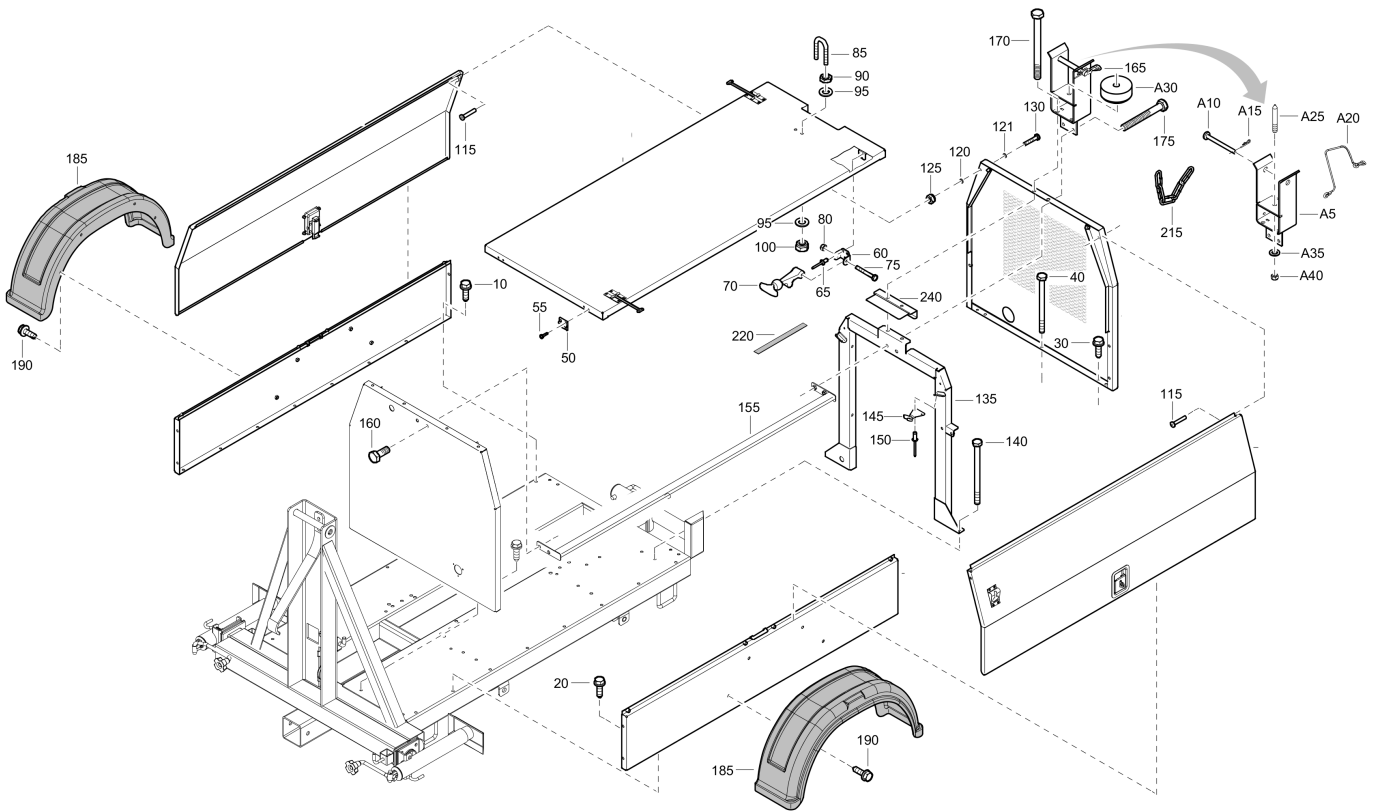
Позиция	№ детали	Название	К-во	L
BOBUBB	BOCHILD	BODESC	BOQTY	
5	1092585600	Frame	1	
10	1092618900	Support extended	2	
15	1092621000	Lock pin	2	
35	1092642001	Lifting jack top wind	2	
45	1092688200	Lifting jack side wind frame	1	
A5	1092817300	Snap ring light tower	1	
55	1092621100	Spring main frame	1	
60	0147140203	Screw DIN933	2	
65	0301235800	Washer-flat	2	
70	0291111200	Nut DIN985	2	
75	1092694400	Mast lock pin	1	
91	0301233500	Washer	4	
96	0291111000	Locknut	2	
100	0147132603	Screw	2	
105	0147145703	Hex. head screw	3	
110	0301237100	Washer DIN125	3	
111	0291111300	Nut DIN985	3	
115	1092637600	Main pin	1	
120	0300027624	Washer	4	
130	1092637400	Pulley	1	
135	0147140703	Hexagon bolt	1	
136	0301235800	Washer-flat	1	
145	0296111102	Wing nut	1	
150	0111125209	Pin split	1	
155	0291111200	Nut DIN985	1	

Mechanical 1625054210_00 Alternator and accessories



Позиция	№ детали	Название	К-во	L
10	0211516203	Hex head screw	6	
15	0301233500	Washer	6	
20	0144328803	Screw	8	
25	0300027493	Washer	8	
30	1092622400	Support alternator	1	
35	0147196239	Screw	1	
40	0300027643	Plain washer	1	
45	0291111000	Locknut	1	
50	1092636600	Damper alternator	2	
55	0300027492	Washer	2	
60	0147140303	Hex.bolt-m12x40	2	
65	0211136003	Hexagon socket screw	4	
70	0301234400	Washer-flat	4	
80	1092641300	Plate cable	8	
85	0301233500	Washer	1	

Mechanical 1625054212_00 Canopy



Refer to the Parts Online web page for most up-to-date information. The printed information might be outdated.

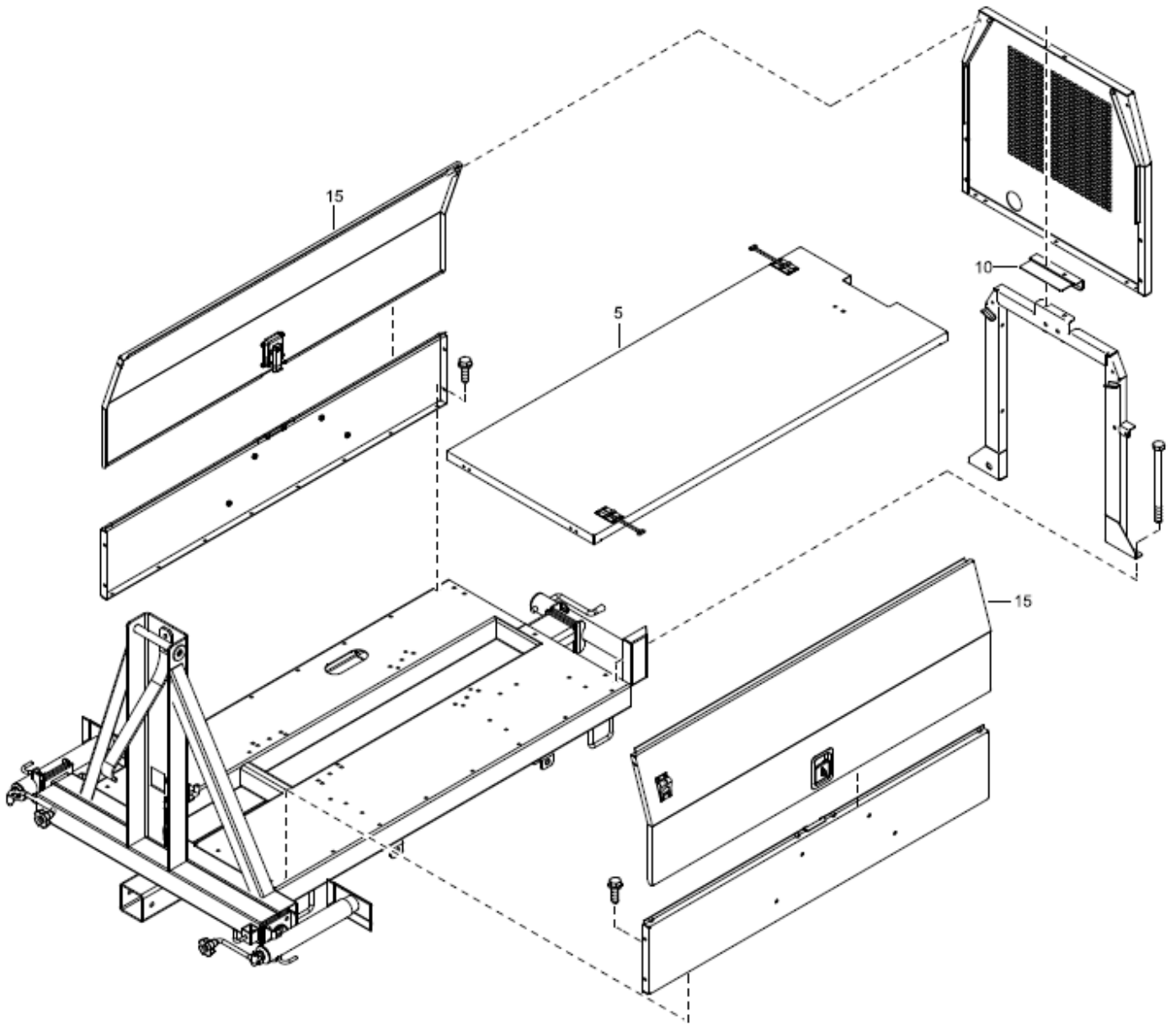
Позиция	№ детали	Название	К-во	L
10	1619276600	Paint stripping	12	
20	1619276600	Paint stripping	12	
30	1619276600	Paint stripping	4	
40	0147134103	Hexagon bolt	1	
50	1092638500	Hinge roof light tower	2	
55	1092734900	Screw	8	
60	1619298001	Support	2	
65	0129317401	Rivet	6	
70	1626617100	Catch	2	
75	0147121403	Hexagon bolt	2	
80	0291110700	Nut DIN985	2	
85	1092637800	U bolt	1	
90	0261211100	Nut	2	
95	0301234400	Washer-flat	4	
100	0291111100	Locknut	2	
115	1092686800	Bushing nylon door light tower	4	
120	1092687500	Washer nylon door light tower	4	
121	1092818700	Washer nylon door light tower	4	
125	0291112814	Lock nut	4	
130	0147121903	Screw	4	
135	1092623301	Support beam light tower	1	
140	0147134103	Hexagon bolt	4	
145	1615860500	Stirrup	2	
150	0129317401	Rivet	4	
155	1092623800	Cross bar	1	
160	0147136003	Screw	2	
165	1092623580	Cradle mast light tower	1	
A5	1092623500	Cradle	1	
A10	1092638400	Mast pin (lock)	1	
A15	5730007822	Pin spring	1	
A20	1092639800	Steel wire	1	
A25	1092687100	Pin posioning mast light tower	1	
A30	1092687200	Buffer rubber mast light tower	1	
A35	0301235800	Washer-flat	2	
A40	0291111200	Nut DIN985	1	

Refer to the Parts Online web page for most up-to-date information. The printed information might be outdated.

Позиция	№ детали	Название	К-во	L
170	0147136903	Hex. head screw M10 x 60	2	
175	0147137903	Hexagon bolt	2	
185	1092038360	Mudguard	2	
190	1619276600	Paint stripping	8	
215	1092688500	Chain	1	
220	1615705700	Seal	AR	

Данная страница изначально оставлена
пустой

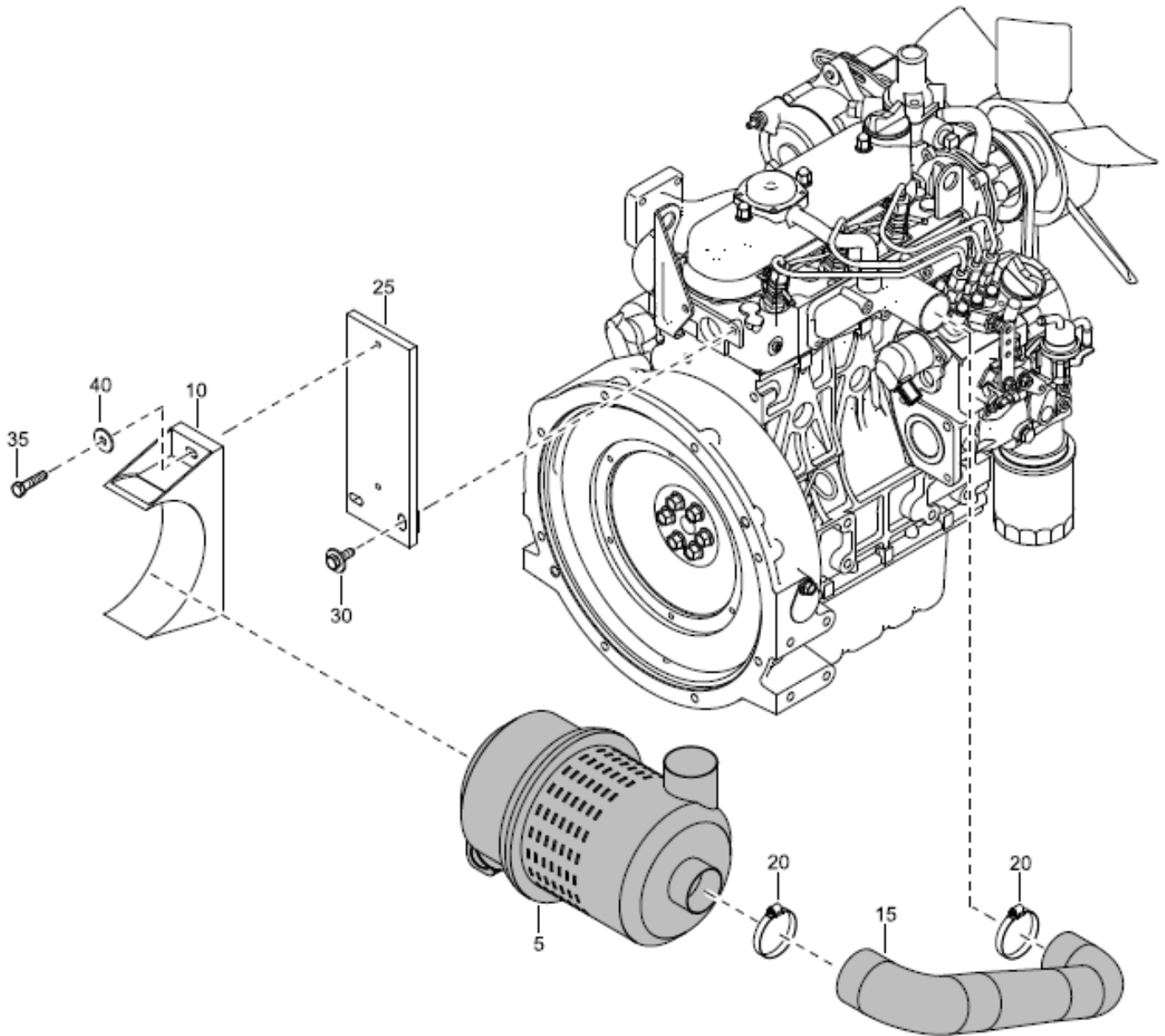
Mechanical 1625090083_00 Canopy - Light tower



Refer to the Parts Online web page for most up-to-date information. The printed information might be outdated.

Позиция	№ детали	Название	К-во	L
5	1092724500	Canopy	1	
10	1092724900	Plate	1	
15	1092724800	Door assy	2	

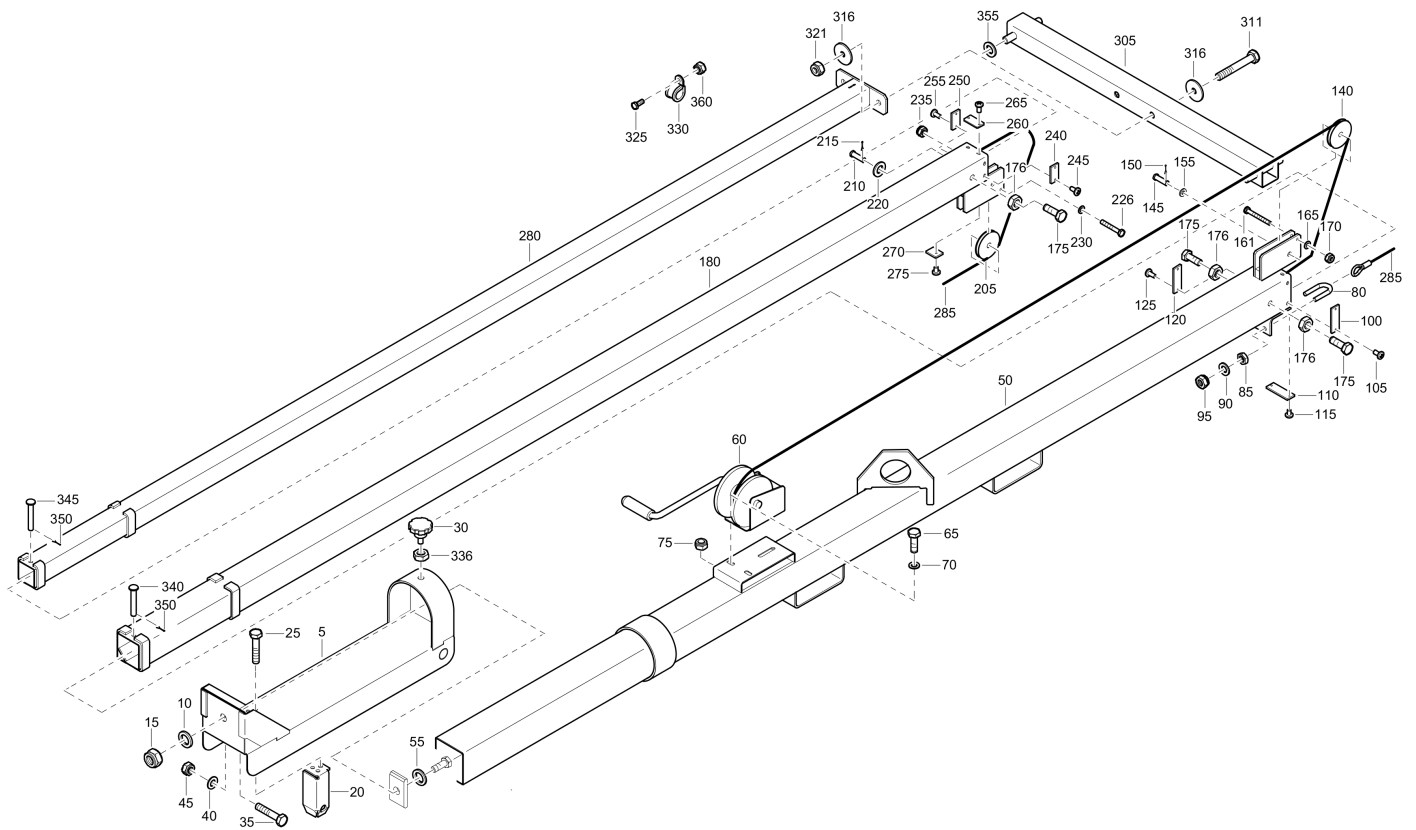
Mechanical 1625090097_00 Air inlet



Refer to the Parts Online web page for most up-to-date information. The printed information might be outdated.

Позиция	№ детали	Название	К-во	L
5	1092037370	Air filter	1	
10	1615712500	Support	1	
15	1092636800	Air filter hose	1	
20	0347611300	Hose clamp	2	
25	1092636900	Air filter support	1	
30	1615566400	Bolt	2	
35	0147132603	Screw	2	
40	0300801900	Plain washer	2	

Mechanical 1625054211_00 Mast



Refer to the Parts Online web page for most up-to-date information. The printed information might be outdated.

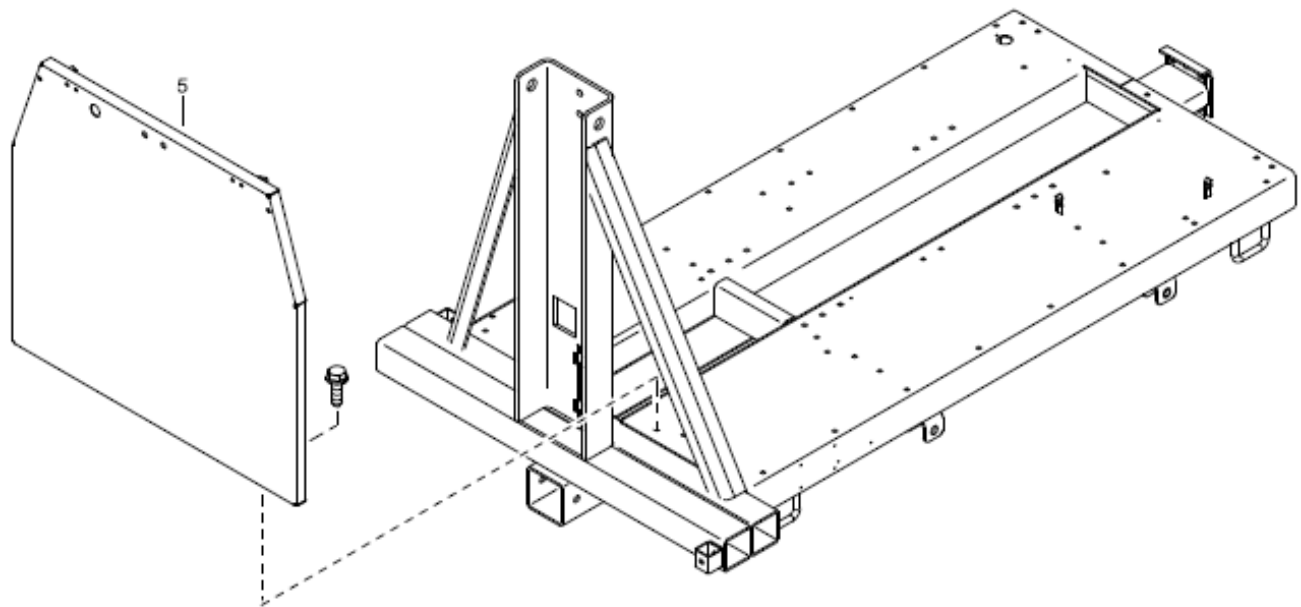
Позиция	№ детали	Название	К-во	L
5	1092619800	Mast base	1	
10	0300012930	Plain washer	1	
15	0291112843	Nut lock	1	
20	1092634600	Mast	1	
25	0147196272	Parafuso din931	3	
30	1092637000	Handle tighten light tower	1	
35	0147136703	Hex. head screw	1	
40	0301234400	Washer-flat	1	
45	0291111100	Locknut	1	
50	1092620100	Mast	1	
55	0300012930	Plain washer	2	
60	1092830800	Wrench	1	
65	0147136203	Screw	3	
70	0301234400	Washer-flat	3	
75	0291111100	Locknut	3	
80	1092637800	U bolt	1	
85	0261211100	Nut	2	
90	0301234400	Washer-flat	2	
95	0291111100	Locknut	2	
100	1092638000	Plate nylon	1	
105	0160607900	Screw	2	
110	1092638000	Plate nylon	1	
115	0160607900	Screw	2	
120	1092694600	Plate nylon	1	
125	0160608100	Screw	2	
140	1092637400	Pulley	1	
145	1092637500	Pin pulley	1	
150	0111130503	Pin split	1	
155	0301235800	Washer-flat	1	
161	0147125403	Bolt	1	
165	0301232100	Washer-flat	1	
170	0291110800	Locknut	1	
175	0147140103	Screw	4	
176	0266211200	Nut	4	
180	1092620000	Mast	1	

Refer to the Parts Online web page for most up-to-date information. The printed information might be outdated.

Позиция	№ детали	Название	К-во	L
185	1092639000	Steel	1	
205	1092637400	Pulley	1	
210	1092637500	Pin pulley	1	
215	0111130503	Pin split	1	
220	0301235800	Washer-flat	1	
226	0147125403	Bolt	1	
230	0301232100	Washer-flat	1	
235	0291110800	Locknut	1	
240	1092638100	Plate nylon	1	
245	0160607900	Screw	2	
250	1092638100	Plate nylon	1	
255	0160607900	Screw	2	
260	1092694700	Plate nylon	1	
265	0160607900	Screw	2	
270	1092638200	Plate nylon	3	
275	0160607900	Screw	1	
280	1092619900	Mast	1	
285	1092639100	Steel rope	1	
305	1092621400	Support lamp light tower	1	
311	0147145003	Screw DIN931	2	
316	0301237100	Washer DIN125	4	
321	0291111300	Nut DIN985	2	
325	0147124403	Screw	3	
330	1613080107	Pipe clamp	6	
336	0291111000	Locknut	1	
340	1092686400	Pin rope	1	
345	1092686500	Pin rope	1	
350	0111123103	Pin rope	2	
355	0301238600	Spring washer	8	
360	0291112836	Nut lock	4	

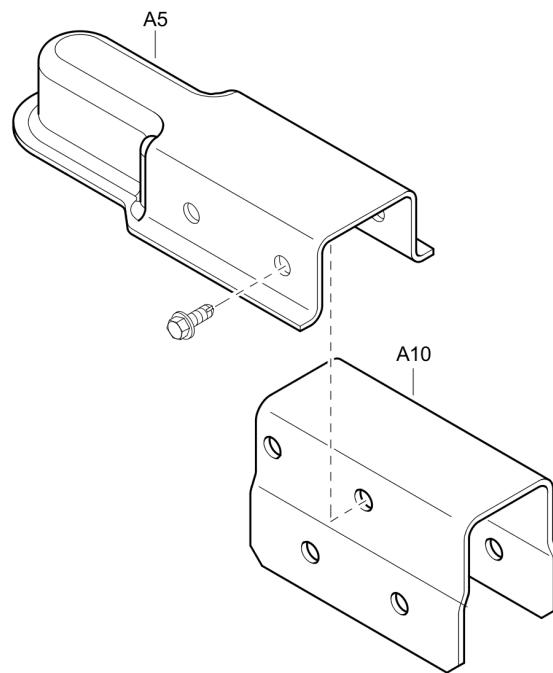
Данная страница изначально оставлена
пустой

Mechanical 1625090085_00 E-stop



Позиция	№ детали	Название	К-во	L
5	1092724600	Panel	1	

Mechanical 1625090038_00 Ball coupling



Позиция	№ детали	Название	К-во	L
A5	1092716000	Ball coupling	1	
A10	1092718900	Towing connection	1	

Mechanical 1625054220_00 Markings

WARNING
 TO TRANSLATE THIS INFORMATION INTO YOUR LANGUAGE, PLEASE CONTACT THE LOCAL OFFICE OF THE MANUFACTURER. THIS INFORMATION IS PROVIDED FOR YOUR INFORMATION ONLY. IT IS NOT A SUBSTITUTE FOR THE ORIGINAL INSTRUCTIONS. THE ORIGINAL INSTRUCTIONS ARE THE ONLY SOURCE OF INFORMATION FOR THE PROPER USE OF THIS EQUIPMENT.

ADVERTENCIA
 PARA TRANSLAR ESTA INFORMACION A SU LENGUA, POR FAVOR CONTACTE LA OFICINA LOCAL DEL FABRICANTE. ESTA INFORMACION SE PROPORCIONA SOLO PARA SU INFORMACION. NO ES UN SUSTITUTO DE LAS INSTRUCCIONES ORIGINALES. LAS INSTRUCCIONES ORIGINALES SON LA UNICA FUENTE DE INFORMACION PARA EL USO CORRECTO DE ESTE EQUIPO.

AVERTISSEMENT
 POUR TRANSLER CE TEXTE DANS VOTRE LANGUE, VOUZ DEVEZ CONTACTER LE BUREAU LOCAL DU FABRICANT. CE TEXTE EST FOURNI SEULEMENT A TITRE D'INFORMATION. IL NE DOIT PAS ETRE CONSIDERE COMME UN REMPLACEMENT DES INSTRUCTIONS D'ORIGINE. SEULEMENT LES INSTRUCTIONS D'ORIGINE FOURNISSENT LES SEULES RENSEIGNEMENTS NECESSAIRES POUR L'UTILISATION CORRECTE DE CE MATERIEL.

AVVERTIMENTO
 PER TRADURRE QUESTA INFORMAZIONE IN UN'altra lingua, si prega di contattare l'ufficio locale del produttore. Questa informazione è fornita solo a scopo informativo. Non è un sostituto delle istruzioni originali. Le istruzioni originali sono l'unica fonte di informazioni per l'uso corretto di questo equipaggiamento.

警告
 要将此信息翻译成您的语言，请联系当地的制造商办公室。此信息仅供参考，不能替代原始说明。原始说明是正确使用该设备的唯一信息来源。

警告
 この情報をあなたの言語に翻訳するには、製造元の現地事務所にお問い合わせください。この情報は参考情報であり、元の説明書の代わりにはなりません。元の説明書は、この装置の正しい使用方法に関する唯一の情報源です。

警告
 Чтобы перевести эту информацию на свой язык, пожалуйста, свяжитесь с местным отделением производителя. Эта информация предоставляется только в информационных целях. Она не заменяет оригинальные инструкции. Оригинальные инструкции являются единственным источником информации для правильного использования этого оборудования.

CAUTION
 OPERATE WINCH-CABLES
 OPERAZIONE CINGHIELE
 OPERACIÓN CABLES

2.7 bar / 39 psi
2.7 bar / 39 psi

DANGER
 HIGH VOLTAGE
 CONTACT WILL CAUSE
 SEVERE BURNS OR DEATH

DIESEL

**COOLANT OVERFLOW BOTTLE ONLY,
 NOT A RETURN SYSTEM
 NUR KÜHLMITTELBERLAUFFLASCHE --
 KEIN RÜCKHOLMSYSTEM!
 BOTELLA DE REBOSE DEL ENFRÍADOR --
 NO ES UN SISTEMA DE RETORNO
 BOUTEILLE DE TROP-PLEIN DE L'AGENT
 REFRIGÉRANT SEULEMENT;
 CE N'EST PAS UN SYSTÈME DE RETOUR**

METAL HALIDE LAMP INFORMATION
 INFORMATION CONCERNANT LES PRODUITS À HALOGENE METAL

WARNING
 COMPLETELY LOWER TOWER BEFORE TILTING
 COMPLETELY LOWER TOWER BEFORE TILTING
 COMPLETELY LOWER TOWER BEFORE TILTING

ADVERTENCIA
 BAJAR COMPLETAMENTE LA TORRE ANTES DE INCLINARLA
 BAJAR COMPLETAMENTE LA TORRE ANTES DE INCLINARLA
 BAJAR COMPLETAMENTE LA TORRE ANTES DE INCLINARLA

AVERTISSEMENT
 BASSER COMPLETAMENTE LA TOUR AVANT D'INCLINER
 BASSER COMPLETAMENTE LA TOUR AVANT D'INCLINER
 BASSER COMPLETAMENTE LA TOUR AVANT D'INCLINER

AVVERTIMENTO
 BASSARE COMPLETAMENTE LA TORRE PRIMA DI INCLINARLA
 BASSARE COMPLETAMENTE LA TORRE PRIMA DI INCLINARLA
 BASSARE COMPLETAMENTE LA TORRE PRIMA DI INCLINARLA

警告
 倾斜前完全放下塔架
 倾斜前完全放下塔架
 倾斜前完全放下塔架

警告
 傾斜する前に完全にタワーを下ろす
 傾斜する前に完全にタワーを下ろす
 傾斜する前に完全にタワーを下ろす

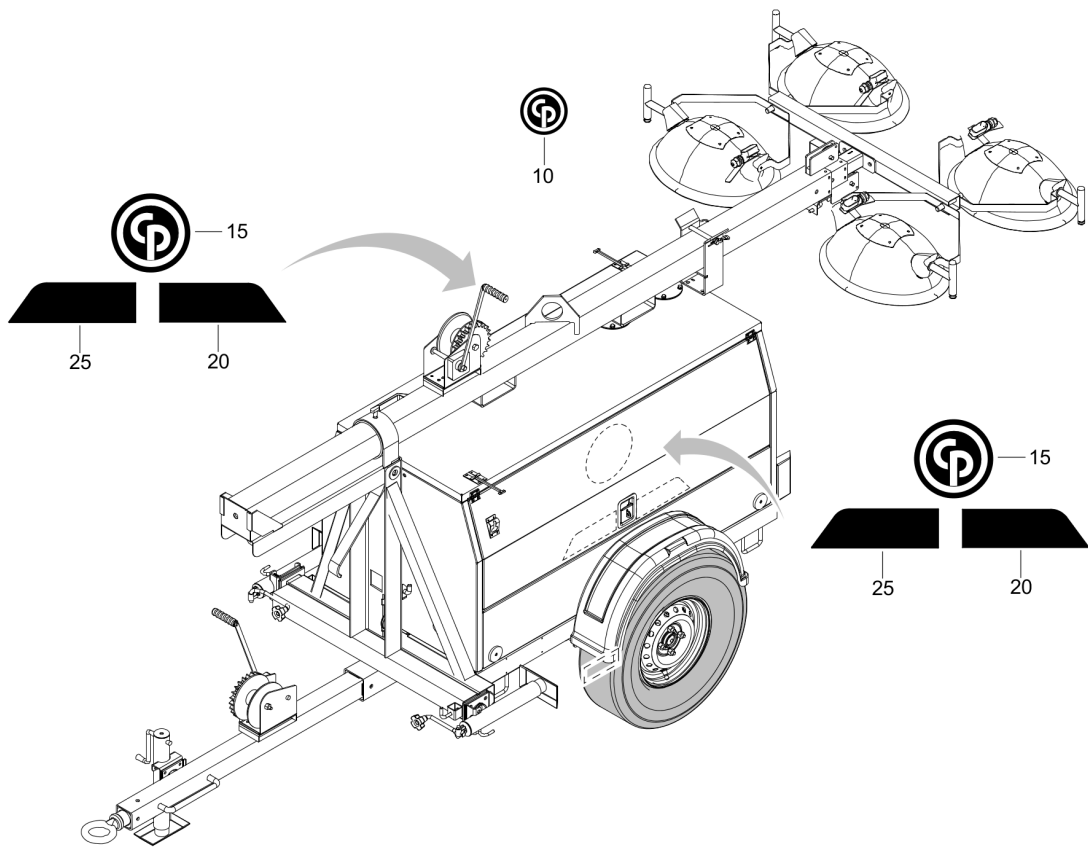
警告
 傾斜する前に完全にタワーを下ろす
 傾斜する前に完全にタワーを下ろす
 傾斜する前に完全にタワーを下ろす

Refer to the Parts Online web page for most up-to-date information. The printed information might be outdated.

Позиция	№ детали	Название	К-во	L
15	1092680400	Decal	1	
20	1092680500	Decal	1	
25	1092680600	Decal	2	
30	1092680700	Decal	1	
35	1092680800	Decal	1	
40	1092680900	Decal	1	
45	1092681000	Decal	1	
50	1092681100	Decal	1	
55	1092681200	Decal	1	
60	1092681300	Decal	1	
65	1092681400	Decal	1	
70	1092681500	Decal	2	
75	1092681600	Decal	1	
80	1092681700	Decal	1	
85	1092681800	Decal	1	
90	1092681900	Decal	1	
95	1092682000	Decal	1	
100	1092682100	Decal	1	
105	1092682200	Decal	2	
110	1092682300	Decal	1	
115	1092682400	Decal	5	
120	1092682500	Decal	1	
125	1092682600	Decal	2	
130	1092682900	Decal	1	
135	1092683000	Decal	1	
145	1092688700	Decal	3	
150	1092688900	Decal	1	
155	1092689000	Decal	1	
160	1092689100	Decal	1	
165	1092717600	sticker	2	
170	1092719100	Decal	1	
175	1079991951	Sticker	2	
180	1079990255	Label	1	
190	1098682700	Decal	1	

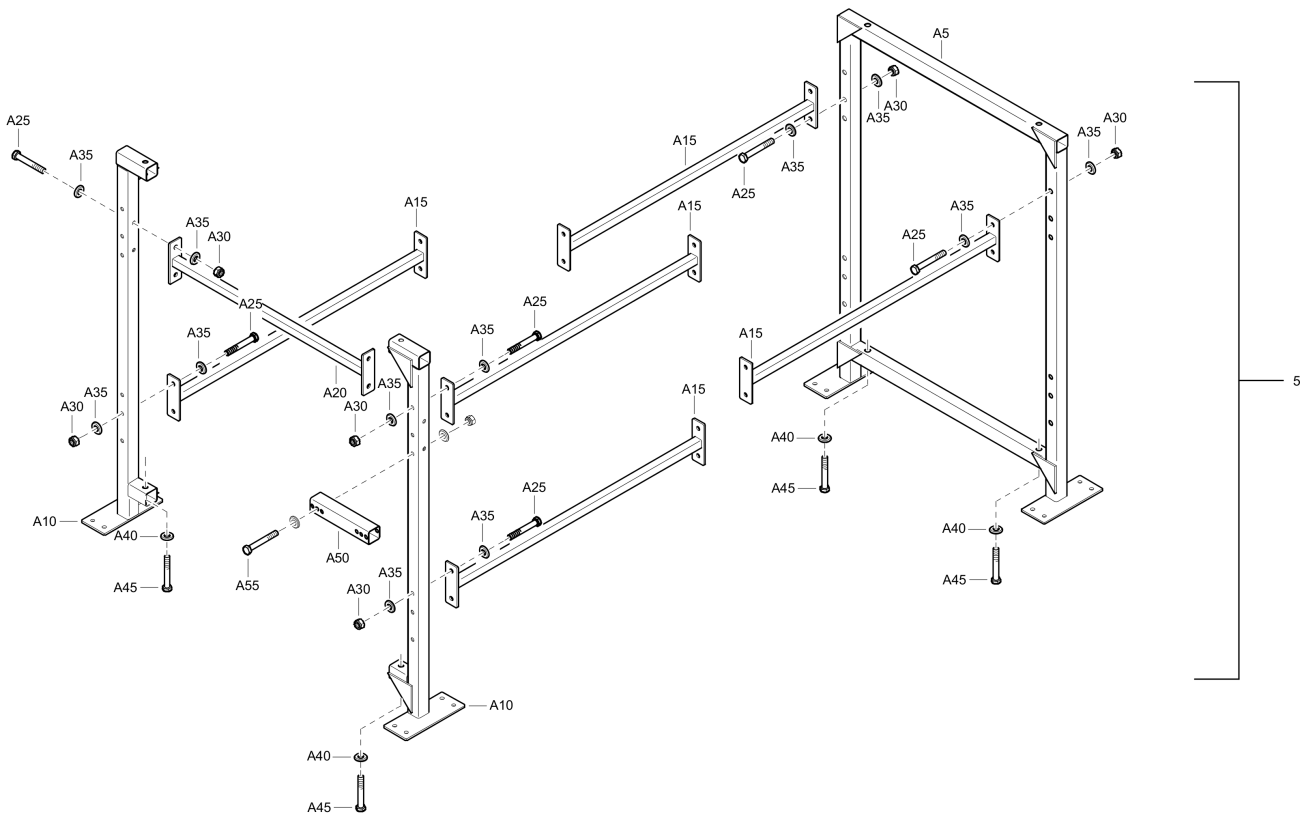
Refer to the Parts Online web page for most up-to-date information. The printed information might be outdated.

Mechanical 1625090093_01 Markings



Позиция	№ детали	Название	К-во	L
10	1092731200	Decal	1	
15	1626537301	Label	2	
20	1092734000	Sticker	2	
25	1092734100	Sticker	2	

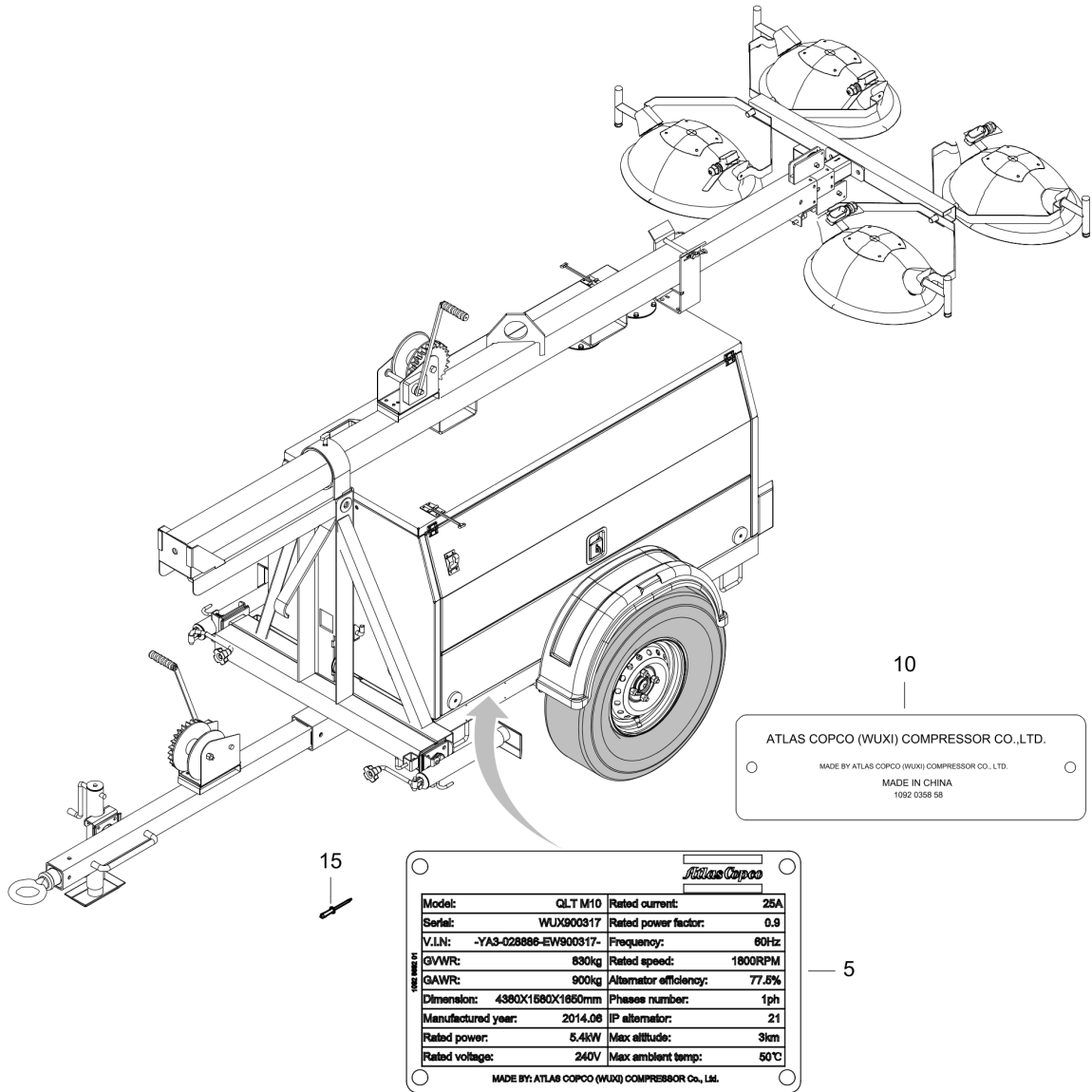
Mechanical 1625090034_00 Rack version



Refer to the Parts Online web page for most up-to-date information. The printed information might be outdated.

Позиция	№ детали	Название	К-во	L
5	1092640280	Rack system	1	
A5	1092640200	Support rack	1	
A10	1092640300	Support rack	2	
A15	1092640400	Support rack	4	
A20	1092640500	Support rack	1	
A25	0147141103	Bolt	20	
A30	0291111200	Nut DIN985	20	
A35	0300027492	Washer	40	
A40	0301237100	Washer DIN125	4	
A45	0147144703	Screw	4	
A50	1092719000	Connector rack	1	
A55	0147141903	Hex. head screw	2	

Mechanical 1625090041_02 Data plate



10

ATLAS COPCO (WUXI) COMPRESSOR CO.,LTD.

MADE BY ATLAS COPCO (WUXI) COMPRESSOR CO., LTD.

MADE IN CHINA

1092 0368 58

15

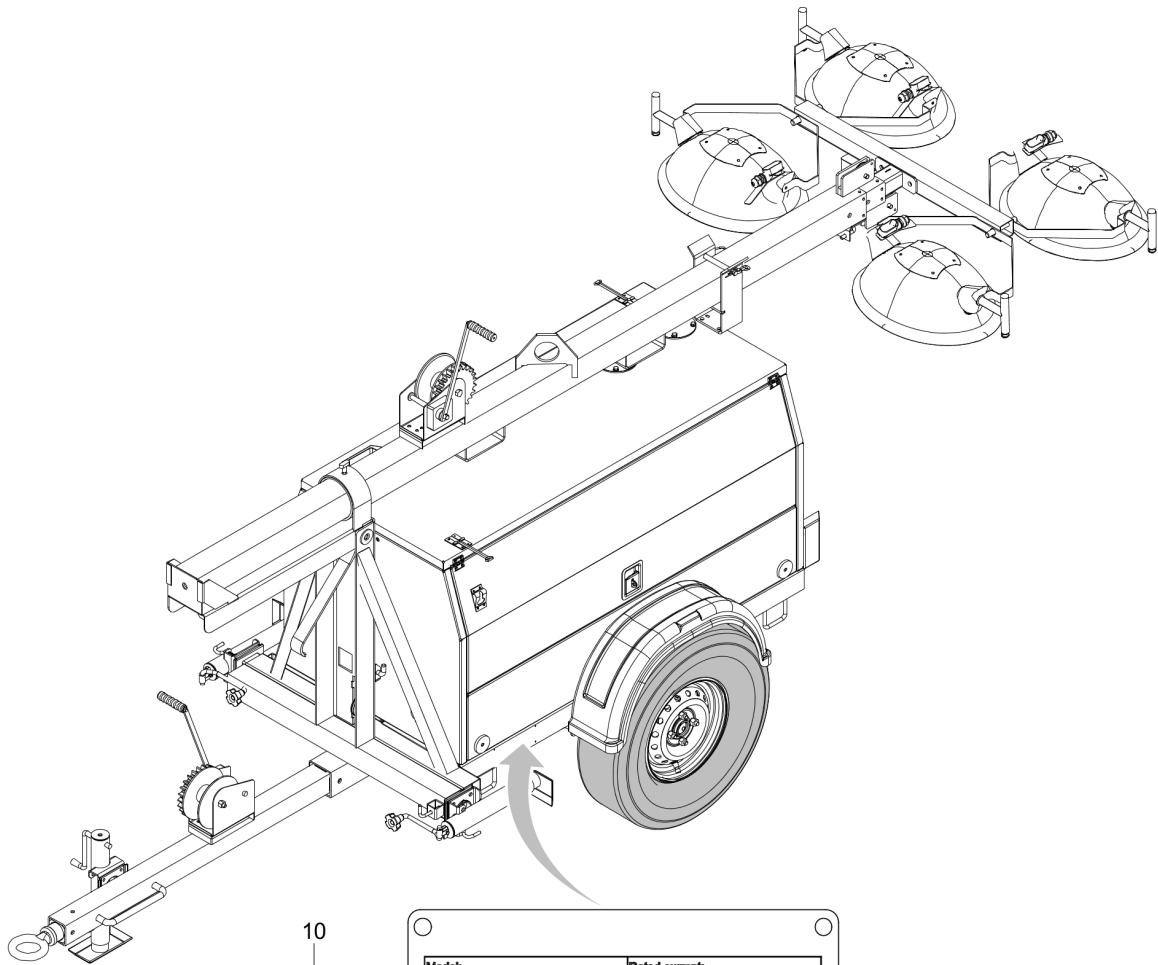
<i>Atlas Copco</i>			
Model:	QLT M10	Rated current:	25A
Serial:	WUX900317	Rated power factor:	0.9
V.I.N:	-YA3-028886-EW900317-	Frequency:	60Hz
G.V.W.R:	830kg	Rated speed:	1800RPM
G.A.W.R:	900kg	Alternator efficiency:	77.6%
Dimension:	4380X1680X1660mm	Phase number:	1ph
Manufactured year:	2014.08	IP alternator:	21
Rated power:	5.4kW	Max altitude:	3km
Rated voltage:	240V	Max ambient temp:	50°C
MADE BY ATLAS COPCO (WUXI) COMPRESSOR Co., Ltd.			

5

Refer to the Parts Online web page for most up-to-date information. The printed information might be outdated.

Позиция	№ детали	Название	К-во	L
5	1092689201	Data plate ac	1	
10	1092035858	Nameplate	1	
15	0129310300	Rivet	6	

Mechanical 1625090095_01 Data plate



Model:	Rated current:
Serial:	Rated power factor:
V.I.N.:	Frequency:
GVWR:	Rated speed:
GAWR:	Alternator efficiency:
Dimension:	Phases number:
Manufactured year:	IP alternator:
Rated power:	Max altitude:
Rated voltage:	Max ambient temp:
MADE BY: ATLAS COPCO (WUX) COMPRESSOR Co., Ltd.	

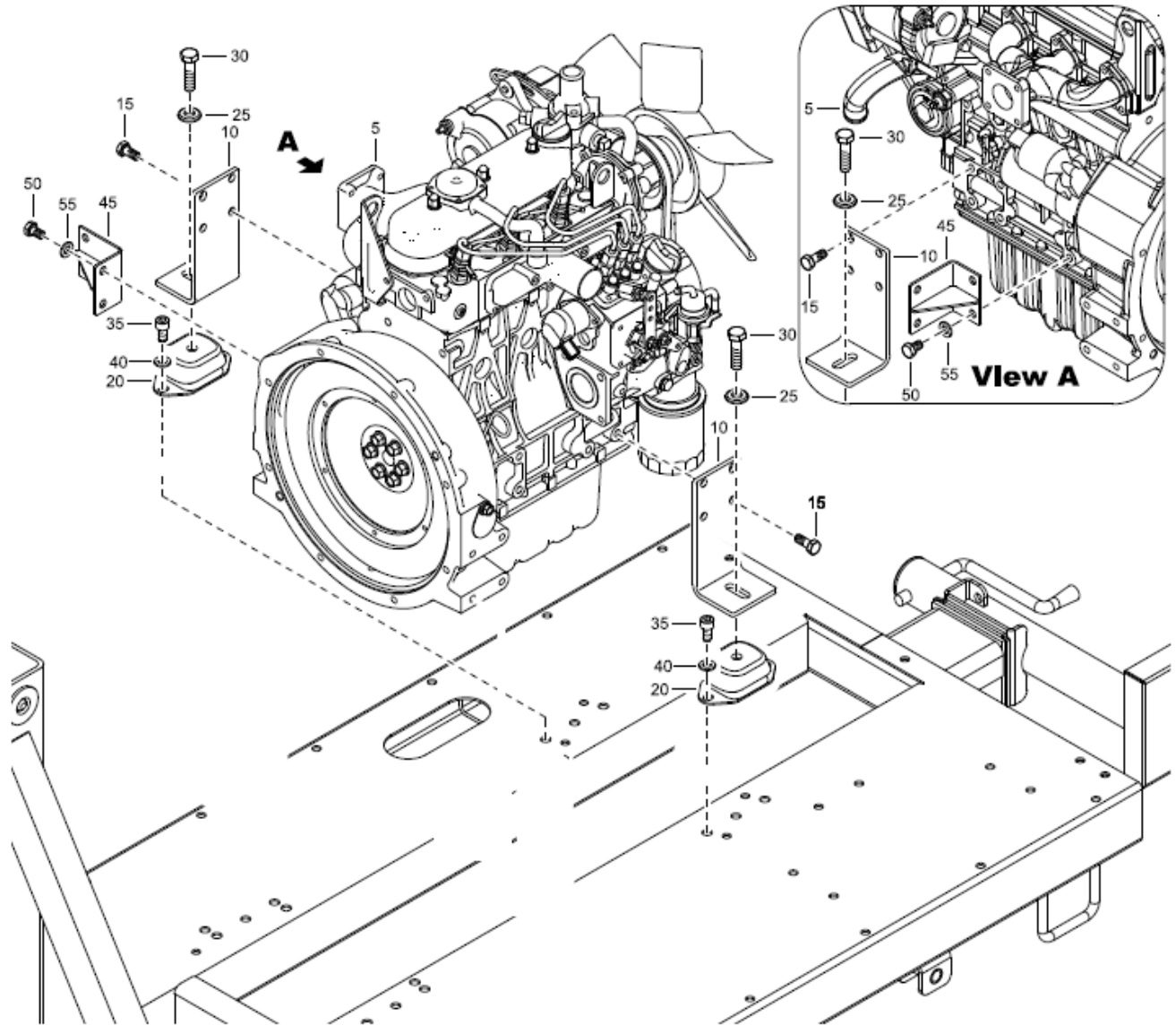
10


5

Refer to the Parts Online web page for most up-to-date information. The printed information might be outdated.

Позиция	№ детали	Название	К-во	L
5	1092734301	Data plate cp	1	
10	0129310300	Rivet	4	

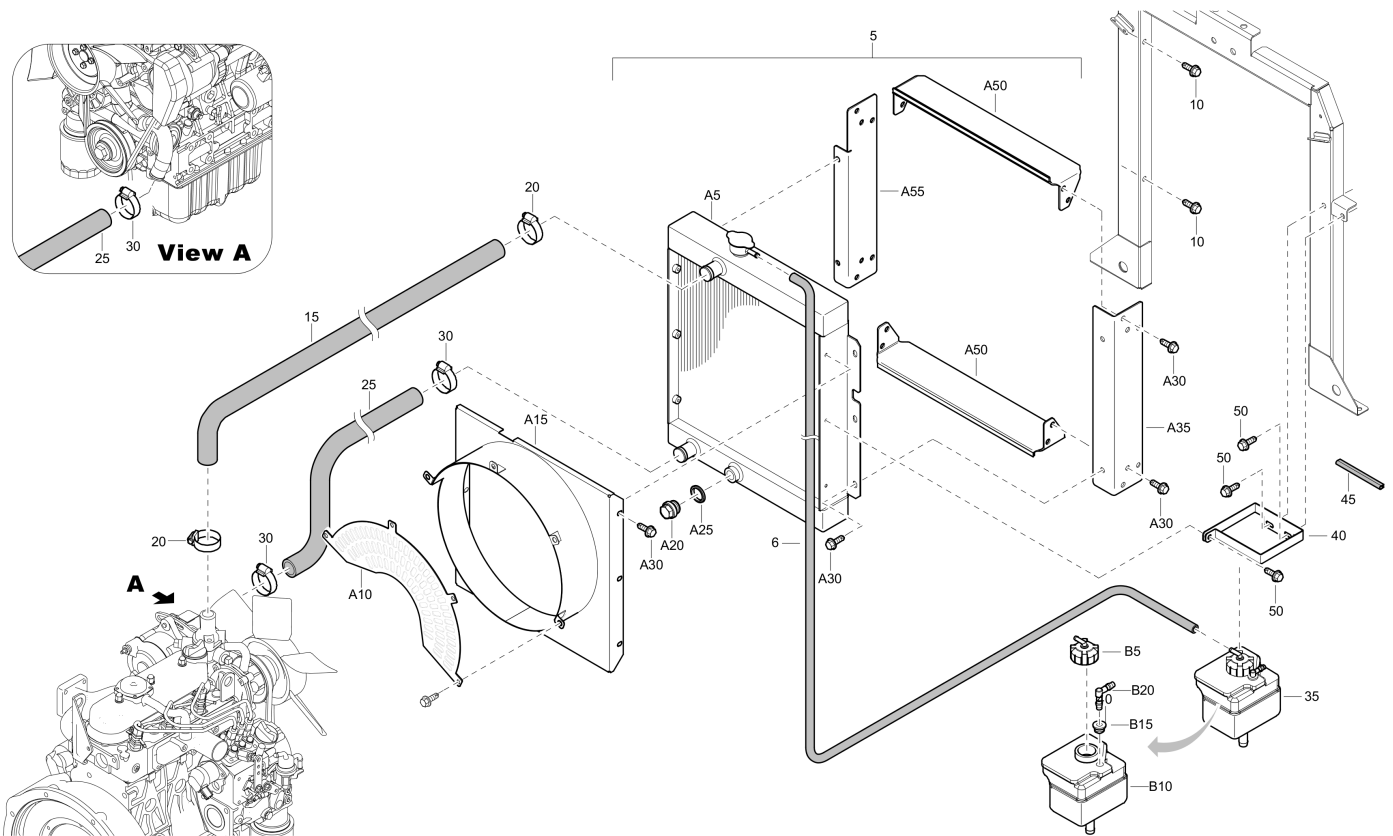
Engine 1625054300_00 Engine



Refer to the Parts Online web page for most up-to-date information. The printed information might be outdated.

Позиция	№ детали	Название	К-во	L
5	1092628700	Engine	1	
10	1092622500	Support engine	2	
15	0147195945	Hex. head screw	8	
20	1092636700	Damper engine light tower	2	
25	0300027492	Washer	2	
30	0147140303	Hex.bolt-m12x40	2	
35	0211136003	Hexagon socket screw	4	
40	0301234400	Washer-flat	4	
45	1092637100	Support	1	
50	0147135903	Screw	2	
55	0301234400	Washer-flat	2	

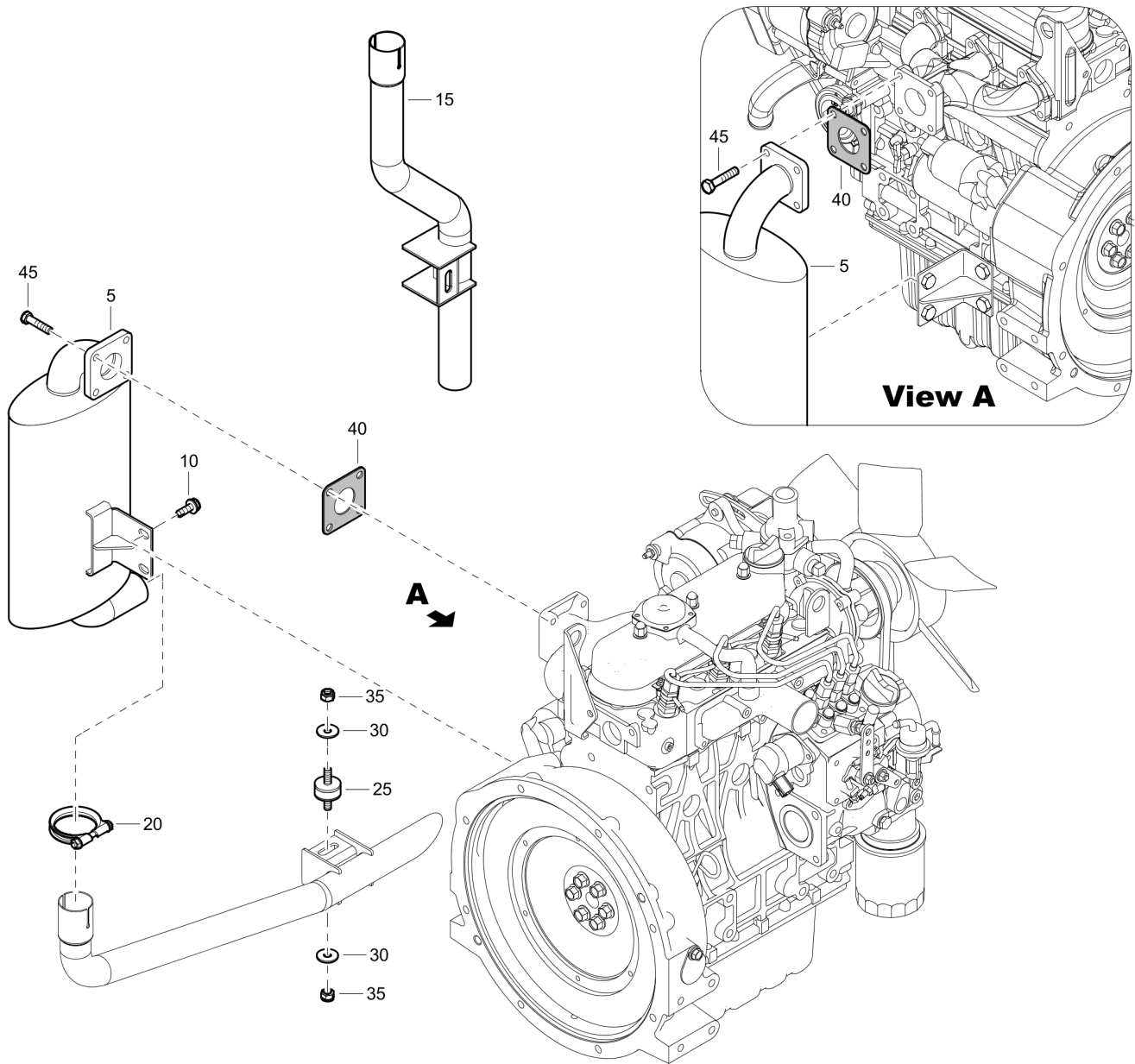
Engine 1625054213_00 Cooling system



Refer to the Parts Online web page for most up-to-date information. The printed information might be outdated.

Позиция	№ детали	Название	К-во	L
5	1092624180	Cooler assembly	1	
A5	1092624100	Cooler light tower	1	
A10	1092629100	Fan guard	1	
A15	1092625400	Fan cowl	1	
A20	0686371602	Cap	1	
A25	0661103300	Sealing washer	1	
A30	1619276600	Paint stripping	12	
A35	1092624300	Cooler bracket	1	
A50	1092709700	Cooler plate	2	
A55	1092709400	Plate cooler	1	
6	0075402599	Hose	AR	
10	1619276600	Paint stripping	4	
15	1092625700	Hose cooler upper light tower	1	
20	0347610900	Hose clamp	2	
25	1092637700	Hose cooler lower light tower	1	
30	0347610900	Hose clamp	2	
35	1092639680	Overflow tank	1	
B5	1092639700	Cap no pressure valve	1	
B10	1092639600	Overflow tank body	1	
B15	1615665200	Grommet	1	
B20	1615665100	Adaptor	1	
40	1092637200	Bracket overflow tank	1	
45	1503105600	Seal	AR	
50	1619276600	Paint stripping	3	

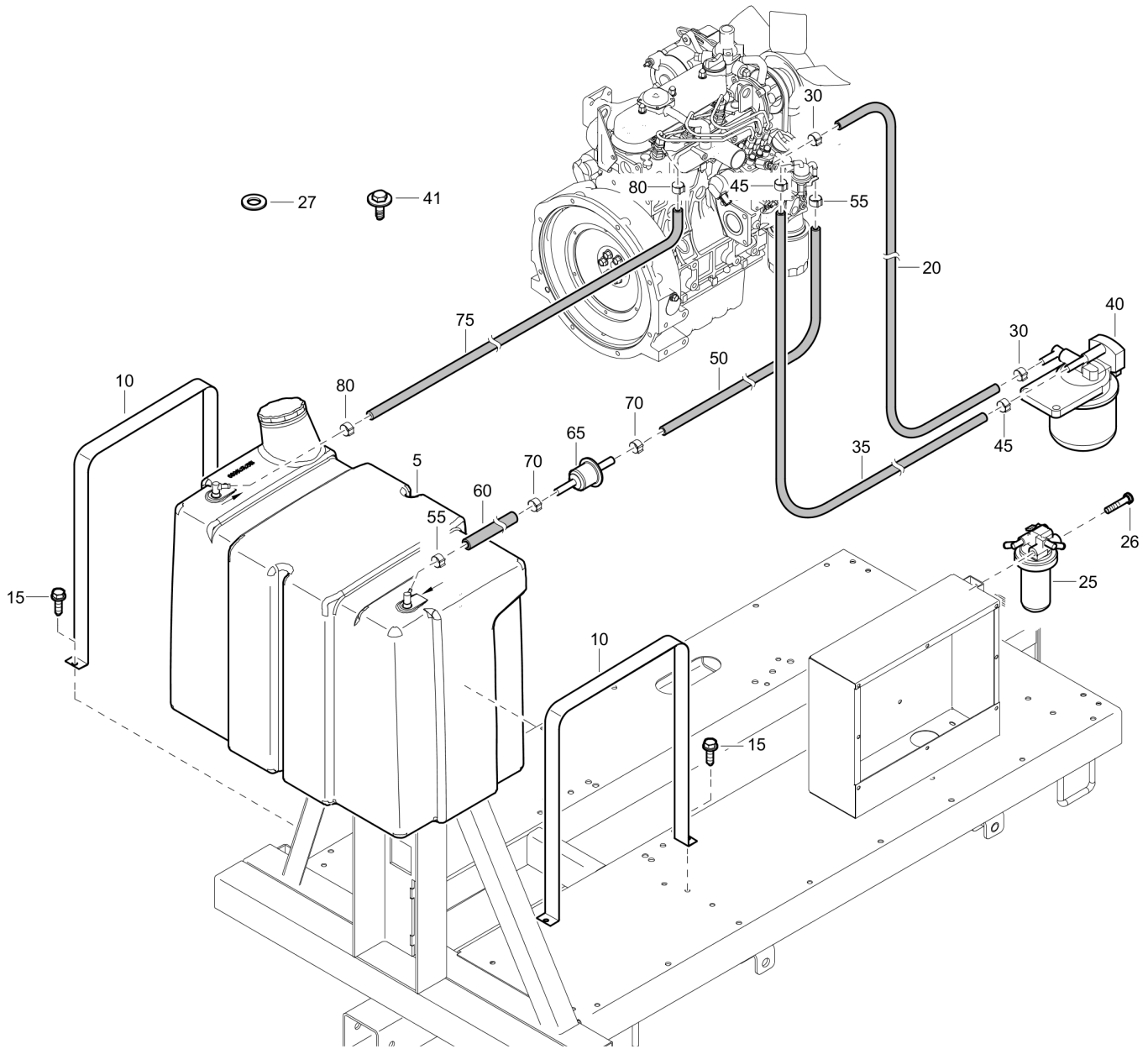
Engine 1625054216_03 Exhaust light



Refer to the Parts Online web page for most up-to-date information. The printed information might be outdated.

Позиция	№ детали	Название	К-во	L
5	1092707400	Muffler	1	
10	1619276600	Paint stripping	2	
15	1092707500	Tail pipe	1	
20	1094450700	Clamp	1	
25	1604013400	Buffer	1	
30	0300801900	Plain washer	2	
35	0291118504	Locknut	2	
40	1092639300	Gasket kubota light tower	1	
45	1092639400	Bolt kubota light tower	4	

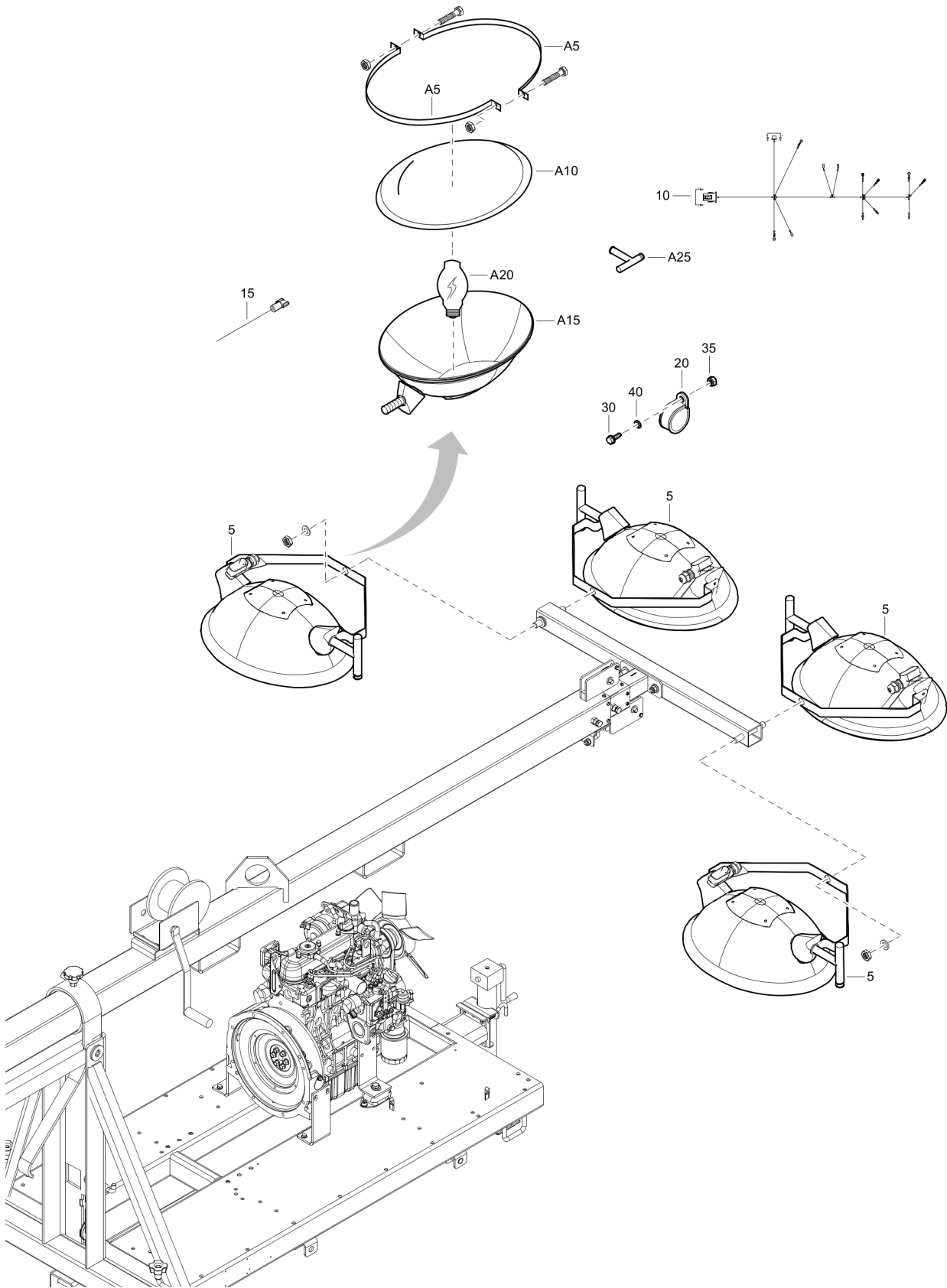
Engine 1625054217_06 Fuel system



Refer to the Parts Online web page for most up-to-date information. The printed information might be outdated.

Позиция	№ детали	Название	К-во	L
5	1092628600	Fuel tank	1	
10	1092636500	Strip	2	
15	1619276600	Paint stripping	4	
20	1092848300	Fuel hose	AR	
25	1092638600	Water seperator	1	
26	0147133203	Hex. head screw	1	
27	0301233500	Washer	1	
30	1604413700	Hose clip	2	
35	1092848300	Fuel hose	AR	
40	1092638700	Fuel filter	1	
41	1615566400	Bolt	2	
45	1604413700	Hose clip	2	
50	1092848300	Fuel hose	AR	
55	1604413700	Hose clip	2	
60	1092366100	Fuel hose	AR	
65	1092638800	Stop valve	1	
70	1092640100	Hose clip (engine)	2	
75	1092366100	Fuel hose	AR	
80	1092640100	Hose clip (engine)	2	

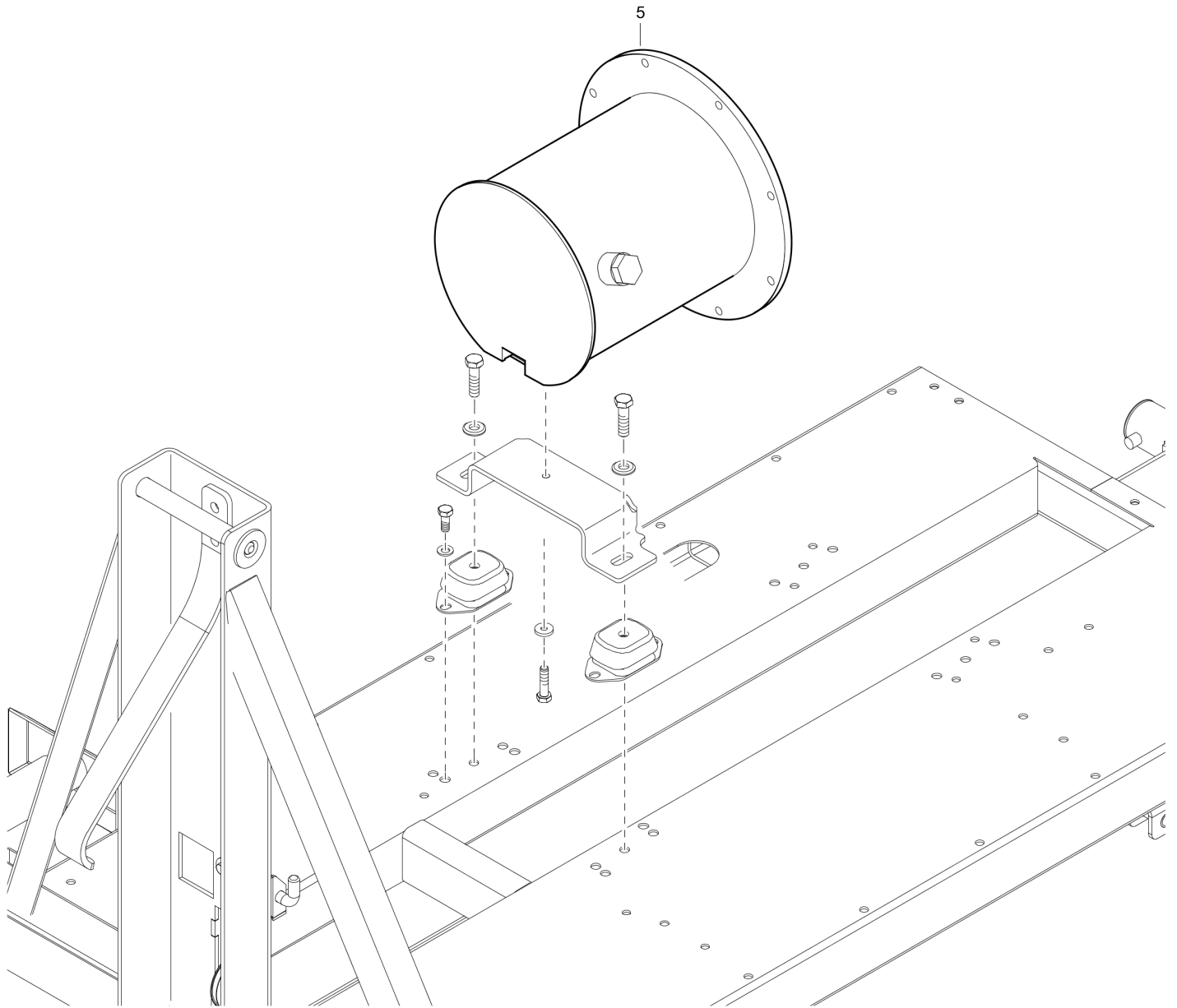
Electric system 1625054266_03 Electrical system



Refer to the Parts Online web page for most up-to-date information. The printed information might be outdated.

Позиция	№ детали	Название	К-во	L
5	1092629700	Lamp	4	
A5	1092683400	Flange ring	8	
A10	1092683500	Cover and gasket	4	
A15	1092683600	U-bracket	4	
A20	1092805900	Lamp Bulb	16	
A25	1310072612	T-handle	4	
10	1094055600	Harness	1	
15	1094301000	Cable capacitor	1	
20	1613080104	Pipe clamp	2	
30	1619589801	Hex bolt	2	
35	0291110800	Locknut	2	
40	0301232100	Washer-flat	2	

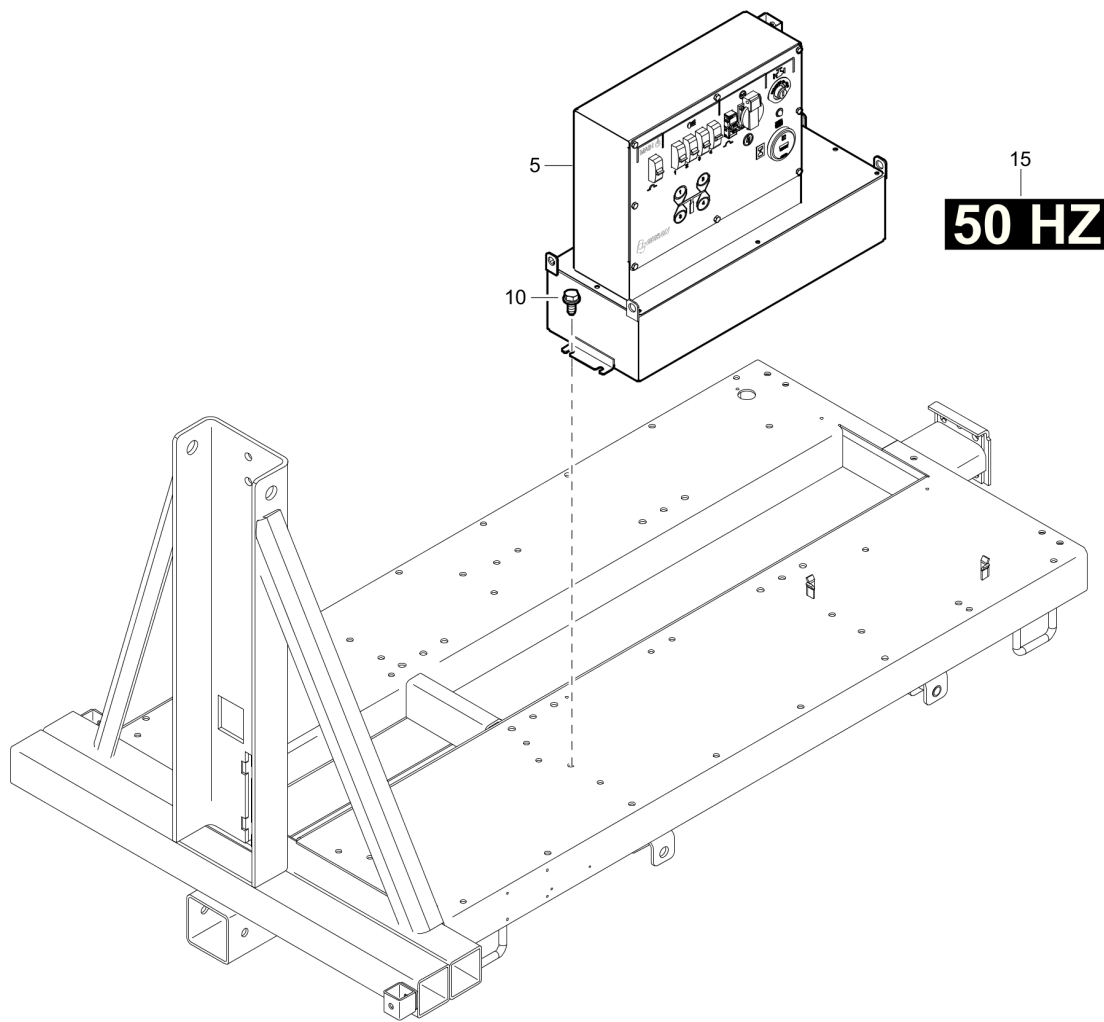
Electric system 1625054230_00 Alternator - 50 Hz light tower



Refer to the Parts Online web page for most up-to-date information. The printed information might be outdated.

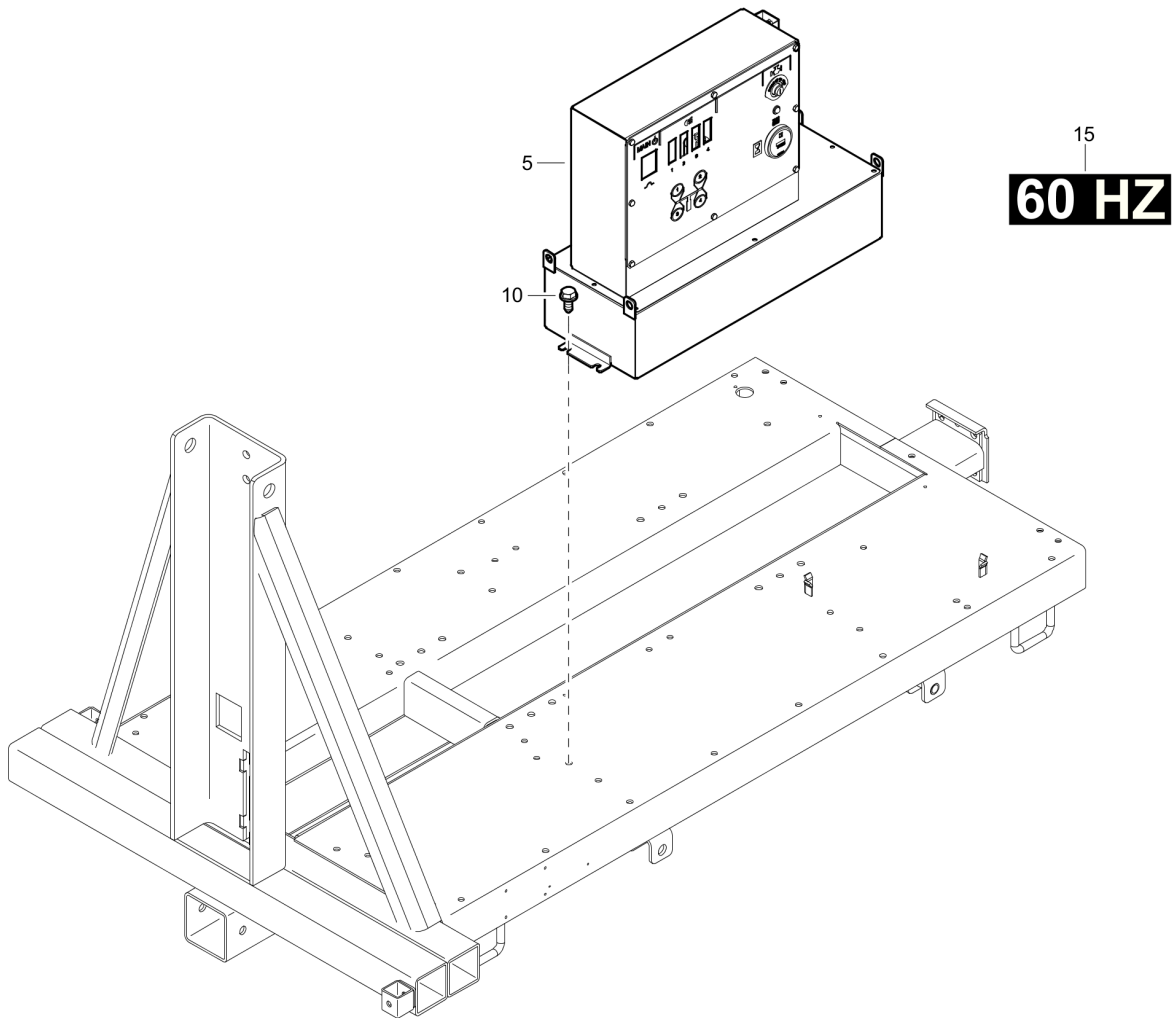
Позиция	№ детали	Название	К-во	L
5	1092623900	Alternator	1	

Electric system 1625090062_00 Cubicle - ELCB without socket 50 Hz



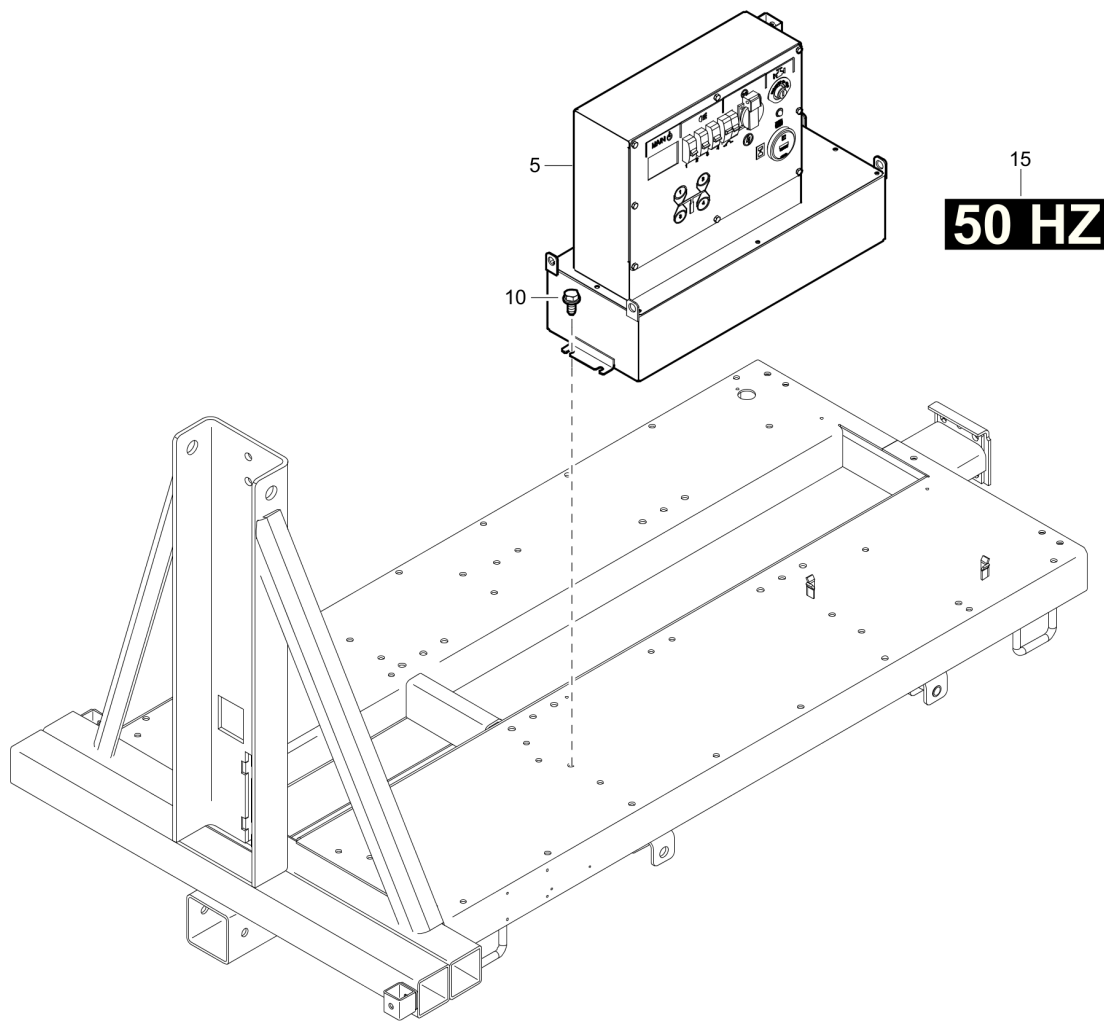
Позиция	№ детали	Название	К-во	L
5	1092727080	Cubicle	1	
10	1619276600	Paint stripping	4	
15	1092680300	Decal	1	

Electric system 1625090060_00 Cubicle - Cubicle with duplex 120V 60Hz socket



Позиция	№ детали	Название	К-во	L
5	1092727980	Cubicle	1	
10	1619276600	Paint stripping	4	
15	1092680200	Decal	1	

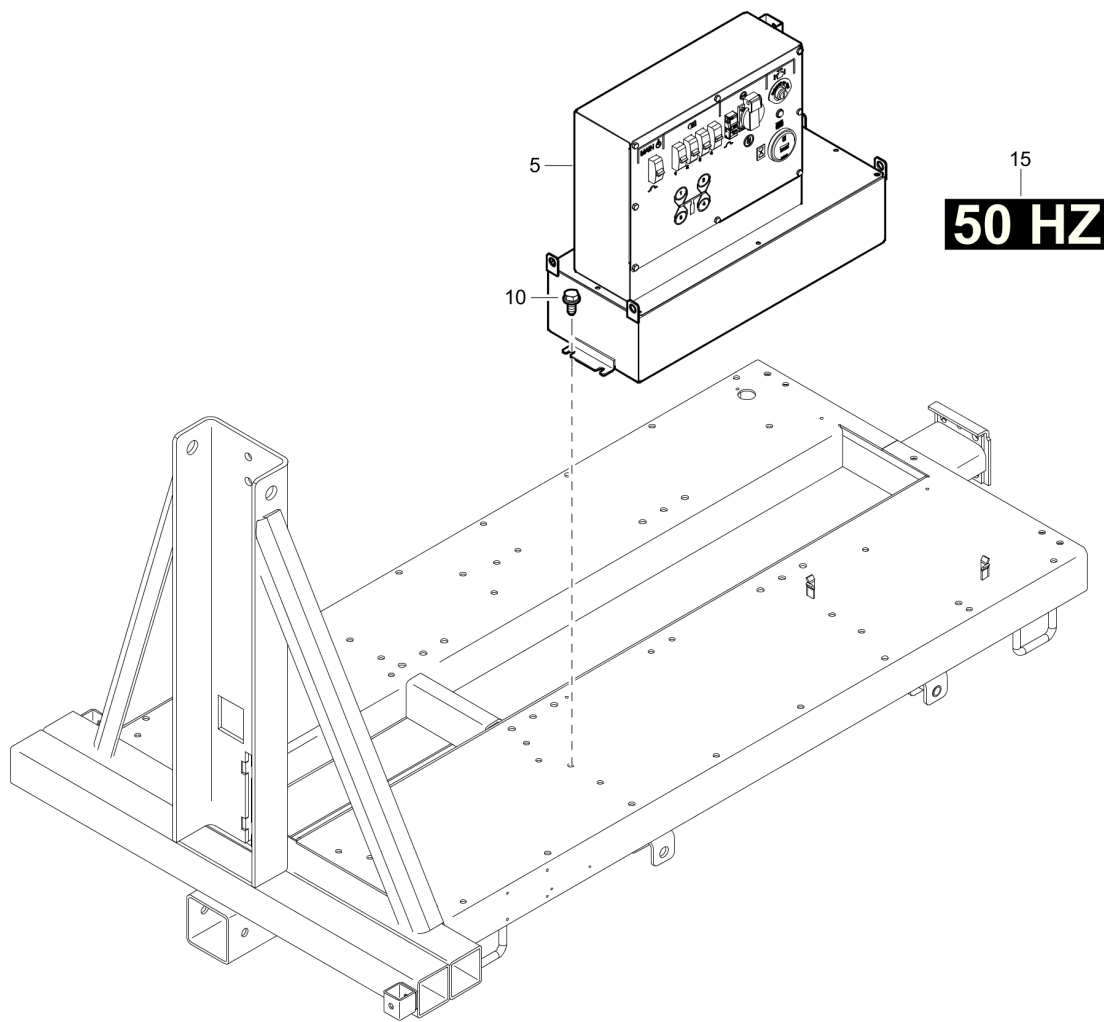
Electric system 1625090050_00 Cubicle - ELCB with WEIPU 230V 50 Hz socket



Refer to the Parts Online web page for most up-to-date information. The printed information might be outdated.

Позиция	№ детали	Название	К-во	L
5	1092719580	Cubicle	1	
10	1619276600	Paint stripping	4	
15	1092680300	Decal	1	

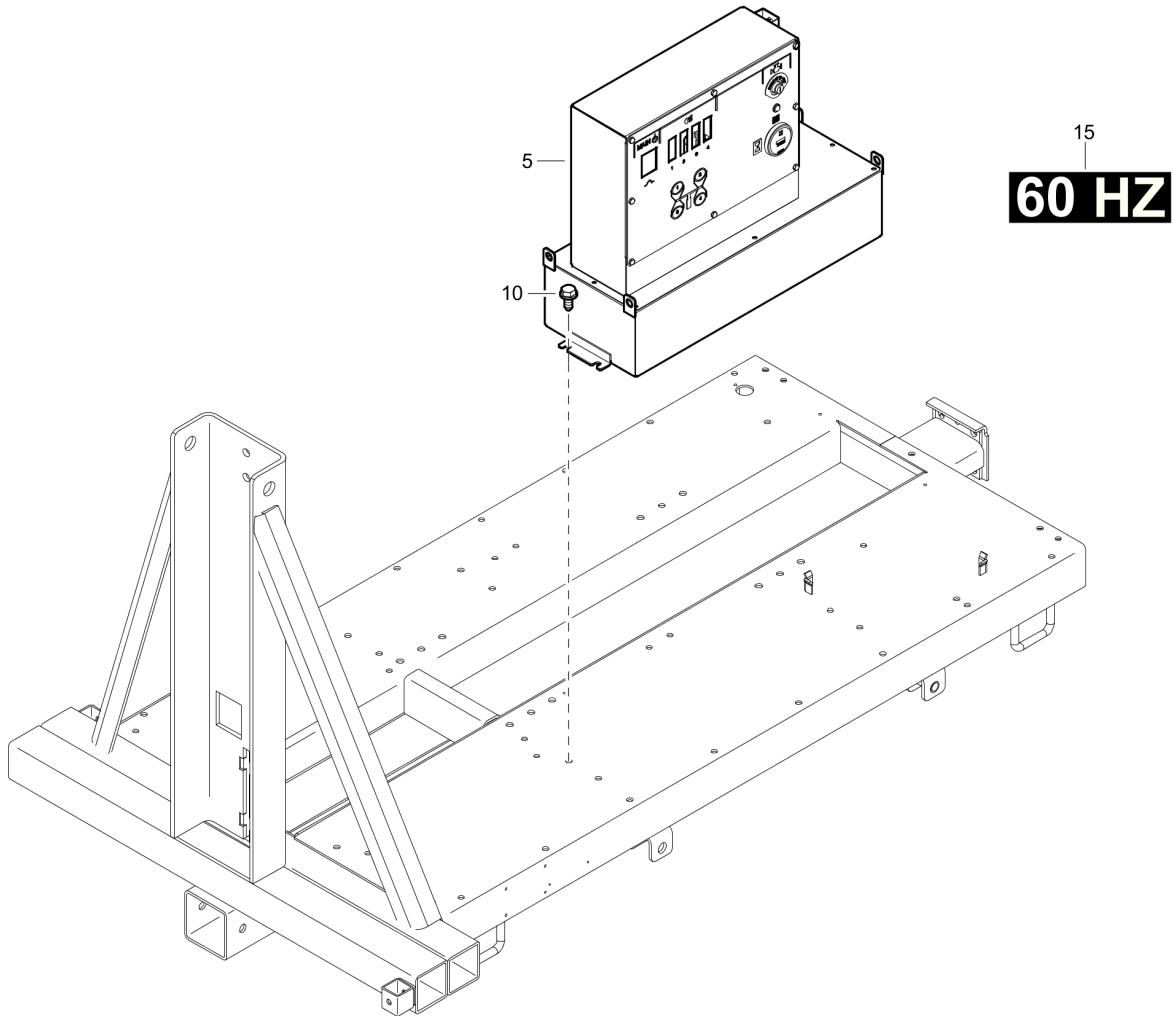
Electric system 1625055000_00 Cubicle - cubicle with weipu 230v 50 Hz socket



Refer to the Parts Online web page for most up-to-date information. The printed information might be outdated.

Позиция	№ детали	Название	К-во	L
5	1092626480	Cubicle	1	
10	1619276600	Paint stripping	4	
15	1092680300	Decal	1	

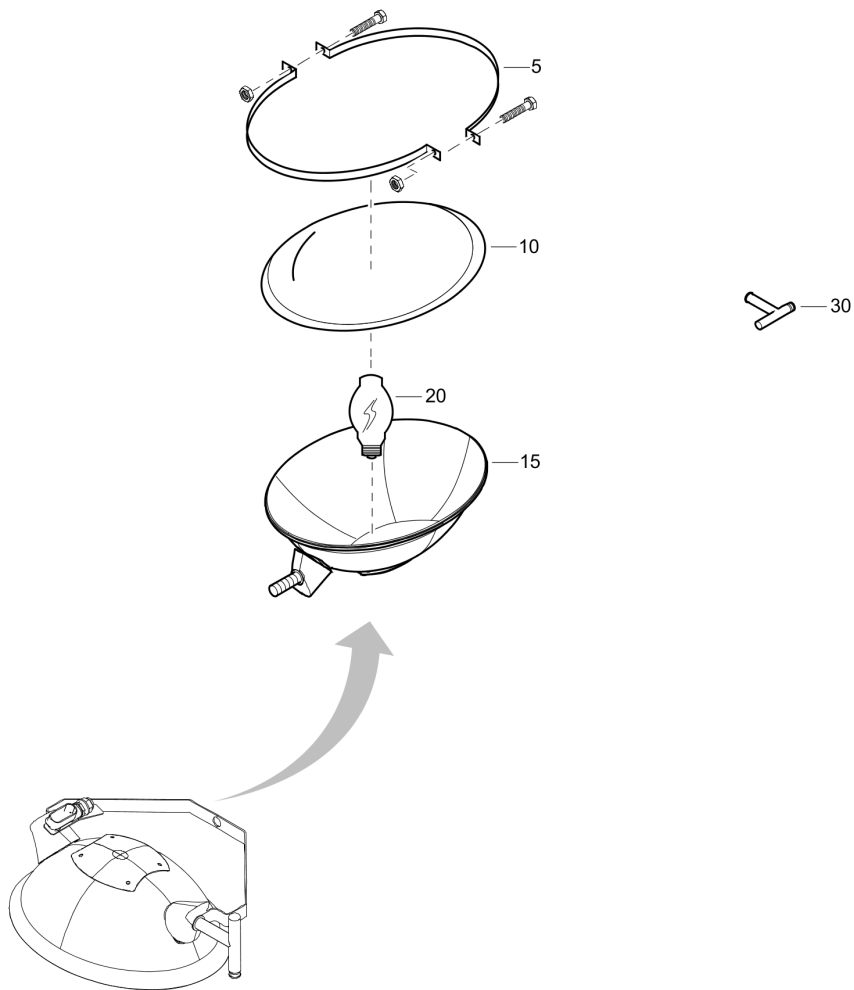
Electric system 1625090031_00 Cubicle - Cubicle with WEIPU 240V 60 Hz socket



Refer to the Parts Online web page for most up-to-date information. The printed information might be outdated.

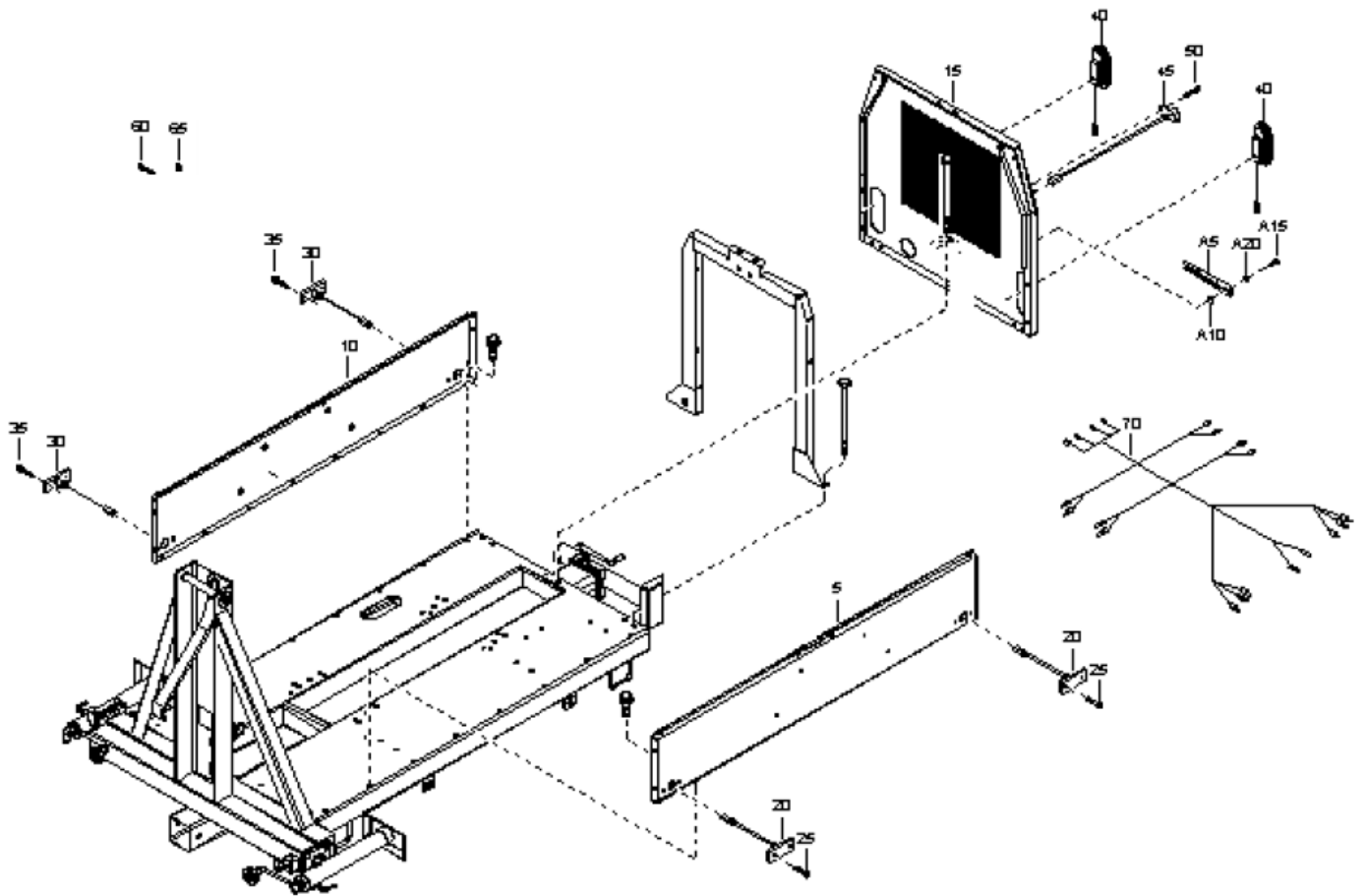
Позиция	№ детали	Название	К-во	L
5	1092632880	Cubicle	1	
10	1619276600	Paint stripping	4	
15	1092680200	Decal	1	

Electric system 1092629700_03 Lamp



Позиция	№ детали	Название	К-во	L
5	1092683400	Flange ring	2	
10	1092683500	Cover and gasket	1	
15	1092683600	U-bracket	1	
20	1092805900	Lamp Bulb	4	
30	1310072612	T-handle	4	

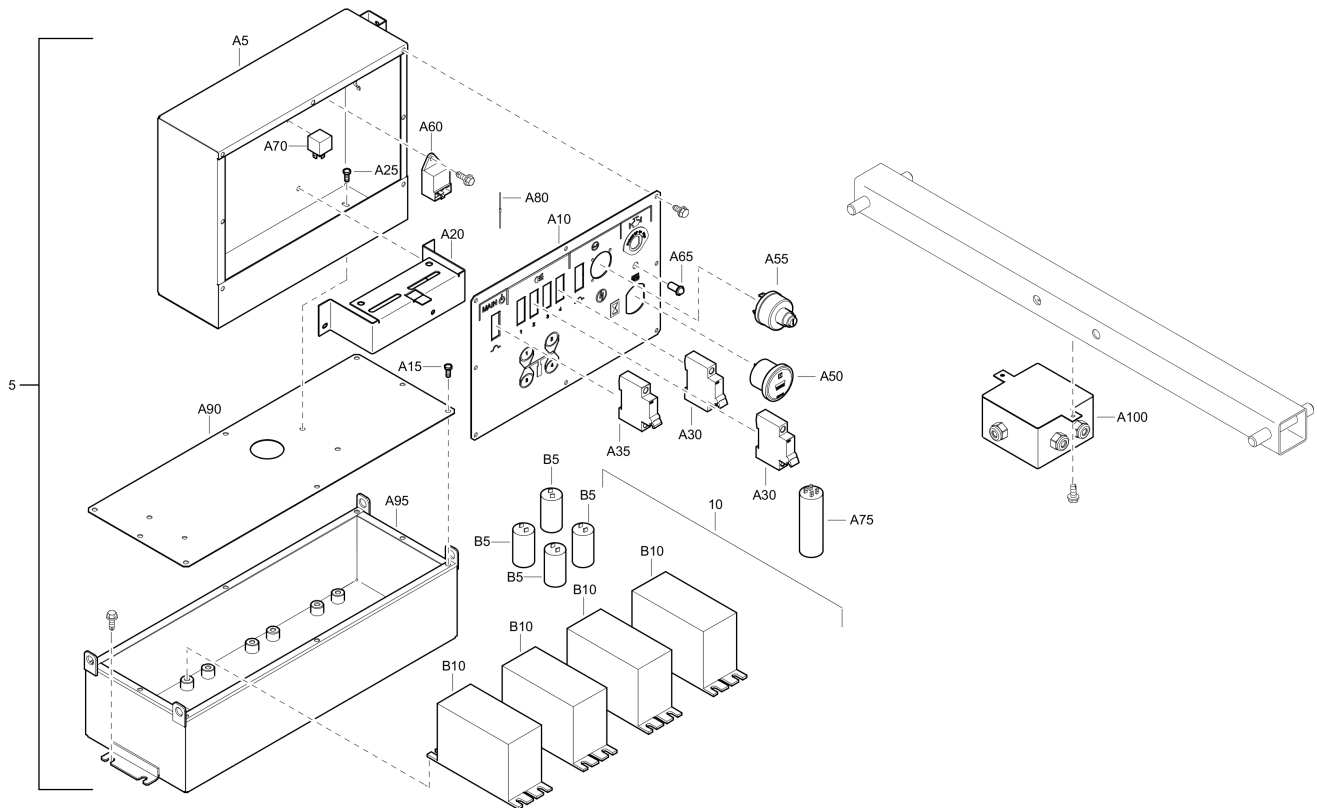
Electric system 1625090103_00 Cubicle - 50hz



Refer to the Parts Online web page for most up-to-date information. The printed information might be outdated.

Позиция	№ детали	Название	К-во	L
5	1092726100	Panel lh	1	
10	1092726200	Panel rh	1	
15	1092725800	Panel	1	
20	1092706700	Option - light side	2	
25	0211117303	Screw	4	
30	1092706800	Option - light side	2	
35	0211117303	Screw	4	
40	1092706900	Option - tail light	2	
45	1092707100	Option - license light	1	
50	0211117303	Screw	2	
55	1092707280	Option - license plate	1	
A5	1092707200	Option - license plate	1	
A10	1092707300	Option - fix plate	2	
A15	0160603900	Screw	2	
A20	0301231500	Plain washer	2	
60	0211117303	Screw	2	
65	0301231500	Plain washer	2	
70	1092712000	Tail light wire harness	1	

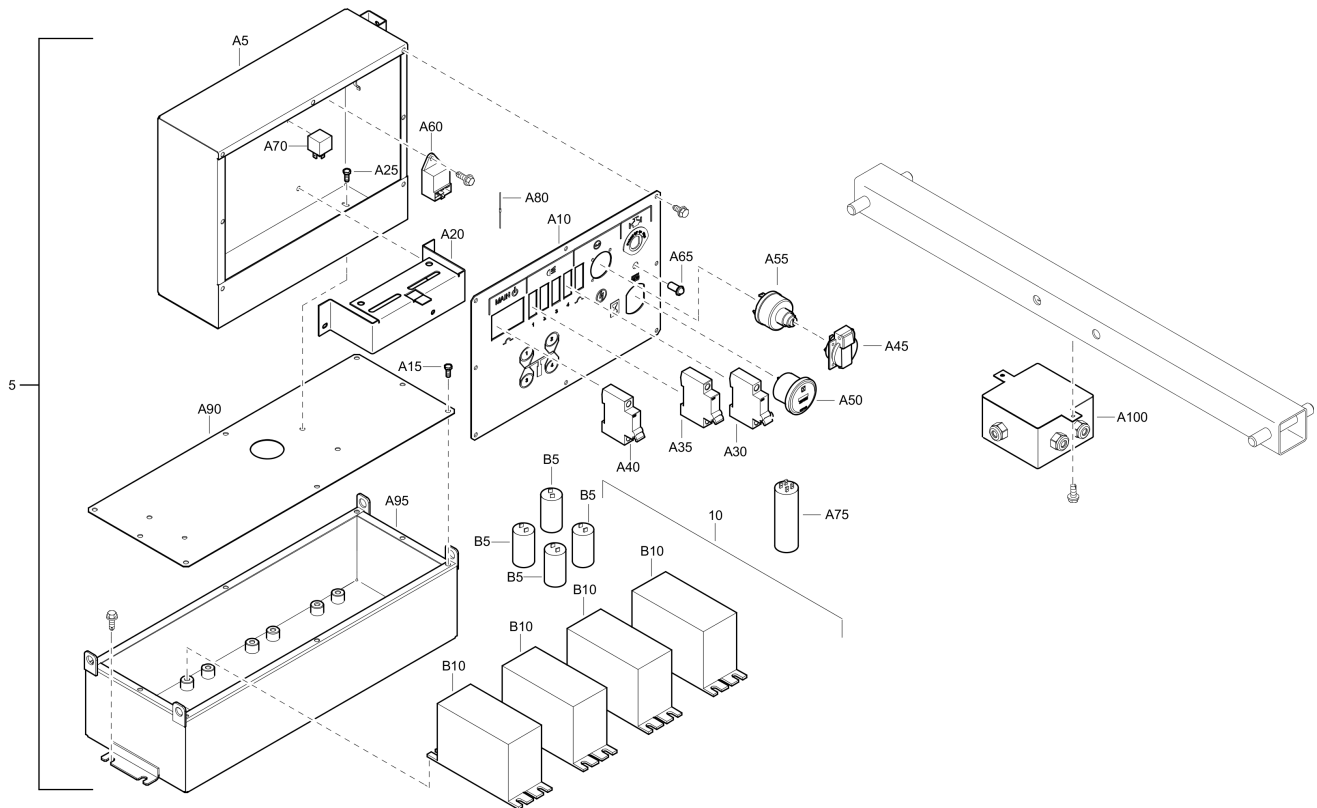
Electric system 1092727080_00 Cubicle - 50 Hz



Refer to the Parts Online web page for most up-to-date information. The printed information might be outdated.

Позиция	№ детали	Название	К-во	L
5	1092727000	Cubicle	1	
A5	1092626100	Cubicle body	1	
A10	1092727700	Door cubicle	1	
A15	0147124403	Screw	8	
A20	1092626500	Bracket capacitor	1	
A25	0147124403	Screw	2	
A30	1089960456	Circuit breaker	4	
A35	1089960482	Circuit breaker	1	
A50	1092684300	Hour meter	1	
A55	1092684400	Key switch	1	
A60	1092684500	Time relay	1	
A65	1092684600	Buble	1	
A70	1092684700	Medium relay	1	
A75	1092805700	Capacitor generator	1	
A80	1092684900	Diode	1	
A90	1092626000	Cover box ballast	1	
A95	1092625900	Box ballast	1	
A100	1092641200	Junction box	1	
10	1092635200	Capacitor and ballast	4	
B5	1092635400	Capacitor lamp	4	
B10	1092637300	Ballast	4	

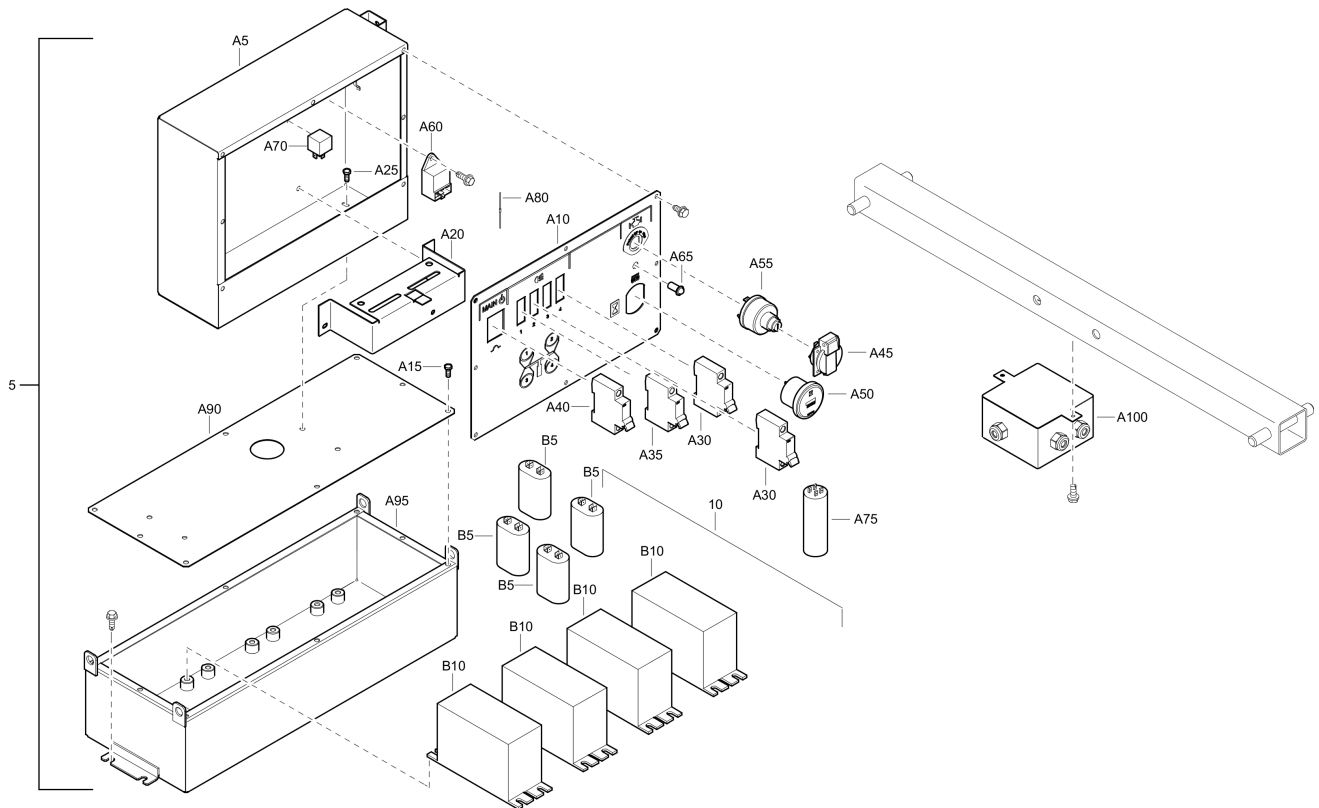
Electric system 1092719580_00 Cubicle - 50 Hz



Refer to the Parts Online web page for most up-to-date information. The printed information might be outdated.

Позиция	№ детали	Название	К-во	L
5	1092719500	Cubicle	1	
A5	1092626100	Cubicle body	1	
A10	1092719700	Door cubicle	1	
A15	0147124403	Screw	8	
A20	1092626500	Bracket capacitor	1	
A25	0147124403	Screw	2	
A30	1089960456	Circuit breaker	4	
A35	1089960482	Circuit breaker	1	
A40	1089960462	Circuit breaker	1	
A45	1092684200	Socket	1	
A50	1092684300	Hour meter	1	
A55	1092684400	Key switch	1	
A60	1092684500	Time relay	1	
A65	1092684600	Buble	1	
A70	1092684700	Medium relay	1	
A75	1092805700	Capacitor generator	1	
A80	1092684900	Diode	1	
A90	1092626000	Cover box ballast	1	
A95	1092625900	Box ballast	1	
A100	1092641200	Junction box	1	
10	1092635200	Capacitor and ballast	4	
B5	1092635400	Capacitor lamp	4	
B10	1092637300	Ballast	4	

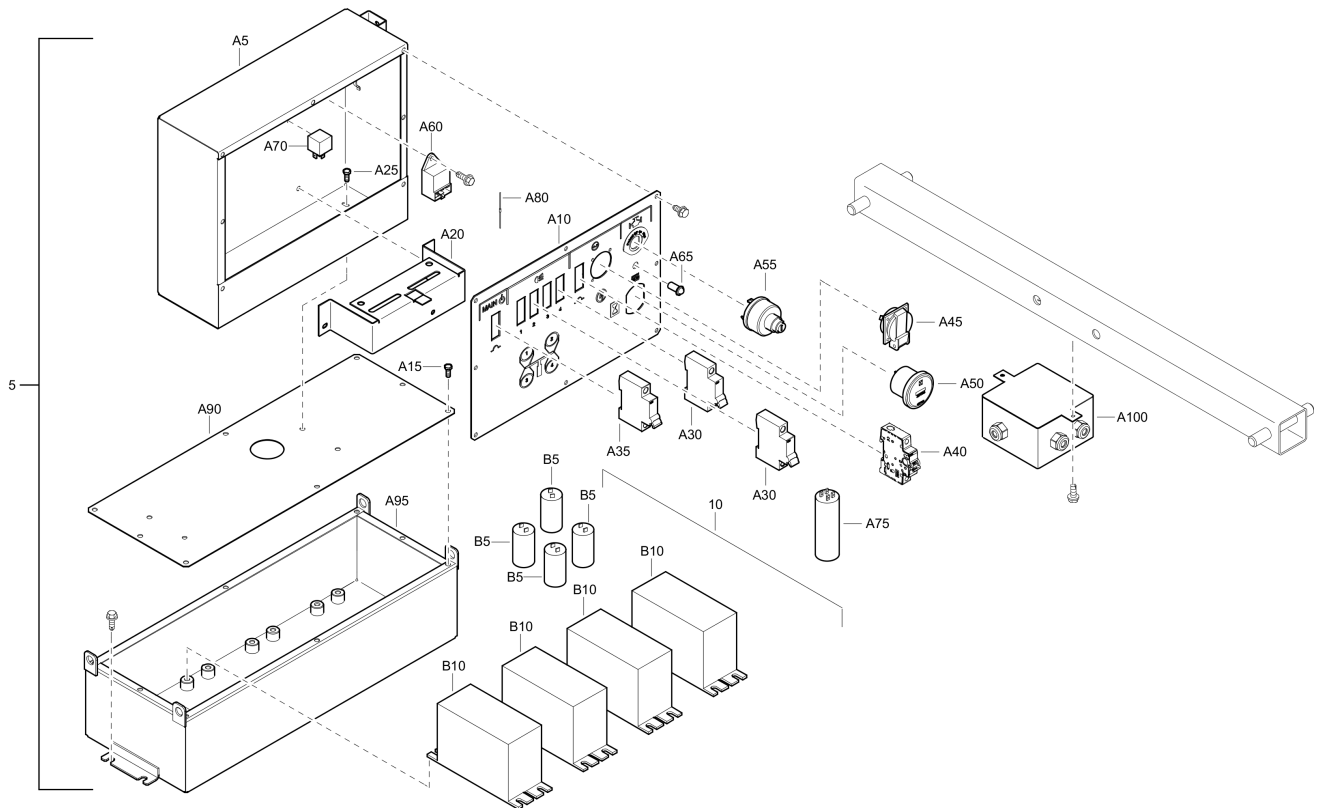
Electric system 1092727980_00 Cubicle - 60 Hz



Refer to the Parts Online web page for most up-to-date information. The printed information might be outdated.

Позиция	№ детали	Название	К-во	L
5	1092727900	Cubicle	1	
A5	1092626100	Cubicle body	1	
A10	1092728000	Door cubicle	1	
A15	0147124403	Screw	8	
A20	1092626500	Bracket capacitor	1	
A25	0147124403	Screw	2	
A30	1089960456	Circuit breaker	4	
A35	1089960463	Circuit breaker	1	
A40	1089960457	Circuit breaker	1	
A45	1092733900	Duplex socket light tower	1	
A50	1092684300	Hour meter	1	
A55	1092684400	Key switch	1	
A60	1092684500	Time relay	1	
A65	1092684600	Buble	1	
A70	1092684700	Medium relay	1	
A75	1092684800	Capacitor generator	1	
A80	1092684900	Diode	1	
A90	1092626000	Cover box ballast	1	
A95	1092625900	Box ballast	1	
A100	1092641200	Junction box	1	
10	1092635300	Capacitor and ballast	4	
B5	1092717400	Capacitor lamp	4	
B10	1092638300	Ballast	4	

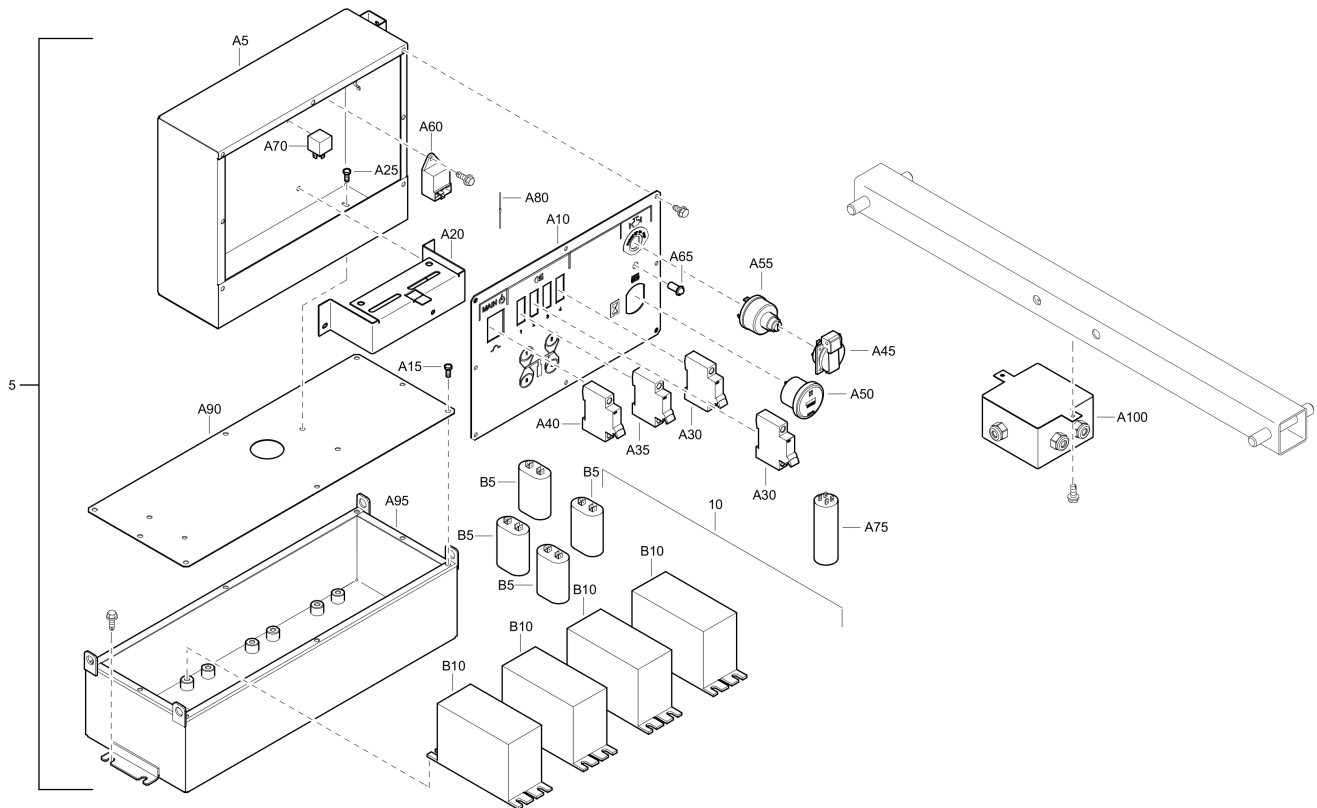
Electric system 1092626480_00 Cubicle - 50 Hz



Refer to the Parts Online web page for most up-to-date information. The printed information might be outdated.

Позиция	№ детали	Название	К-во	L
5	1092626400	Cubicle	1	
A5	1092626100	Cubicle body	1	
A10	1092715400	Door cubicle	1	
A15	0147124403	Screw	8	
A20	1092626500	Bracket capacitor	1	
A25	0147124403	Screw	2	
A30	1089960456	Circuit breaker	4	
A35	1089960458	Circuit breaker	1	
A40	1089960462	Circuit breaker	1	
A45	1092684200	Socket	1	
A50	1092684300	Hour meter	1	
A55	1092684400	Key switch	1	
A60	1092684500	Time relay	1	
A65	1092684600	Buble	1	
A70	1092684700	Medium relay	1	
A75	1092805700	Capacitor generator	1	
A80	1092684900	Diode	1	
A90	1092626000	Cover box ballast	1	
A95	1092625900	Box ballast	1	
A100	1092641200	Junction box	1	
10	1092635200	Capacitor and ballast	4	
B5	1092635400	Capacitor lamp	4	
B10	1092637300	Ballast	4	

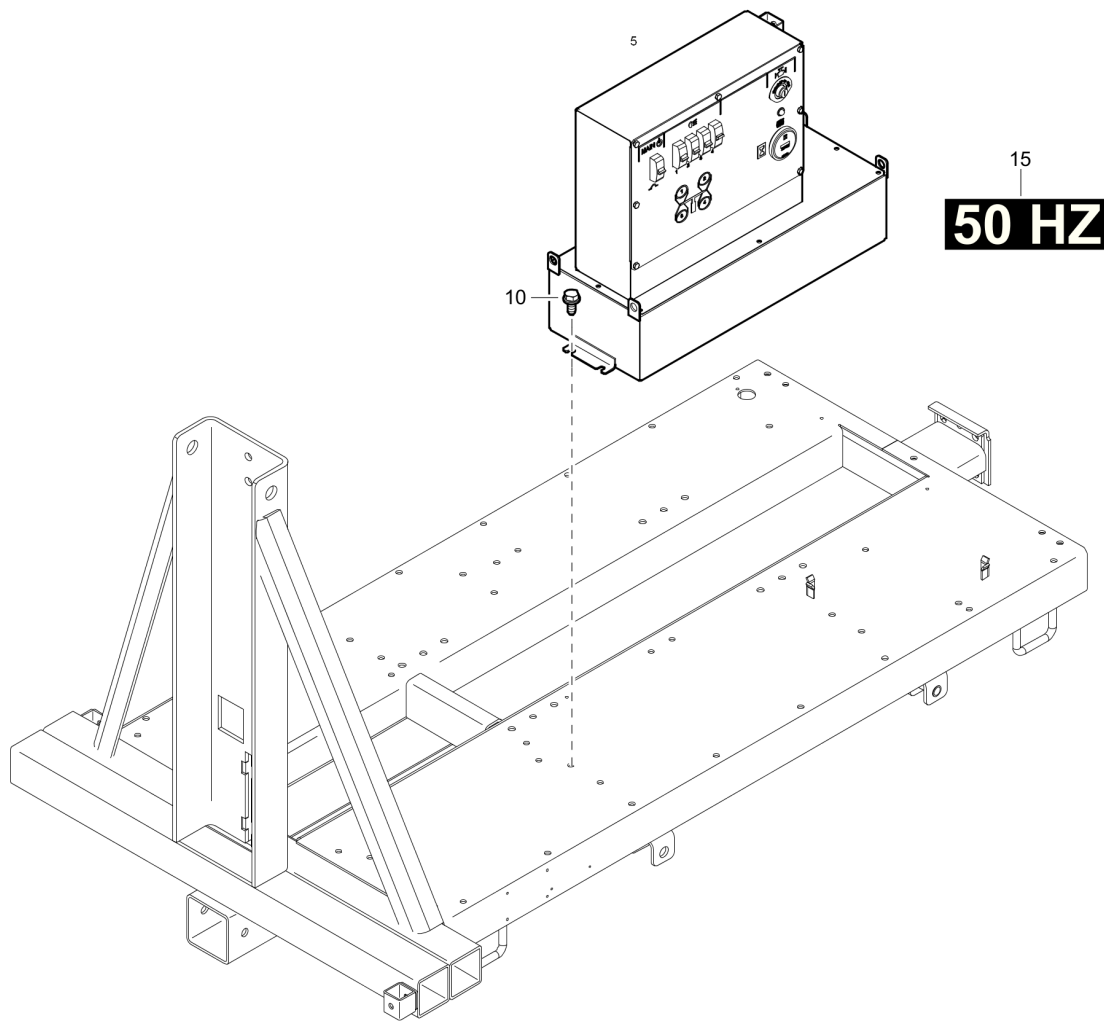
Electric system 1092632880_00 Cubicle - 60 Hz



Refer to the Parts Online web page for most up-to-date information. The printed information might be outdated.

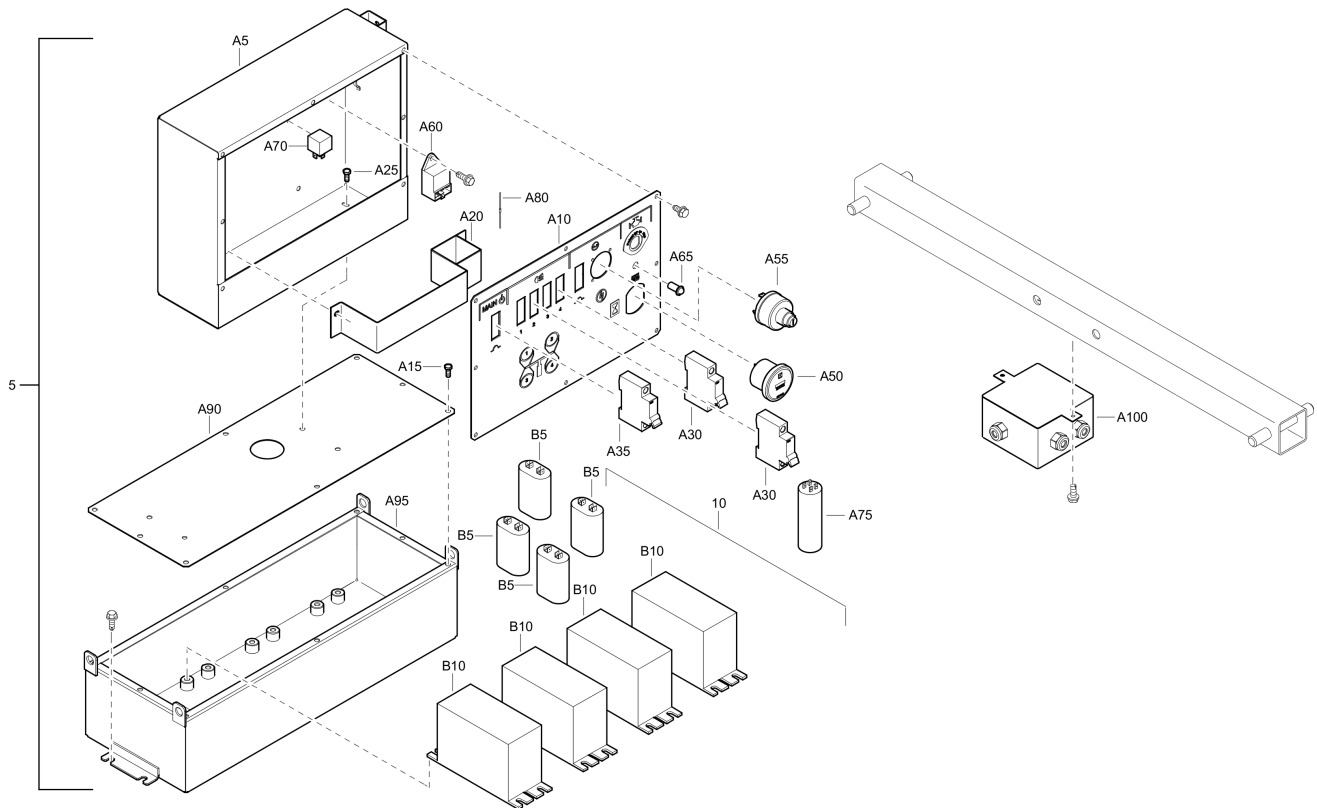
Позиция	№ детали	Название	К-во	L
5	1092632800	Cubicle	1	
A5	1092626100	Cubicle body	1	
A10	1092626300	Cubicle door	1	
A15	0147124403	Screw	8	
A20	1092626500	Bracket capacitor	1	
A25	0147124403	Screw	2	
A30	1089960456	Circuit breaker	4	
A35	1089960463	Circuit breaker	1	
A40	1089960462	Circuit breaker	1	
A45	1092684200	Socket	1	
A50	1092684300	Hour meter	1	
A55	1092684400	Key switch	1	
A60	1092684500	Time relay	1	
A65	1092684600	Buble	1	
A70	1092684700	Medium relay	1	
A75	1092684800	Capacitor generator	1	
A80	1092684900	Diode	1	
A90	1092626000	Cover box ballast	1	
A95	1092625900	Box ballast	1	
A100	1092641200	Junction box	1	
10	1092635300	Capacitor and ballast	4	
B5	1092717400	Capacitor lamp	4	
B10	1092638300	Ballast	4	

Electric system 1625090059_00 Cubicle - 50 Hz light tower



Позиция	№ детали	Название	К-во	L
5	1092726880	Cubicle	1	
10	1619276600	Paint stripping	4	
15	1092680300	Decal	1	

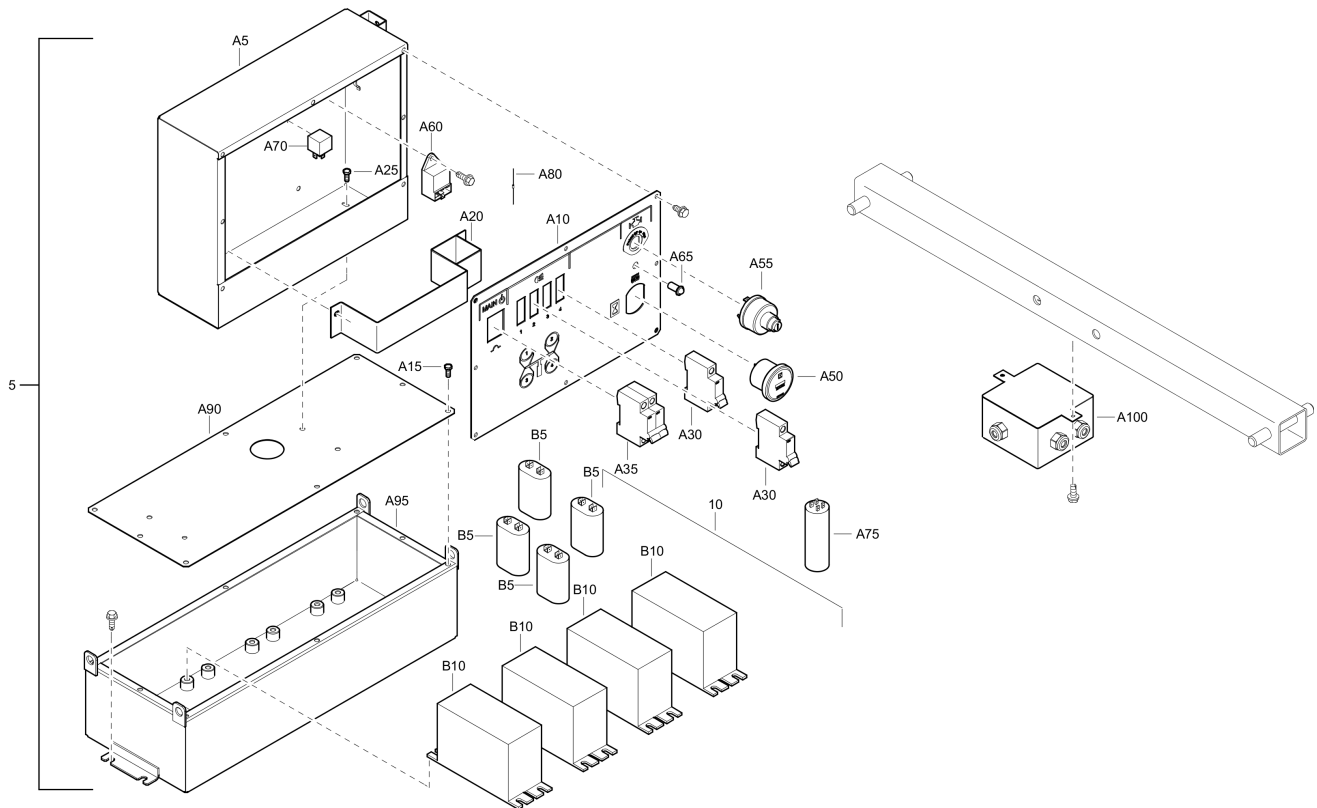
Electric system 1092726880_00 Cubicle - 50 Hz light tower



Refer to the Parts Online web page for most up-to-date information. The printed information might be outdated.

Позиция	№ детали	Название	К-во	L
5	1092726800	Cubicle 50hz without socket	1	
A5	1092626100	Cubicle body	1	
A10	1092726900	Door cubicle 50hz no socket	1	
A15	0147124403	Screw	8	
A20	1092626500	Bracket capacitor	1	
A25	0147124403	Screw	2	
A30	1089960456	Circuit breaker	4	
A35	1089960458	Circuit breaker	1	
A50	1092684300	Hour meter	1	
A55	1092684400	Key switch	1	
A60	1092684500	Time relay	1	
A65	1092684600	Buble	1	
A70	1092684700	Medium relay	1	
A75	1092805700	Capacitor generator	1	
A80	1092684900	Diode	1	
A90	1092626000	Cover box ballast	1	
A95	1092625900	Box ballast	1	
A100	1092641200	Junction box	1	
10	1092635200	Capacitor and ballast	4	
B5	1092635400	Capacitor lamp	4	
B10	1092637300	Ballast	4	

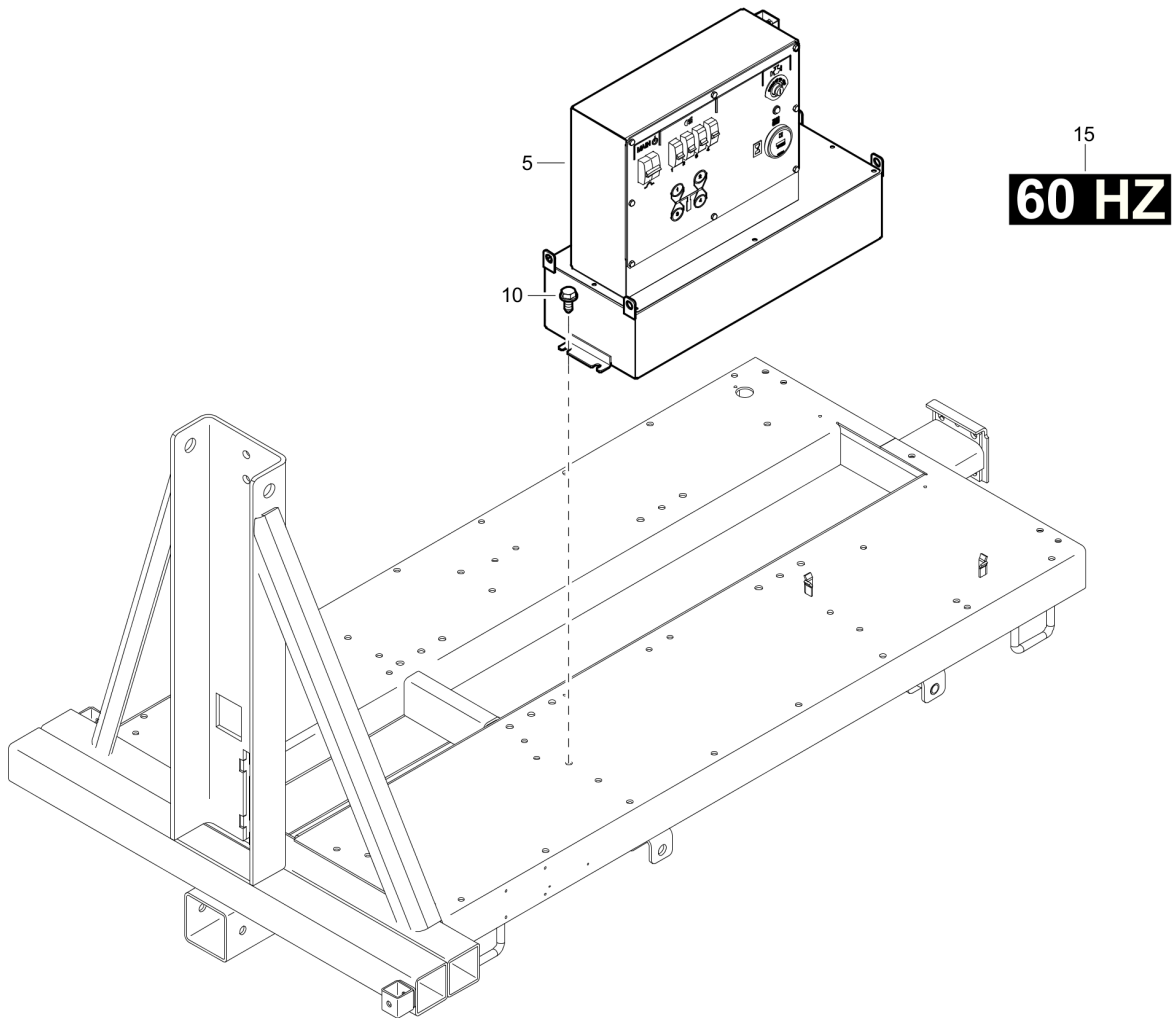
Electric system 1092715880_00 Cubicle - 60 Hz light tower



Refer to the Parts Online web page for most up-to-date information. The printed information might be outdated.

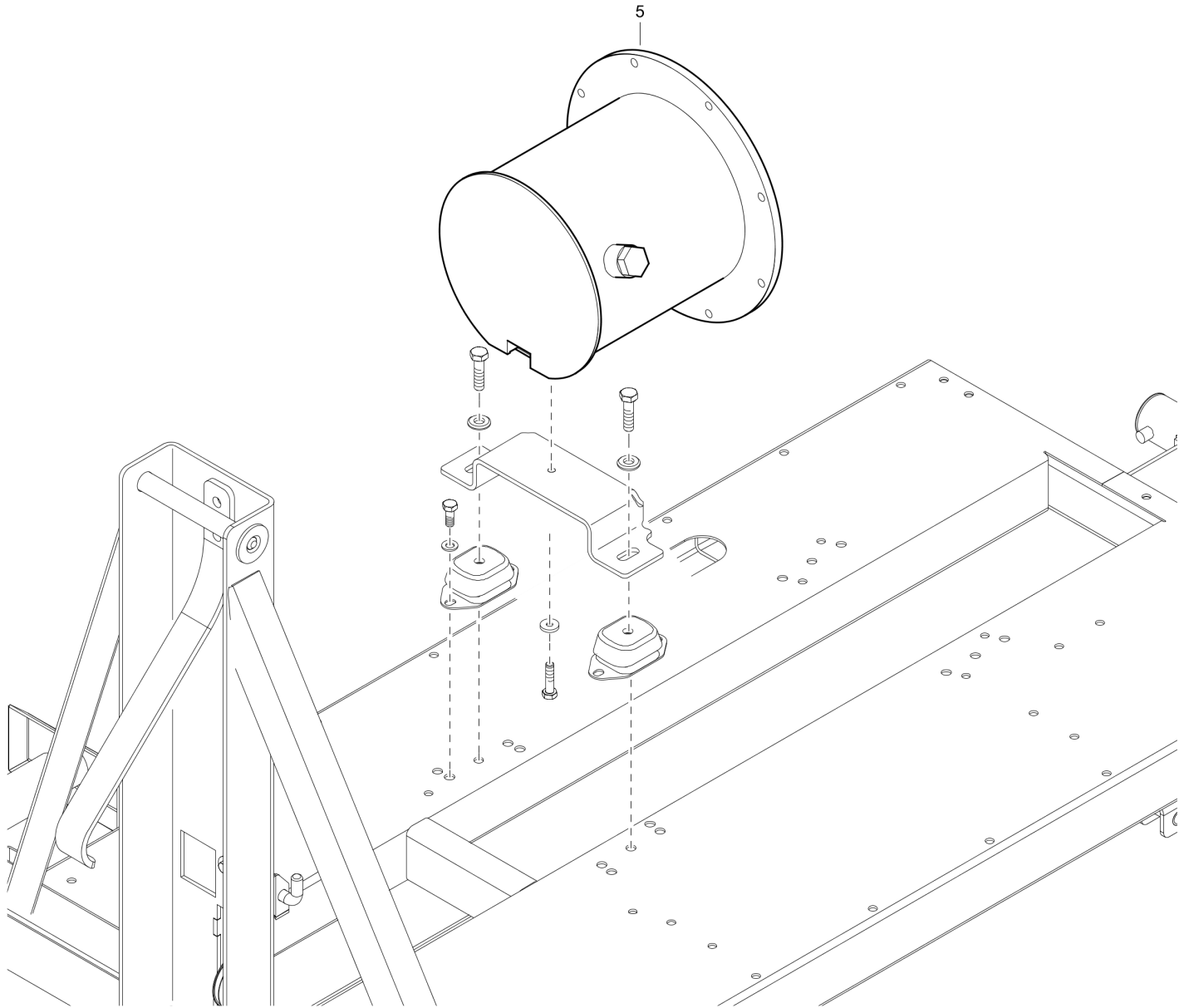
Позиция	№ детали	Название	К-во	L
A5	1092626100	Cubicle body	1	
5	1092715800	Cubicle	1	
A10	1092713700	Door cubicle	1	
A15	0147124403	Screw	8	
A20	1092626500	Bracket capacitor	1	
A25	0147124403	Screw	2	
A30	1089960456	Circuit breaker	4	
A35	1089960463	Circuit breaker	1	
A50	1092684300	Hour meter	1	
A55	1092684400	Key switch	1	
A60	1092684500	Time relay	1	
A65	1092684600	Buble	1	
A70	1092684700	Medium relay	1	
A75	1092684800	Capacitor generator	1	
A80	1092684900	Diode	1	
A90	1092626000	Cover box ballast	1	
A95	1092625900	Box ballast	1	
A100	1092641200	Junction box	1	
10	1092635300	Capacitor and ballast	4	
B5	1092717400	Capacitor lamp	4	
B10	1092638300	Ballast	4	

Electric system 1625090033_00 Cubicle - 60hz light tower



Позиция	№ детали	Название	К-во	L
5	1092715880	Cubicle	1	
10	1619276600	Paint stripping	4	
15	1092680200	Decal	1	

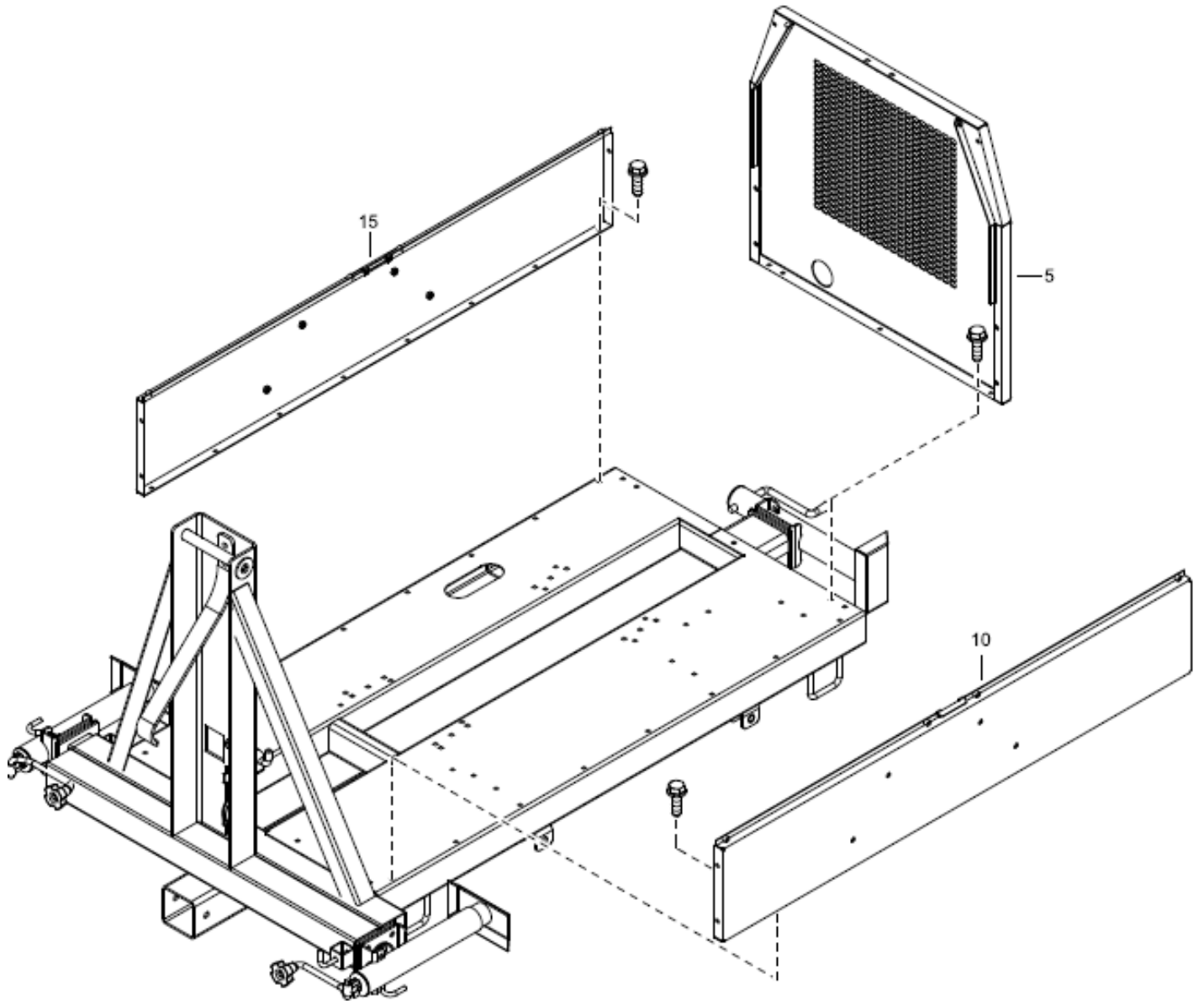
Electric system 1625090029_00 Alternator - 60 Hz light tower



Refer to the Parts Online web page for most up-to-date information. The printed information might be outdated.

Позиция	№ детали	Название	К-во	L
5	1092619700	Alternator	1	

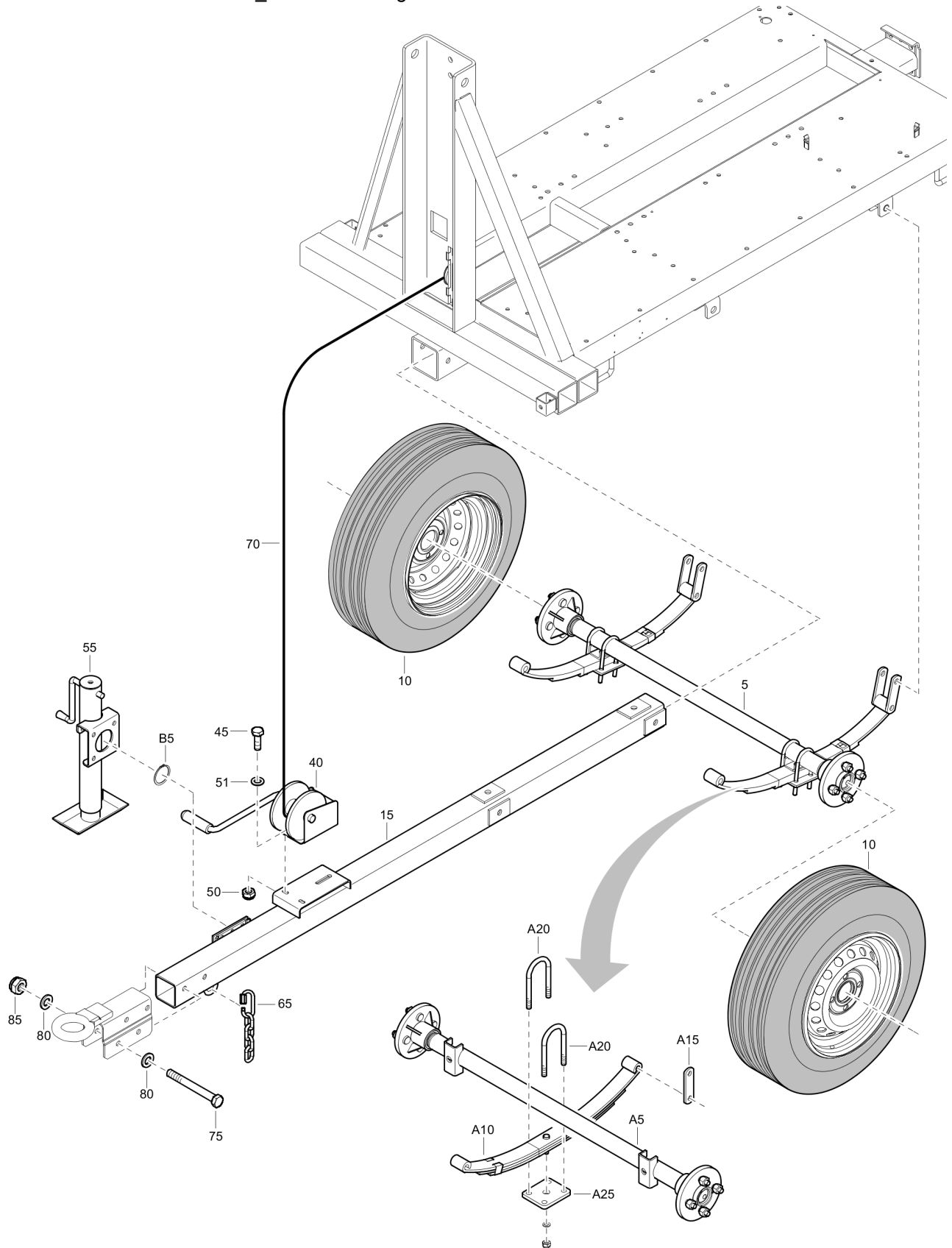
Electric system 1625090089_00 Tail light system



Refer to the Parts Online web page for most up-to-date information. The printed information might be outdated.

Позиция	№ детали	Название	К-во	L
5	1092 7247 00	Panel	1	
10	1092 7250 00	Panel	1	
15	1092 7251 00	Panel	1	

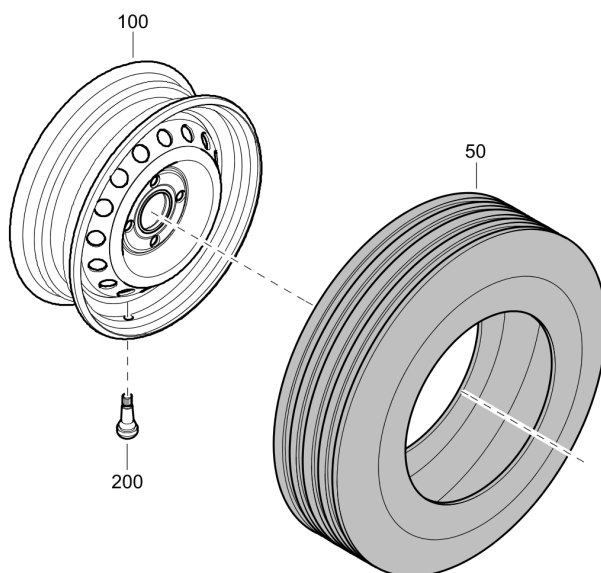
Option / accessories 1625054214_05 Undercarriage



Refer to the Parts Online web page for most up-to-date information. The printed information might be outdated.

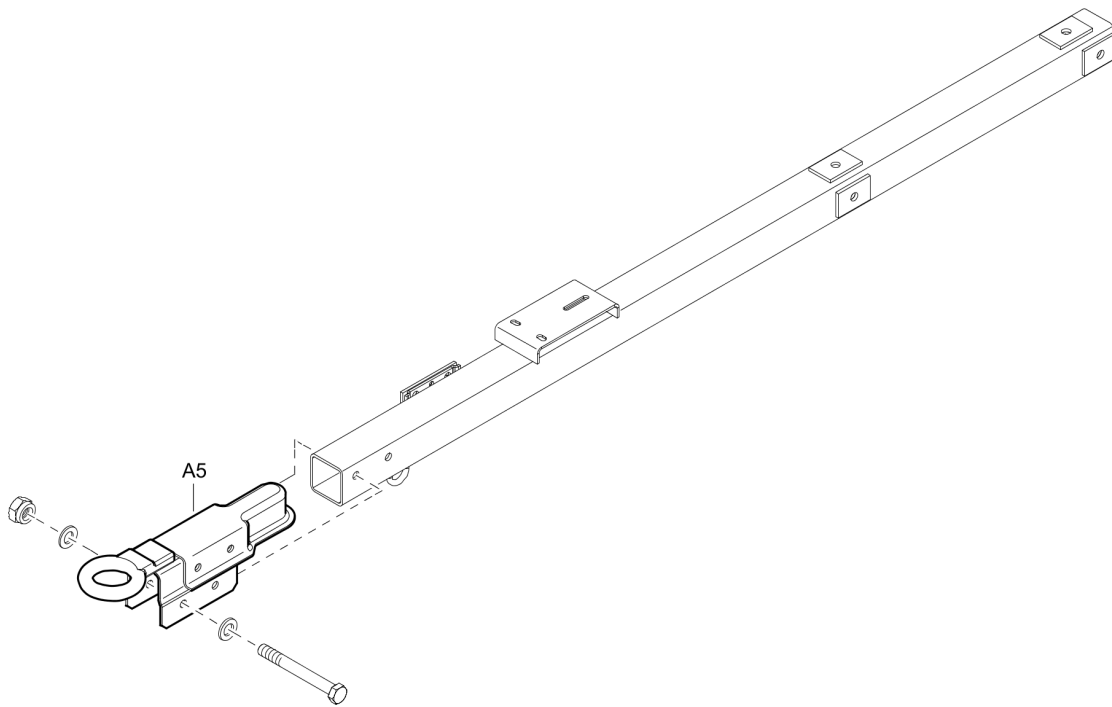
Позиция	№ детали	Название	К-во	L
5	1092619500	Axle light tower	1	
A5	1092635500	Axle	1	
A10	1092636080	Spring leaf	2	
A15	1092635900	Plate	4	
A20	1092635700	U-bolt	4	
A25	1092635800	Plate	2	
10	1094124590	Tyre assembly	2	
15	1092627300	Draw bar	1	
40	1092830800	Wrench	1	
45	0147136203	Screw	3	
50	0291111100	Locknut	3	
51	0301234400	Washer-flat	3	
55	1092642100	Lifting jack side wind drawbar	1	
B5	1092817300	Snap ring light tower	1	
65	1604157480	Chain	1	
70	1092638900	Steel rope 3m	1	
75	0147110787	Hexagon screw	2	
80	0301237100	Washer DIN125	4	
85	0291111300	Nut DIN985	2	

Option / accessories 1094124590_01 Tyre assembly



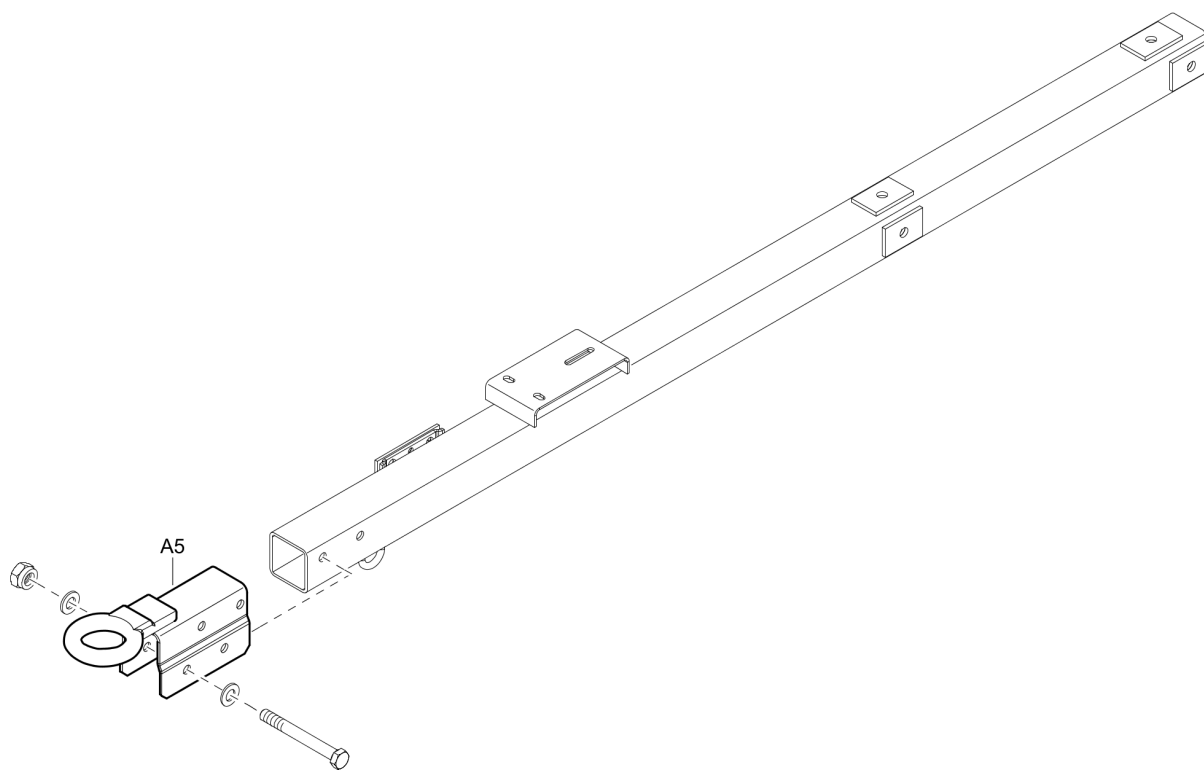
Позиция	№ детали	Название	К-во	L
50	1094124510	Tyre	1	
100	1604033300	Disc wheel	1	
200	1092050409	Ventil	1	

Option / accessories 1625090035_00 Combo eye



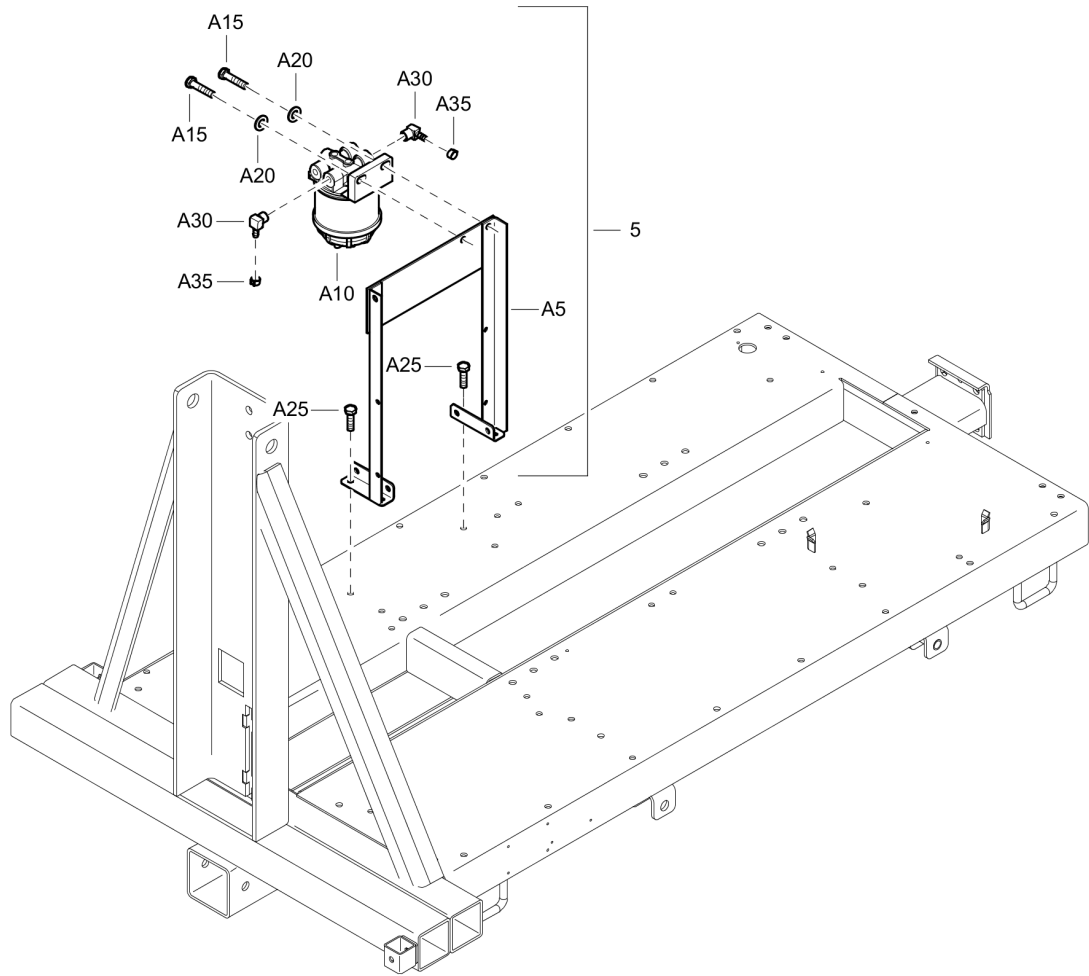
Позиция	№ детали	Название	К-во	L
-	1625090036	Combo eye	1	
A5	1092715900	Combo towing eye	1	

Option / accessories 1625090048_00 Ring towing eye



Позиция	№ детали	Название	К-во	L
A5	1092688300	Ring towing eye	1	

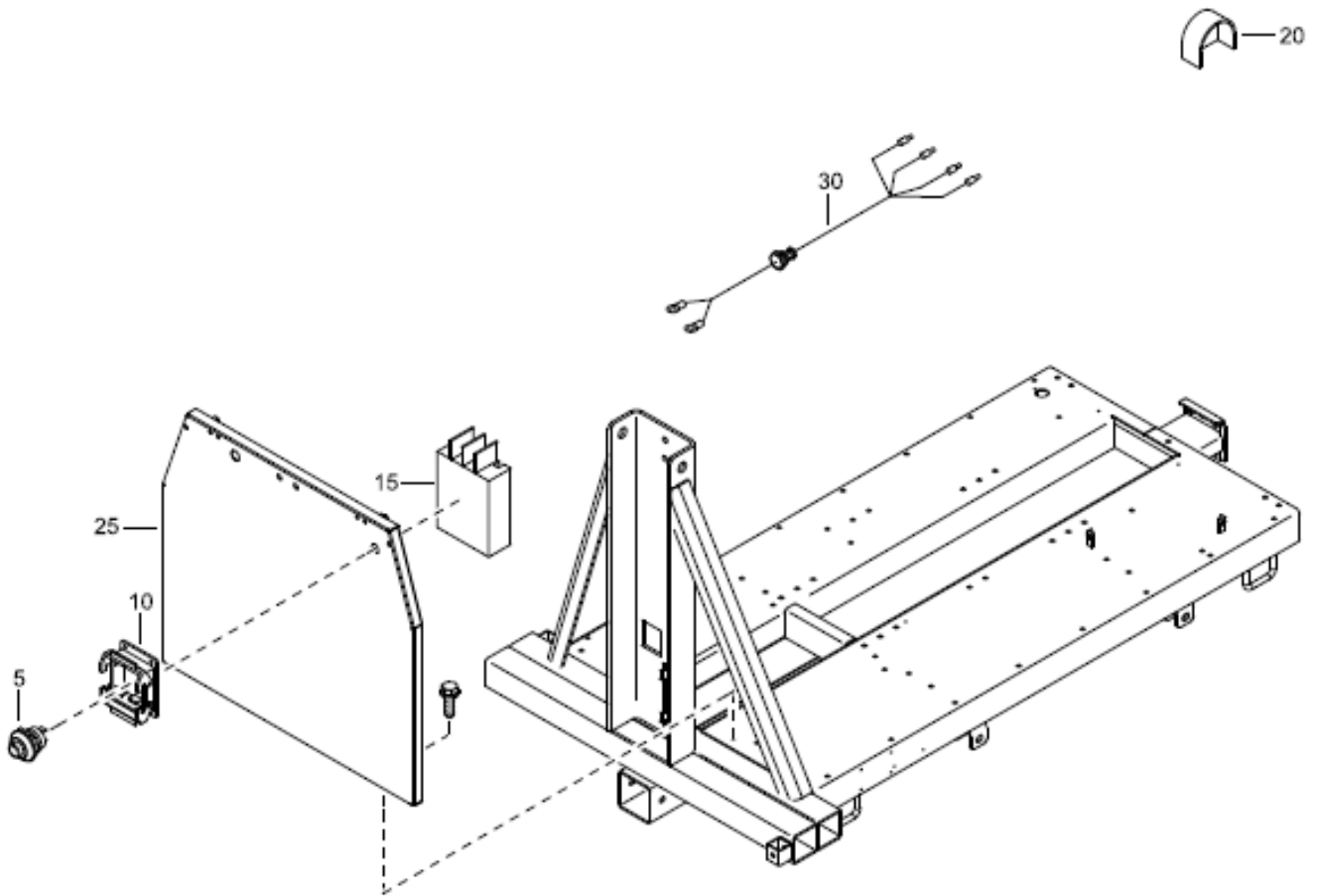
Option / accessories 1625090056_00 Extra f/w seperator



Refer to the Parts Online web page for most up-to-date information. The printed information might be outdated.

Позиция	№ детали	Название	К-во	L
5	1625090054	Option - extra f/w seperator	1	
A5	1092720200	Extra filter plate	1	
A10	1626231300	Filter fuel	1	
A15	0147132703	Hex. head screw m8 x 35	2	
A20	0301233500	Washer	2	
A25	0147196272	Parafuso din931	4	
A30	1615893300	Hose nipple	2	
A35	1604413700	Hose clip	2	

Option / accessories 1625090098_00 E-stop



Refer to the Parts Online web page for most up-to-date information. The printed information might be outdated.

Позиция	№ детали	Название	К-во	L
5	1089951334	Button push	1	
10	1089951328	Holder	1	
15	1089951330	Contactactor	2	
20	1089036228	Protective collar	1	
25	1092725700	Option-panel rear(e-stop) cp	1	
30	1092720300	Wireharness e-stop	1	