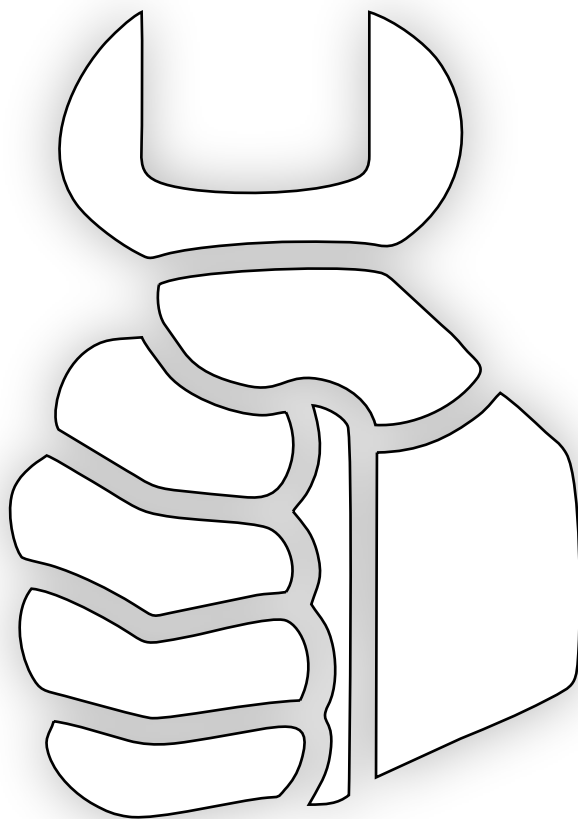


Parts online

Spare parts list



Service

3002607710_01 Service pak 200 hours	1
3002607720_01 Service pak 400 hours	3
3002607730_01 Service pak 800 hours	5
3002607870_00 Service pak 200 hours	7
3002607880_00 Service pak 400 hours	9
3002607890_00 Service pak 800 hours	11
Engine Oil	13
Coolant	15

Mechanical

1625091313_03 Frame	17
1094036081_00 Frame assembly	19
1625091731_00 Air inlet system	21
1625054274_01 Alternator and accessories	23
1625054245_00 Mast assembly	25
1625054297_02 Markings	27
1625091732_02 Markings	29
1625091736_03 Canopy	31
1625054264_01 Alternator	33
1625054265_01 Alternator	35
1625091235_00 Alternator ac v15 mh 50hz	37
1625091727_00 Alternator	39
1625091221_00 Alternator accessories	41
1625091234_02 Under carriage	43
1625091305_05 Canopy	45
1094011381_00 Mast assembly	47
1625054262_01 Mast system	50
1094037582_00 Roof assembly	53
1094022383_01 Inlet panel	55
1094184880_00 Inlet panel	57
1625091773_01 Canopy	59
1094022282_02 Panel	61
1092876601_01 Axle	63
1094015980_00 Ballast box	65
1094043100_00 Ballast box	67
1094081880_00 Ballast box	69
1094053280_01 Support	71
1094164280_00 Mast assembly	73

Engine

1092838800_01 Engine	76
1092858800_01 Engine	79
1625096600_01 Engine	81
1625054314_02 Engine	83
1625054348_02 Engine	85
1625054269_00 Engine	87
1625091730_00 Engine	89
1625054260_04 Engine accessory	91
1625091306_02 Cooling system	93
1625054259_03 Cooling system	95
1092851180_02 Cooler assembly	97
1092851582_01 Fan cowl	99
1625091754_09 Fuel system	101
1092852180_00 Fuel tank assembly	103
1625091222_03 Exhaust system	105

Electric system

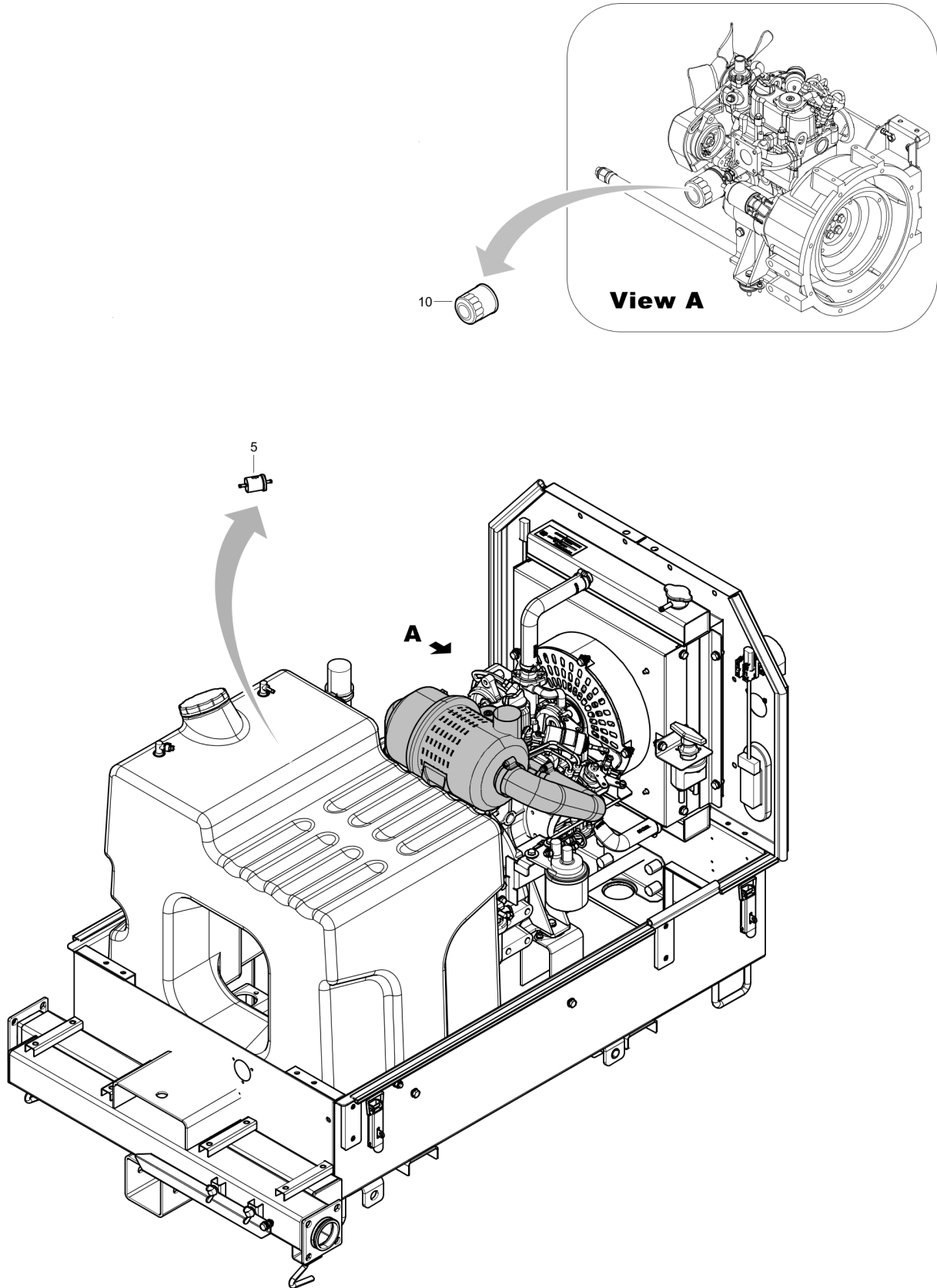
1625054263_05 Electrical system	107
---------------------------------	-----

1625054268_03 Electrical system	109
1625054266_03 Electrical system	111
1625054350_04 Electrical system	113
1625091770_04 Electrical system	115
1625091783_05 Electrical system	117
1625091794_04 Electrical system	119
1625091797_04 Electrical system	121
1625091798_03 Electrical system	123
1625054296_02 Cubicle	125
1625054258_01 Cubicle	127
1625054257_01 Cubicle	129
1625054261_02 Cubicle	131
1094132080_01 Cubicle	133
1092827280_01 Cubicle	136
1094131980_01 Cubicle	140
1625054270_00 Cubicle v15 mh 50hz no socket	144
1625091728_00 Cubicle V15 MH 60Hz no socket	148
1625091729_02 Cubicle accessories	152

Options / accessories

1625054303_00 No option Spark Arrestor	155
1625054304_00 No option tail light V15	157
1625091764_00 No option - Data plate	159
1625054302_01 No option bottle	161
Cubicle 50Hz MH	163
Cubicle 60Hz MH	165
Cubicle 50Hz LED	167
Cubicle 60Hz LED	169
1625091436_00 Tail light	171
Towing	173

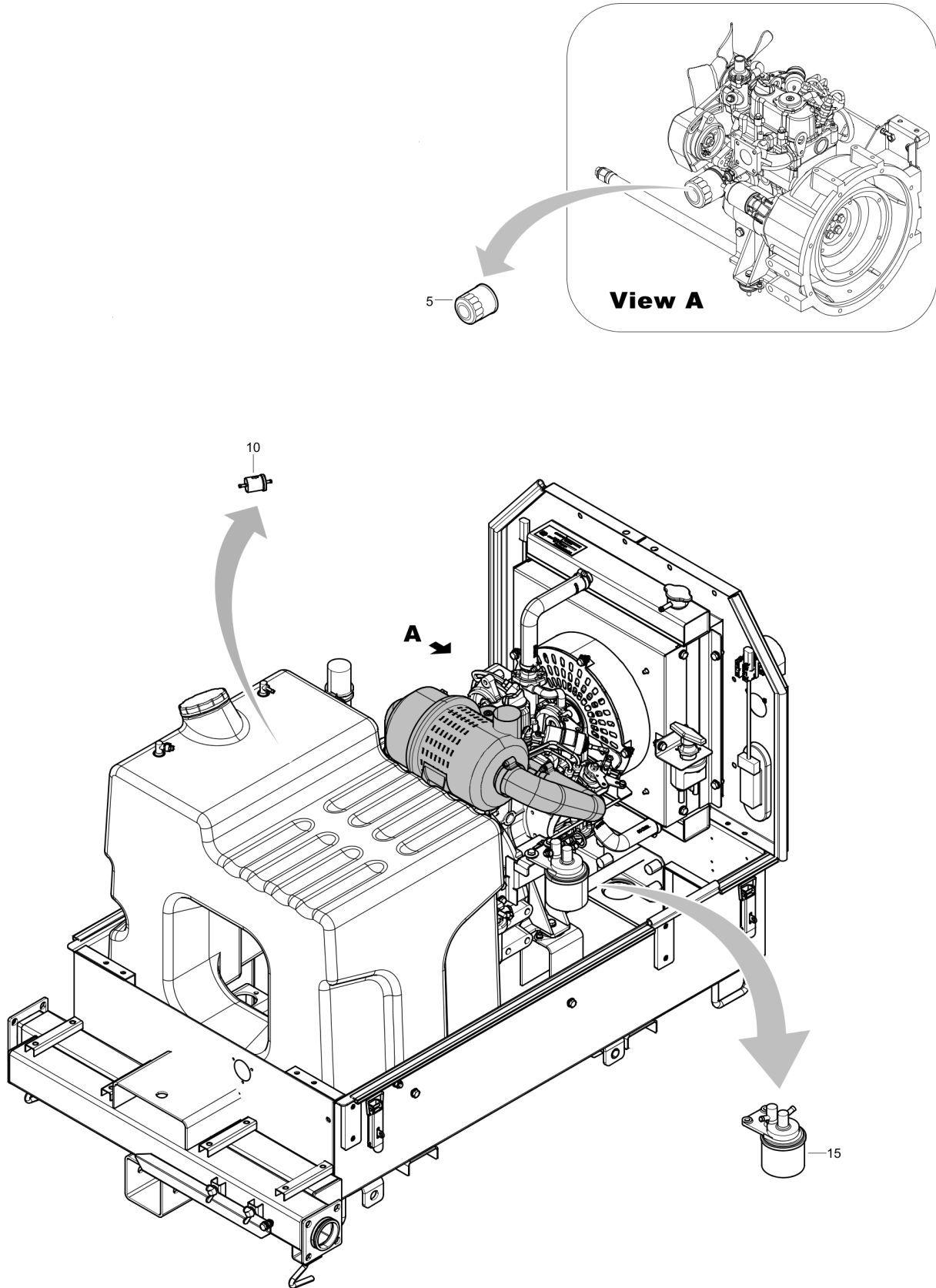
Service 3002607710_01 Service pak 200 hours



Refer to the Parts Online web page for most up-to-date information. The printed information might be outdated.

Item	Part No.	Name	Qty	L
-	3002607710	Service pak 200 hours	-	
5	-	Pre fuel filter	1	
10	-	Oil filter	1	

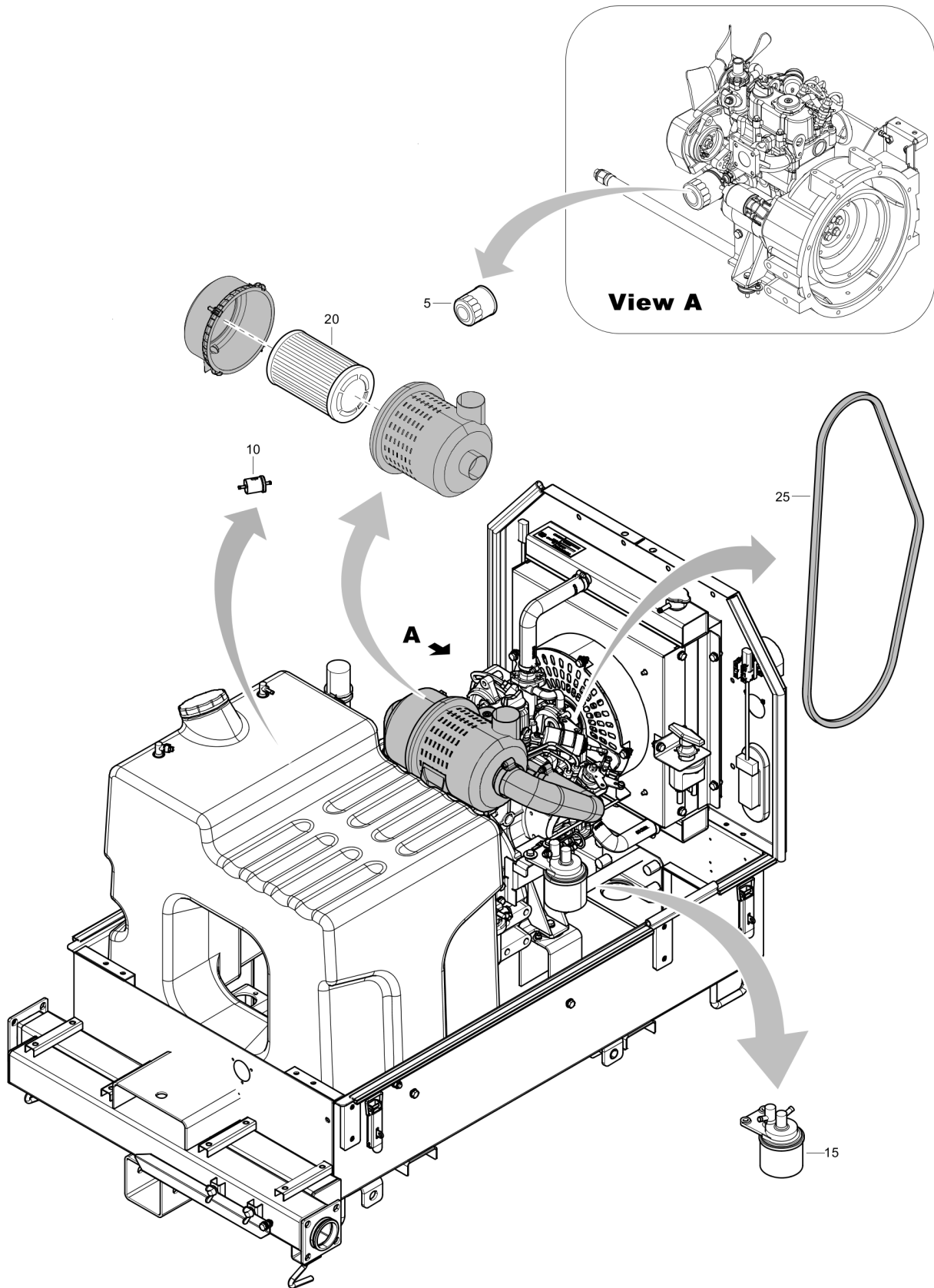
Service 3002607720_01 Service pak 400 hours



Refer to the Parts Online web page for most up-to-date information. The printed information might be outdated.

Item	Part No.	Name	Qty	L
-	3002607720	Service pak 400 hours	-	
5	-	Oil filter	1	
10	-	Pre fuel filter	1	
15	-	Filter fuel	1	

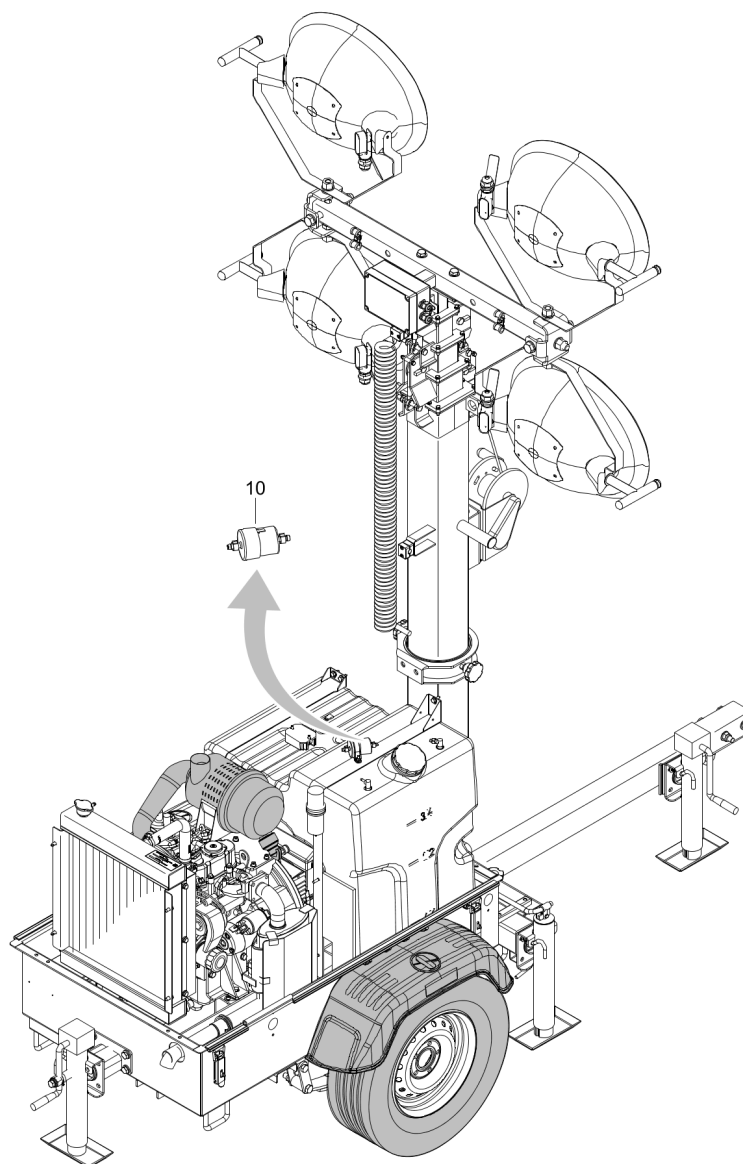
Service 3002607730_01 Service pak 800 hours



Refer to the Parts Online web page for most up-to-date information. The printed information might be outdated.

Item	Part No.	Name	Qty	L
-	3002607730	Service pak 800 hours	-	
5	-	Oil filter	1	
10	-	Pre fuel filter	1	
15	-	Filter fuel	1	
20	-	Filter element	1	
25	-	V belt	1	

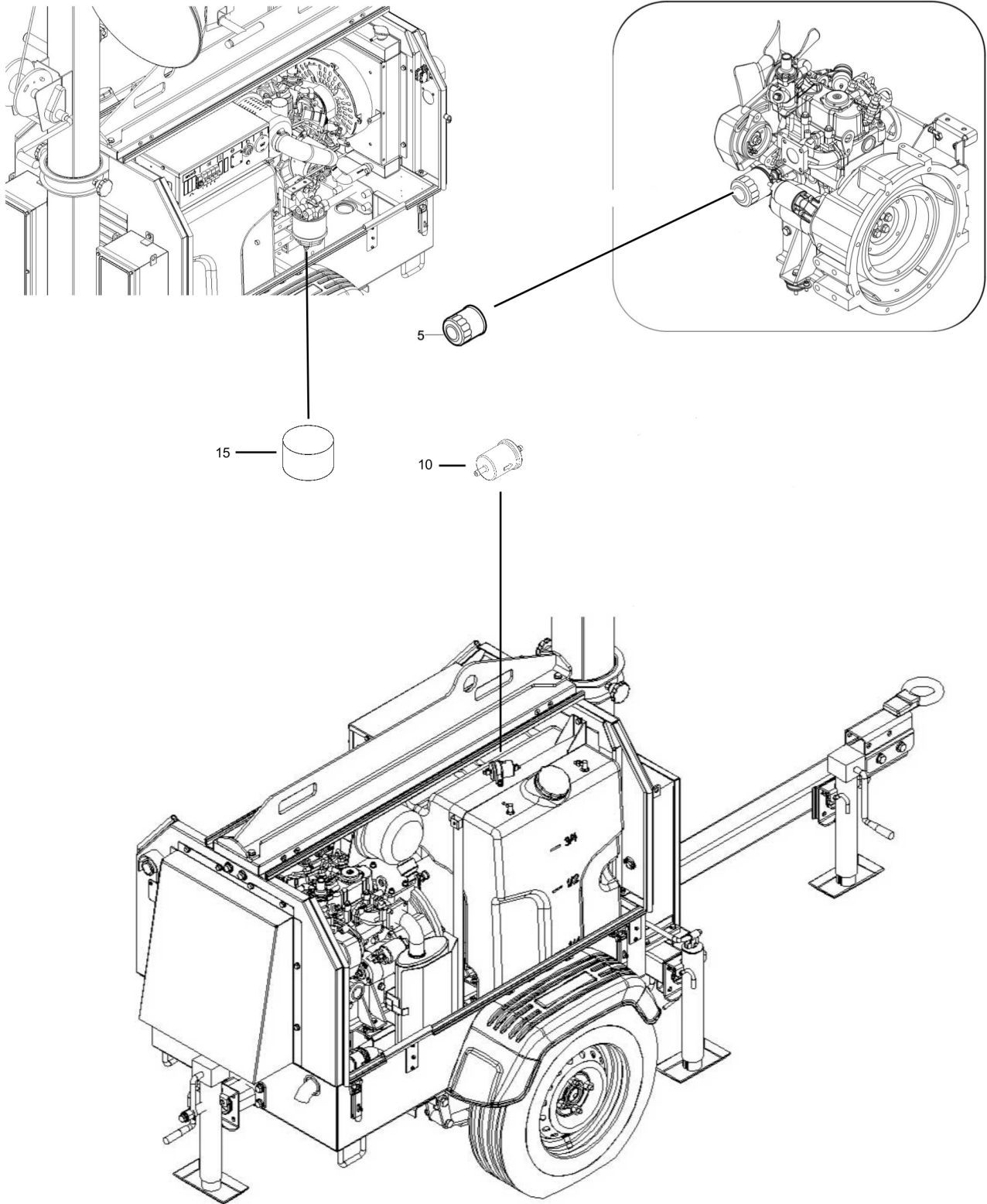
Service 3002607870_00 Service pak 200 hours



Refer to the Parts Online web page for most up-to-date information. The printed information might be outdated.

Item	Part No.	Name	Qty	L
-	3002607870	Service pak 200 hours	-	
10	-	Pre fuel filter	1	

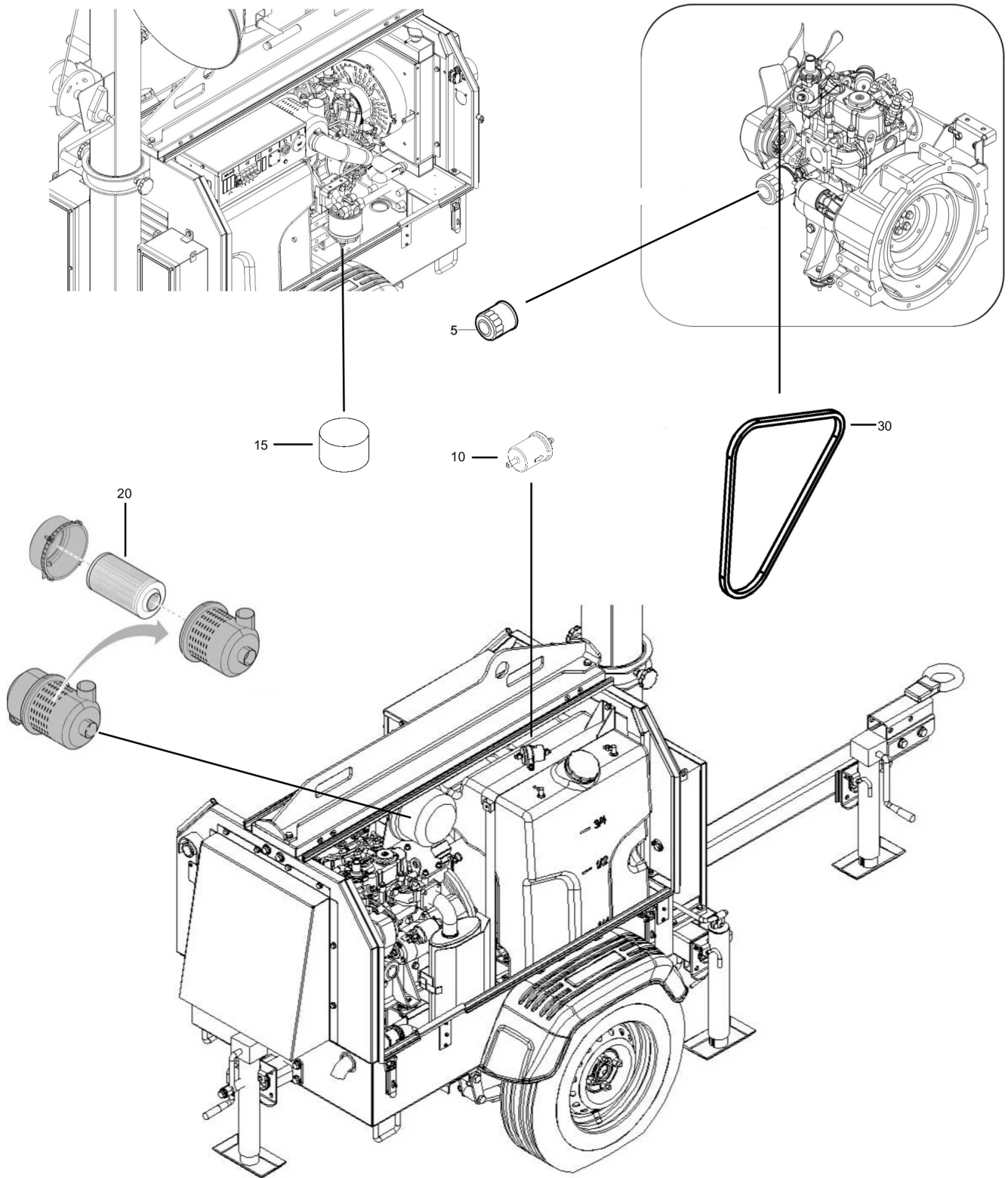
Service 3002607880_00 Service pak 400 hours



Refer to the Parts Online web page for most up-to-date information. The printed information might be outdated.

Item	Part No.	Name	Qty	L
-	3002607880	Service pak 400 hours	-	
5	-	Oil filter element	1	
10	-	Pre fuel filter	1	
15	-	Fuel filter	1	

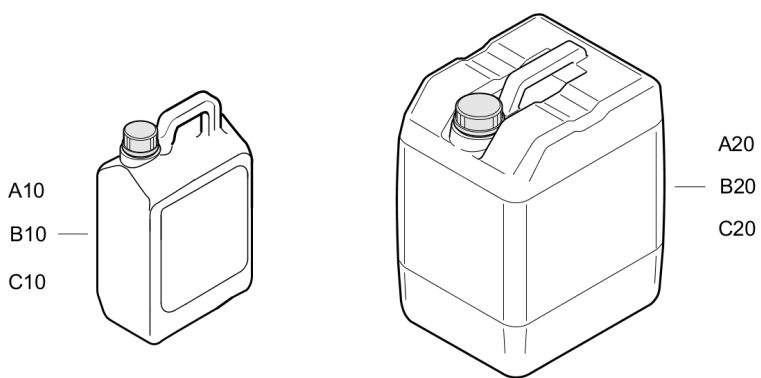
Service 3002607890_00 Service pak 800 hours



Refer to the Parts Online web page for most up-to-date information. The printed information might be outdated.

Item	Part No.	Name	Qty	L
-	3002607890	Service pak 800 hours	-	
5	-	Oil filter element	1	
10	-	Pre fuel filter	1	
15	-	Fuel filter	1	
20	-	Filter element	1	
30	-	Engine fan belt	1	

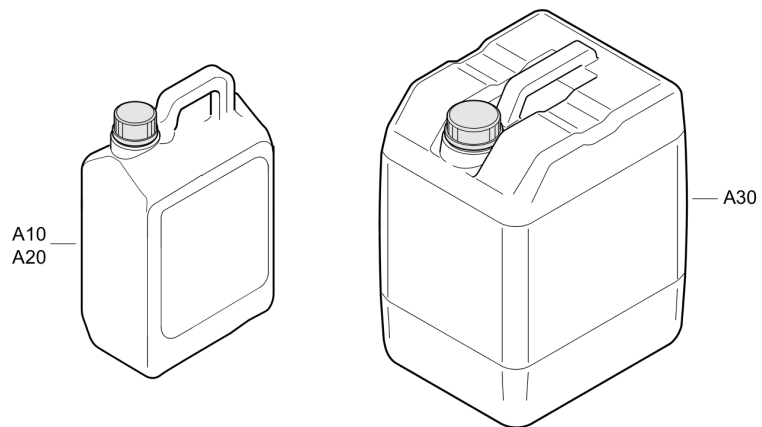
Service Engine Oil



Item	Part No.	Name	Qty	L
Not Shown	-	Genoil Performance	AR	
A10	1626226200	Can Paroil 15W40 5 Liter/1.32 Gallon	1	
A20	1626226300	Can Paroil 15W40 20 Liter/5.3 Gallon	1	
Not Shown	-	Paroil Engine Plus	AR	
B10	1626225801	Can Paroil 5W40 5 Liter/1.32 Gallon	1	
B20	1626225901	Can Paroil 5W40 20 Liter/5.3 Gallon	1	
Not Shown	-	Genoil Engine Green	AR	
C10	1638074000	Can Paroil Engine Green 5 Liter/1.32 Gallon	1	
C20	1638075000	Can Paroil Engine Green 20 Liter/5.3 Gallon	1	

Refer to the Parts Online web page for most up-to-date information. The printed information might be outdated.

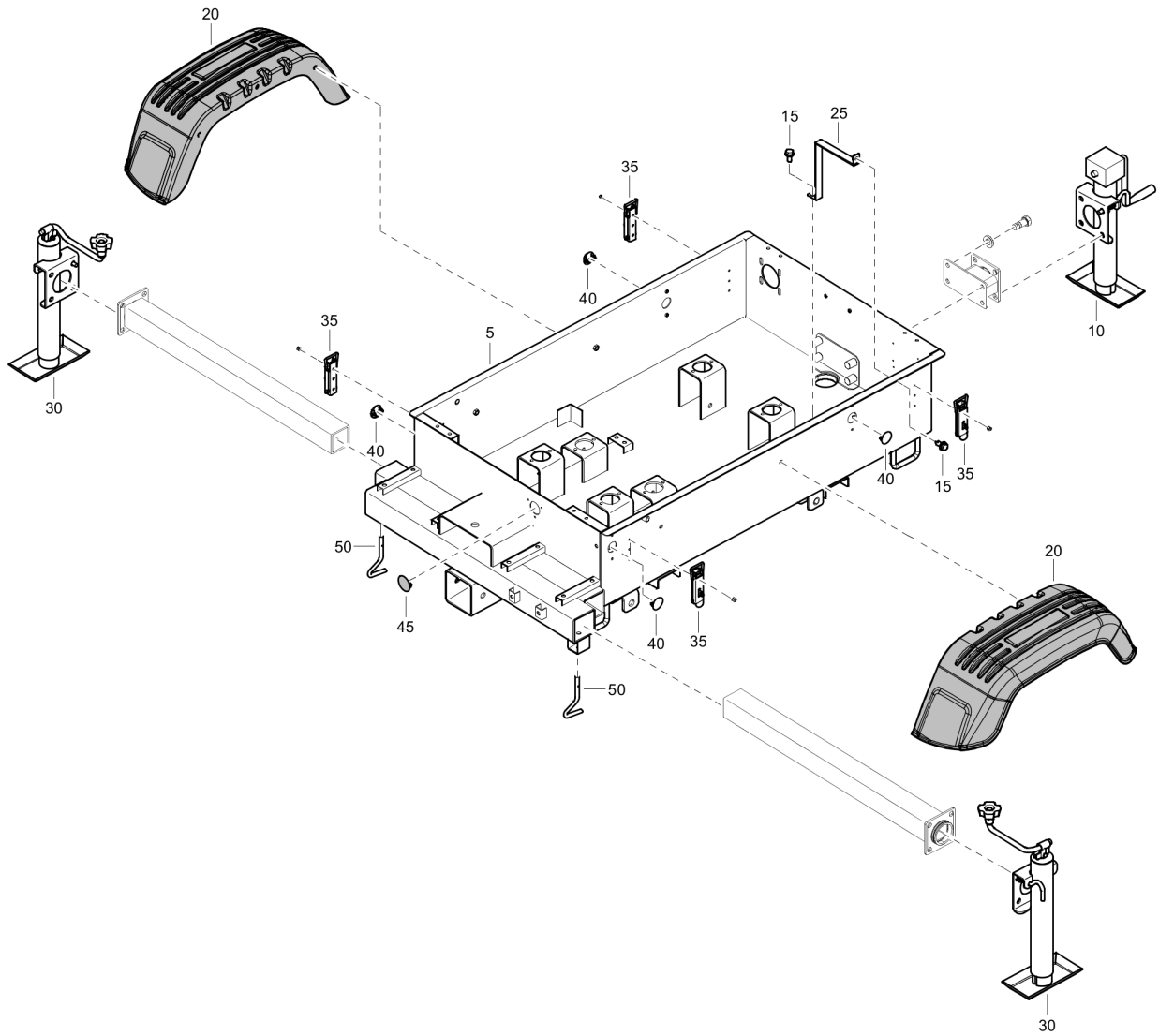
Service Coolant



Item	Part No.	Name	Qty	L
Not Shown	-	Gencool EG	AR	
A10	1626225701	Coolant can 5 Liter/1.32 Gallon (concentrate)	1	
A20	1626225501	Coolant can 5 Liter/1.32 Gallon	1	
A30	1626225601	Coolant can 20 Liter/5.3 Gallon	1	

Refer to the Parts Online web page for most up-to-date information. The printed information might be outdated.

Mechanical 1625091313_03 Frame

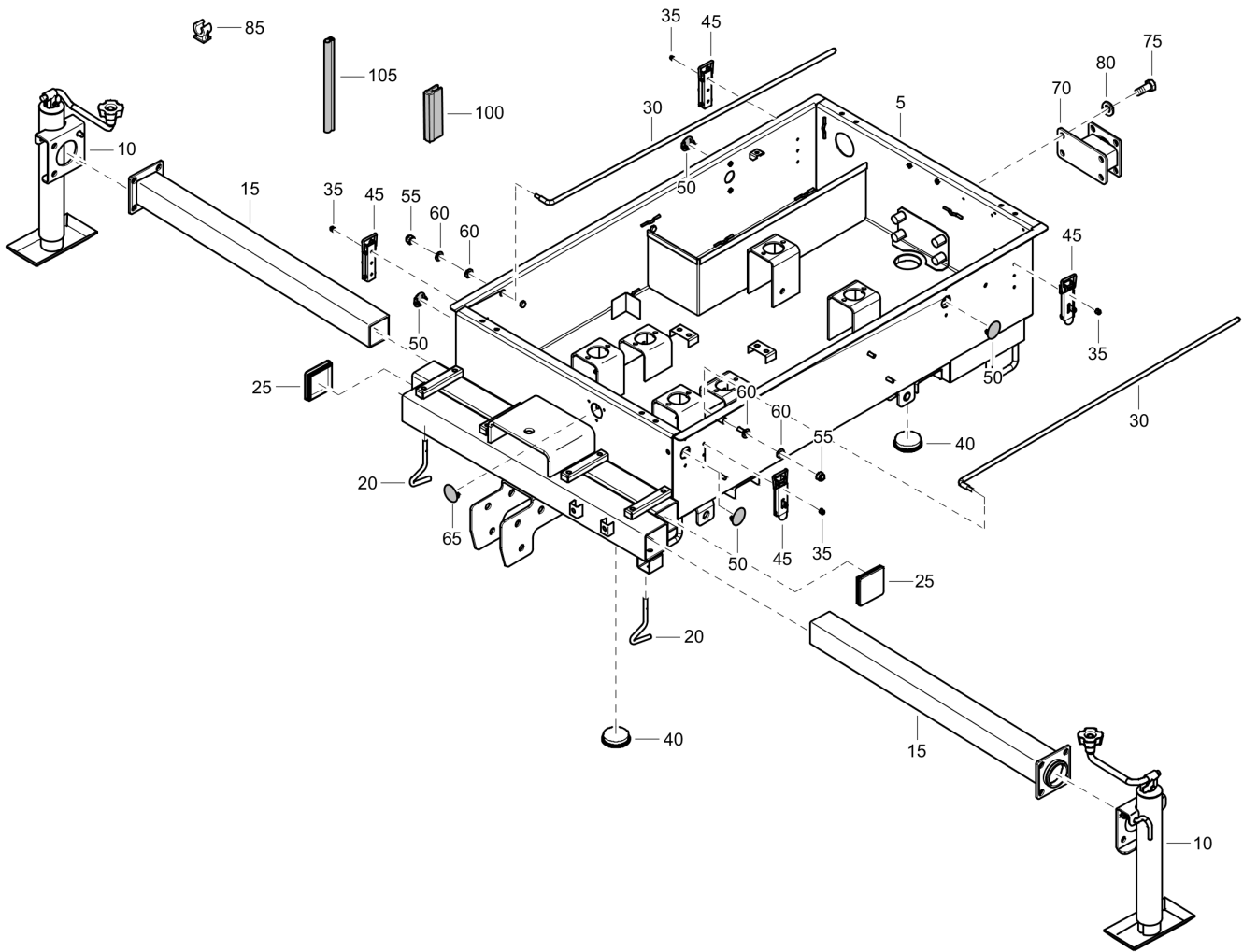


Refer to the Parts Online web page for most up-to-date information. The printed information might be outdated.

Item	Part No.	Name	Qty	L
5	1094036081	Frame assy.	1	
10	1092642100	Lifting jack side wind drawbar	1	
15	1619276600	Scr.bolt m8x20	6	
20	1094020900	Mudguard	2	
25	1094027901	Battery clamp	1	
30	1092642000	Lifting jack top wind	2	
35	1604668600	Latch	4	
40	1604385800	Plug	4	
45	1626412100	Plug	1	
50	1092621000	Lock pin	2	

Refer to the Parts Online web page for most up-to-date information. The printed information might be outdated.

Mechanical 1094036081_00 Frame assembly

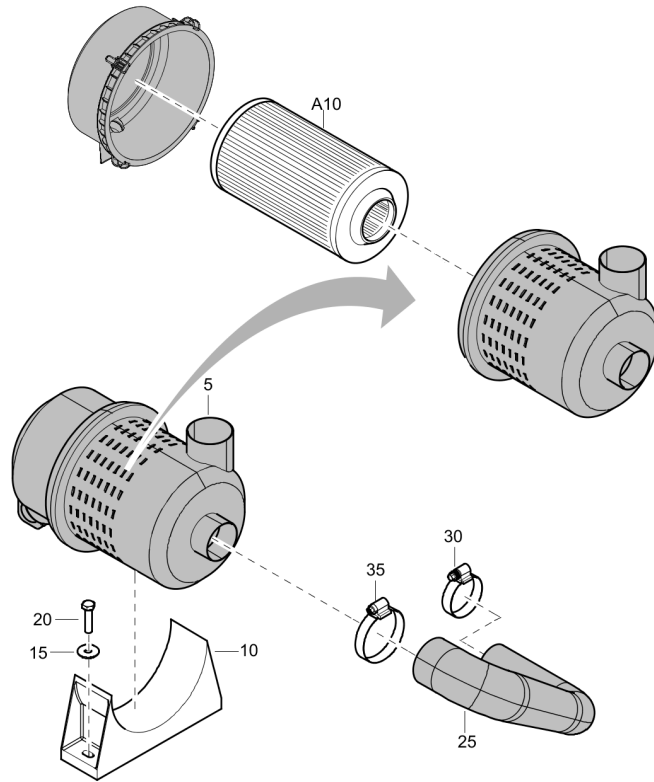


Refer to the Parts Online web page for most up-to-date information. The printed information might be outdated.

Item	Part No.	Name	Qty	L
5	1094036001	Frame	1	
10	1092642000	Lifting jack top wind	2	
15	1092846200	Outrigger support	2	
20	1092621000	Lock pin	2	
25	1094036035	Cap tube	2	
30	1094069100	Stick	2	
35	0129317401	Rivet	12	
40	1613265500	Plug	2	
45	1604668600	Latch	4	
50	1604385800	Plug	4	
55	0291111000	Locknut	2	
60	0301234400	Washer plain	4	
65	1626412100	Plug	1	
70	1094124200	Adapter	1	
75	0147140115	Screw	4	
80	0333520009	Washer	4	
85	1088083210	Clamp	2	
100	1202658400	Seal	AR	
105	1604431700	Seal	AR	

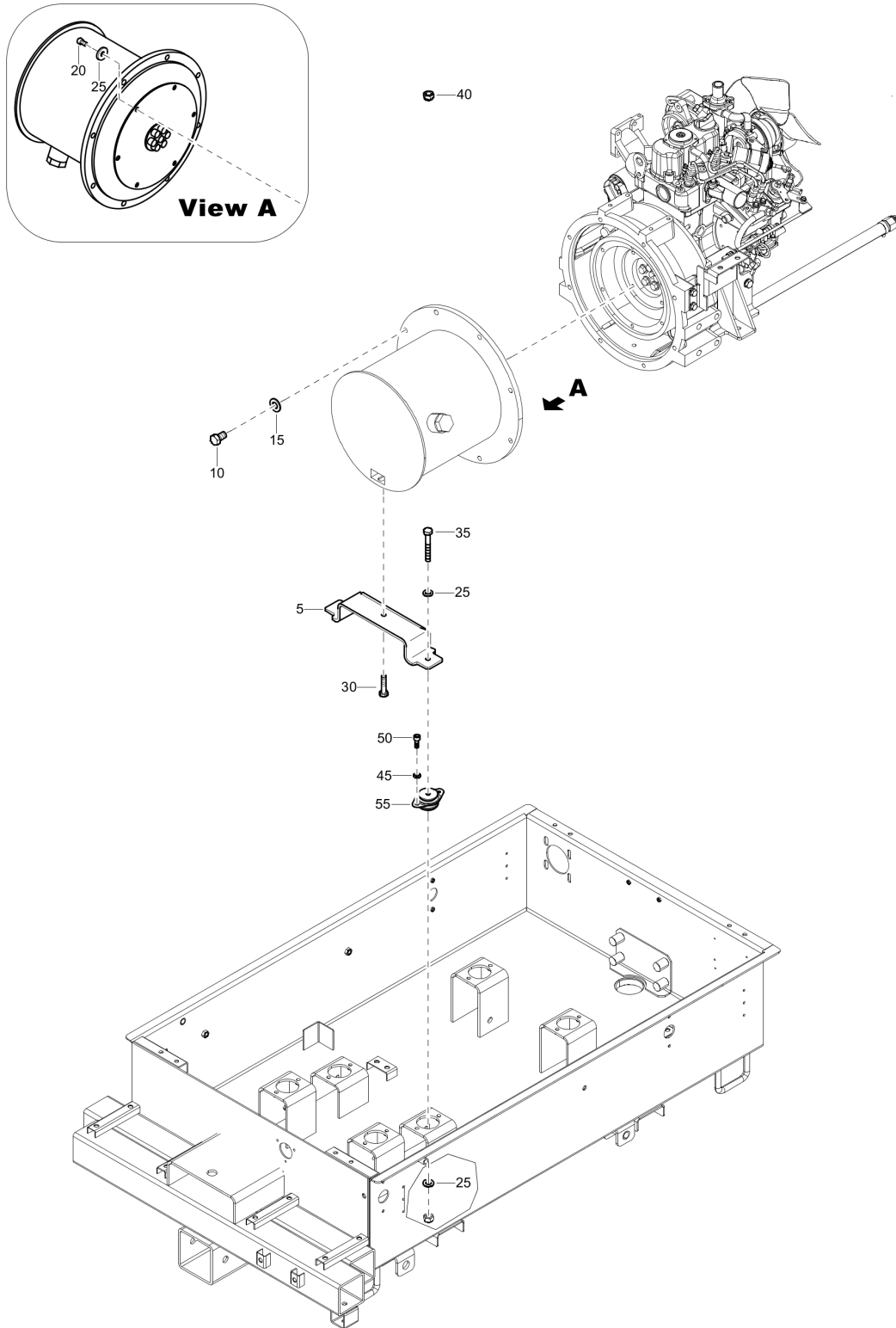
Refer to the Parts Online web page for most up-to-date information. The printed information might be outdated.

Mechanical 1625091731_00 Air inlet system



Item	Part No.	Name	Qty	L
5	-	Air filter	1	
A10	1615712500	Support	1	
10	0300801900	Plain washer	1	
15	0147132703	Hex. head screw m8 x 35	2	
20	1092850800	Hose air inlet	2	
25	0347611200	Hose clamp	1	
30	0347611300	Hose clamp	1	
35	1092037370	Air filter	1	

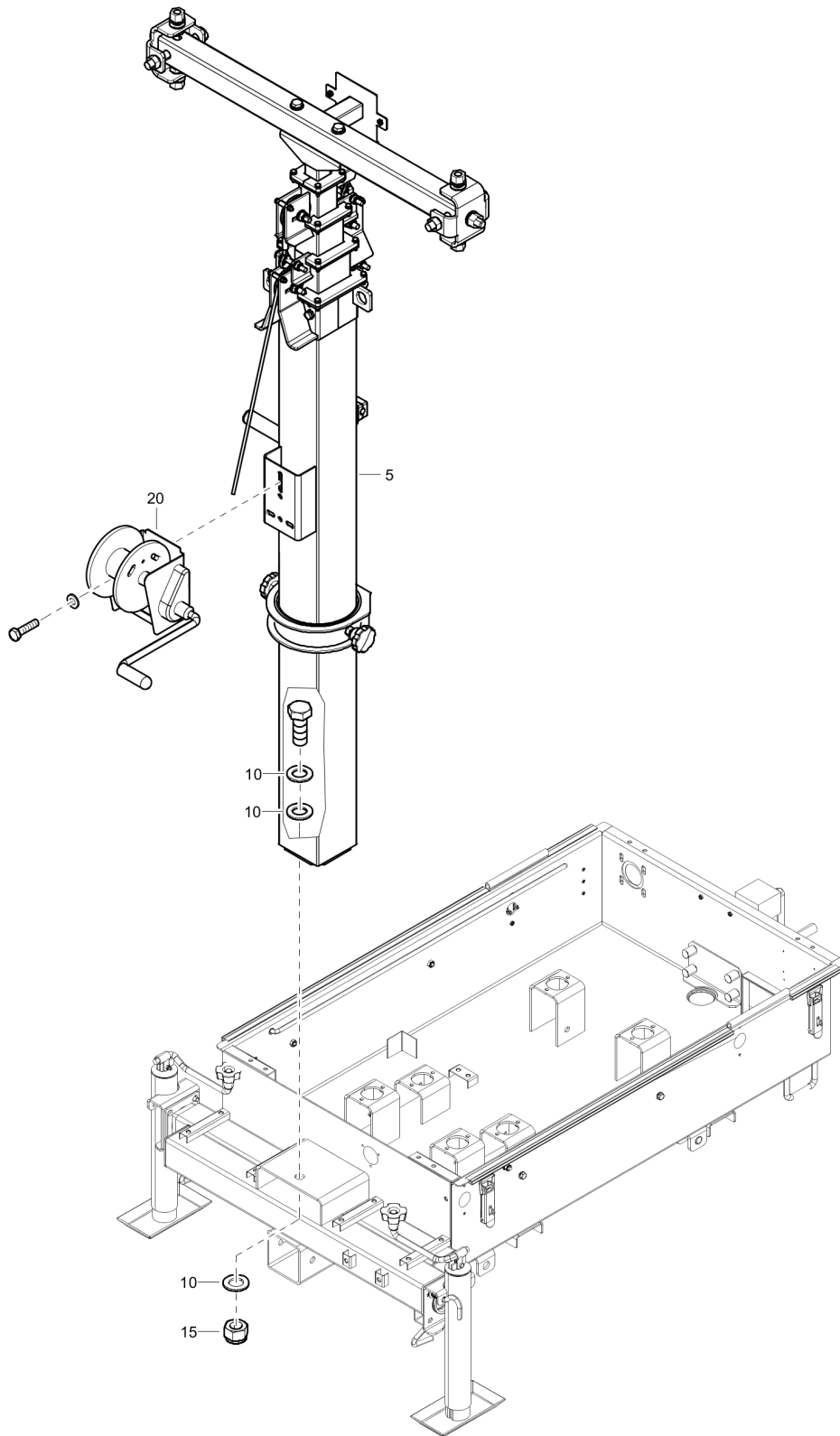
Mechanical 1625054274_01 Alternator and accessories



Refer to the Parts Online web page for most up-to-date information. The printed information might be outdated.

Item	Part No.	Name	Qty	L
5	1094119600	Support	1	
10	0144328703	Screw	8	
15	0301234400	Washer plain	8	
20	0211516203	Hex head screw	6	
25	0301233500	Plain washer(a) 8.4 x 16 x 1.6	10	
30	0147196239	Screw	1	
35	0147133103	Hexagon bolt	2	
40	0291111000	Locknut	3	
45	0301232100	Plain washer	4	
50	0211124603	Screw	4	
55	1094119300	Damper	2	

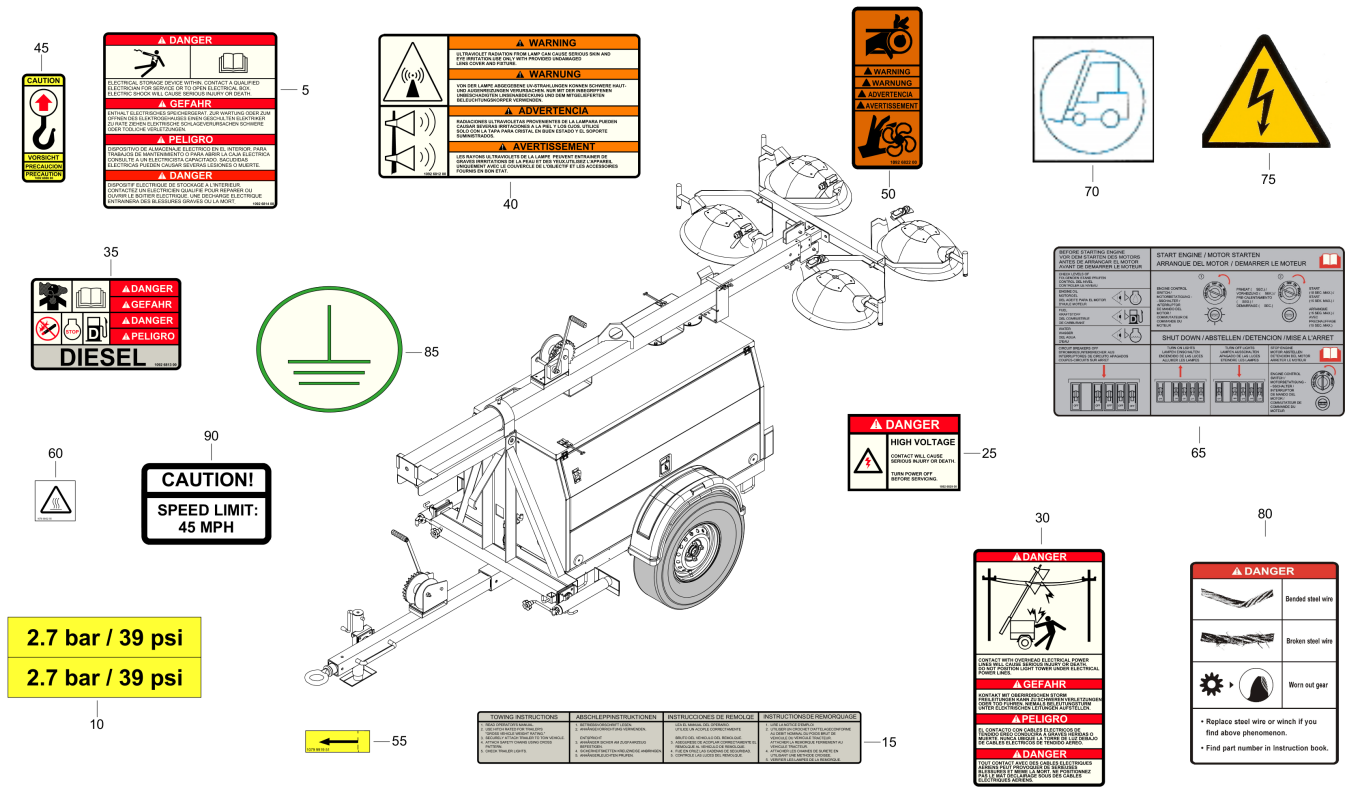
Mechanical 1625054245_00 Mast assembly



Refer to the Parts Online web page for most up-to-date information. The printed information might be outdated.

Item	Part No.	Name	Qty	L
5	1094011381	Mast assembly	1	
10	0300012930	Plain washer	3	
15	0291112843	Nut lock	1	
20	1092870900	Winch	1	

Mechanical 1625054297_02 Markings

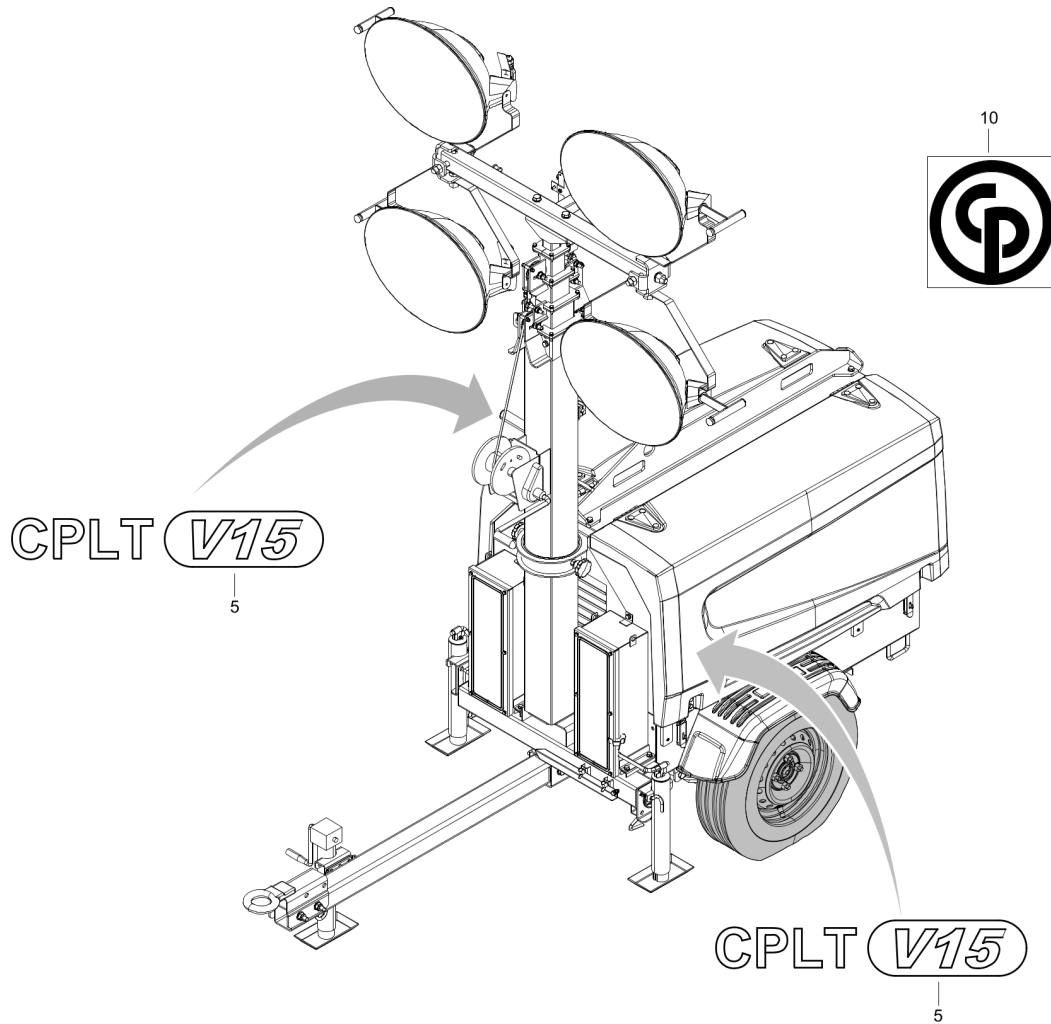


Refer to the Parts Online web page for most up-to-date information. The printed information might be outdated.

Item	Part No.	Name	Qty	L
5	1092681400	Decal	1	
10	1092682600	Decal	1	
15	1092680500	Decal	1	
25	1092682900	Decal	1	
30	1092680700	Decal	1	
35	1092681300	Decal	1	
40	1092681200	Decal	1	
45	1092680600	Decal	2	
50	1092682200	Decal	2	
55	1079991951	Sticker	2	
60	1079990255	Label	2	
65	1094130800	Decal	1	
70	1079990360	Information label	1	
75	1088100102	Safety label,electricity	2	
80	1094130900	Decal	1	
85	1092682400	Decal	1	
90	1094191300	Label	1	

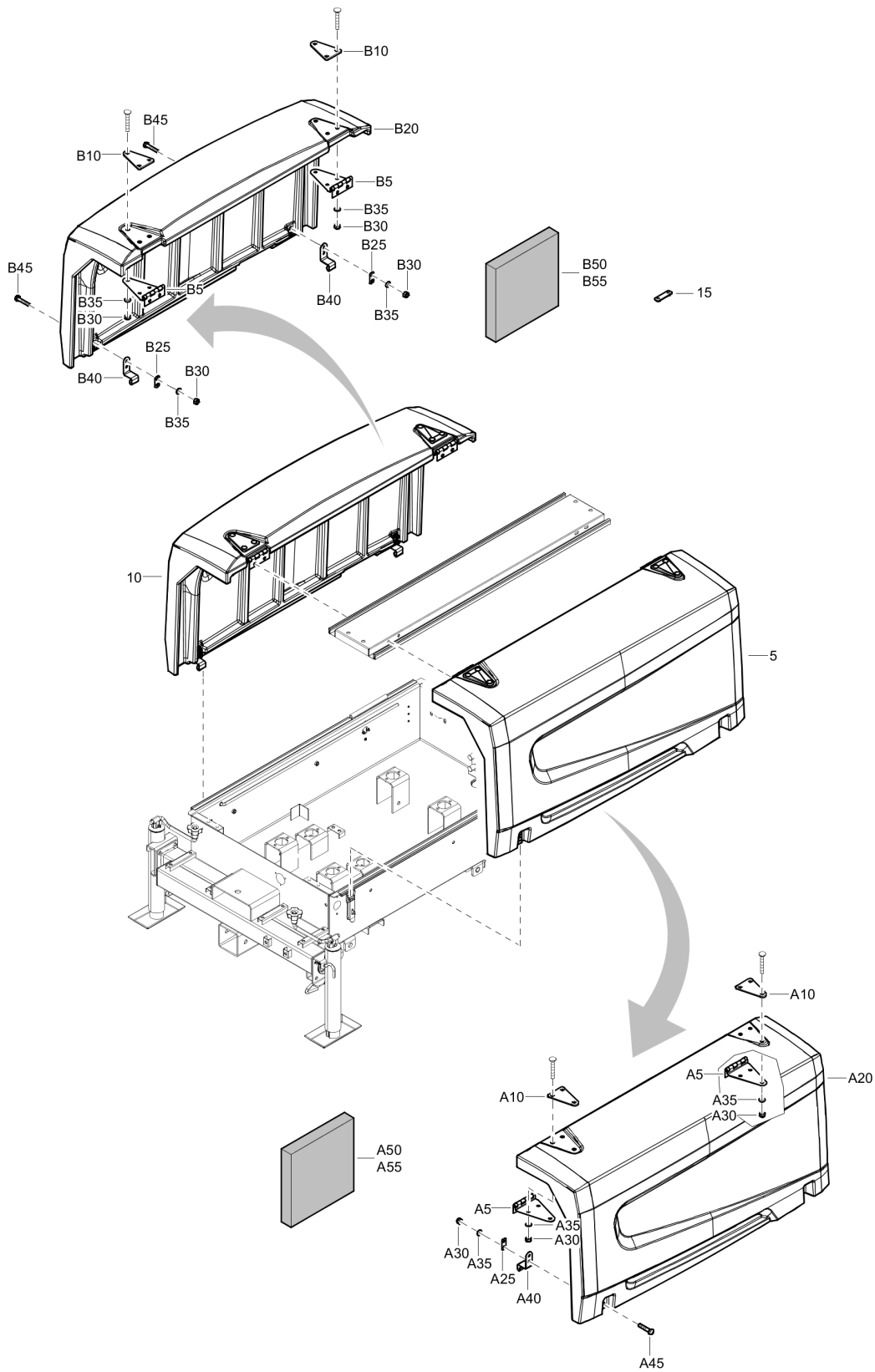
Refer to the Parts Online web page for most up-to-date information. The printed information might be outdated.

Mechanical 1625091732_02 Markings



Item	Part No.	Name	Qty	L
5	1094134000	Decal	2	
10	1626537301	Label	2	

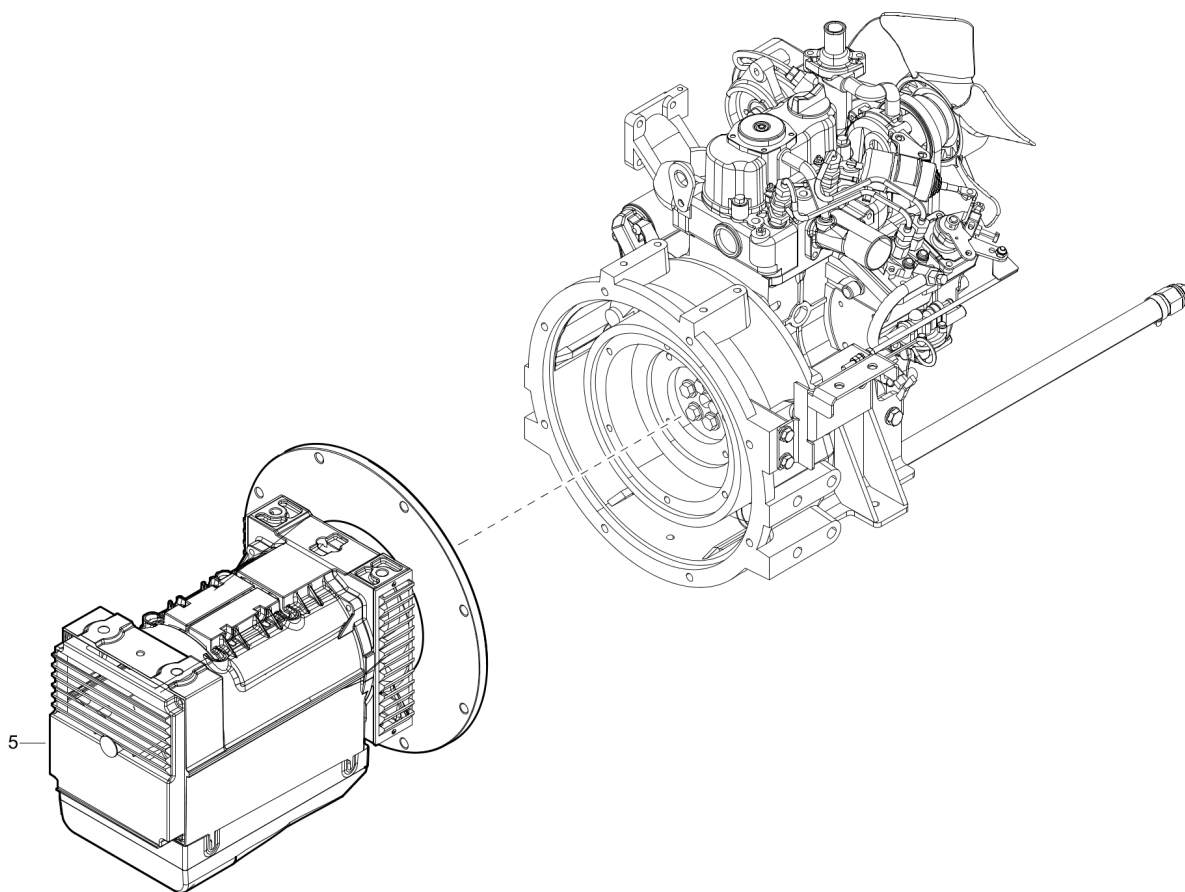
Mechanical 1625091736_03 Canopy



Refer to the Parts Online web page for most up-to-date information. The printed information might be outdated.

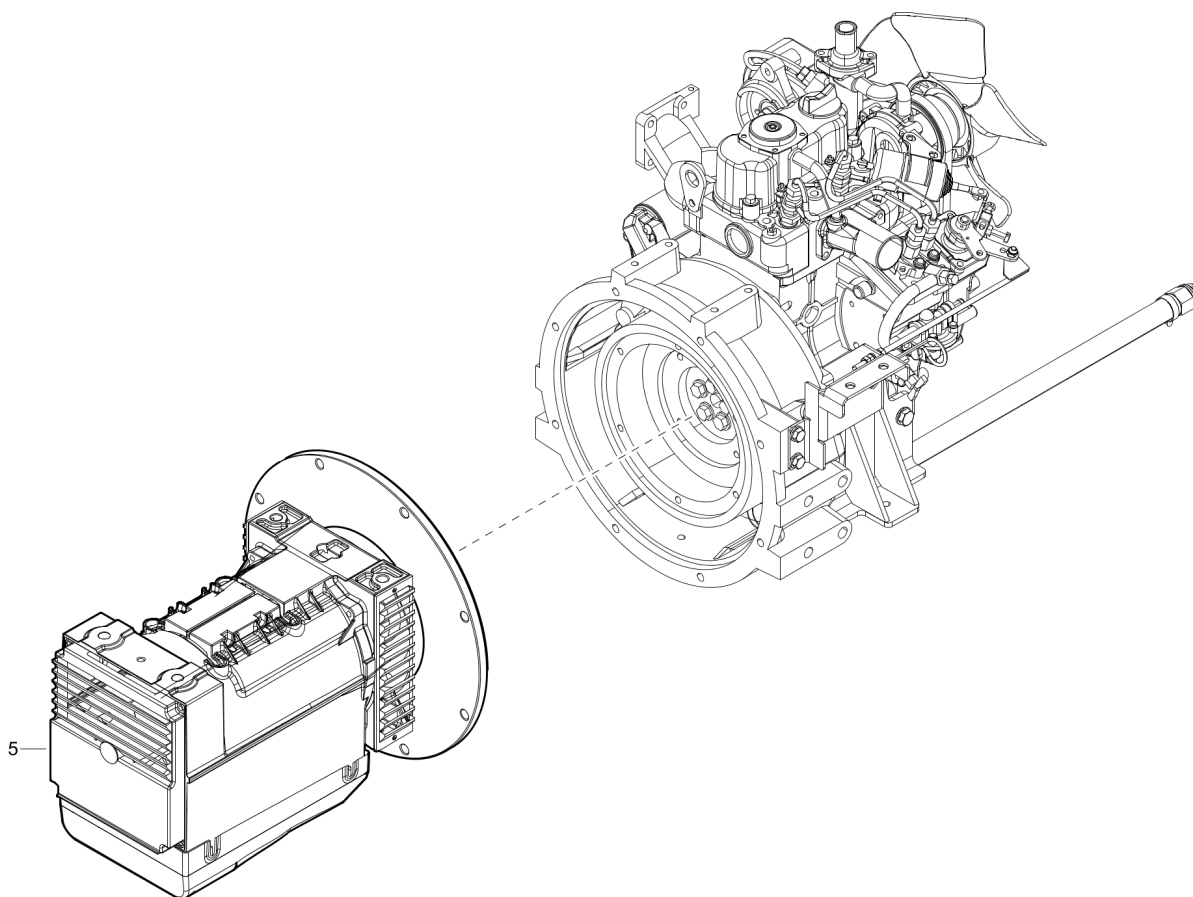
Item	Part No.	Name	Qty	L
5	1094133881	Door assembly	1	
A5	1094069300	Hinge fix	2	
A10	1094052700	Cover	2	
A20	1094133800	Door	1	
A25	1094070900	Plate	2	
A30	0291111000	Locknut	10	
A35	0301233500	Plain washer(a) 8.4 x 16 x 1.6	10	
A40	1094052401	Catch	2	
A45	0147132803	Screw	4	
A50	-	Insulation silencing foam	1	
A55	-	Insulation silencing foam	1	
10	1094133981	Door assembly	1	
B5	1094069300	Hinge fix	2	
B10	1094052700	Cover	2	
B20	1094133900	Door	1	
B25	1094070900	Plate	2	
B30	0291111000	Locknut	10	
B35	0301233500	Plain washer(a) 8.4 x 16 x 1.6	10	
B40	1094052401	Catch	2	
B45	0147132803	Screw	4	
B50	-	Insulation silencing foam	1	
B55	-	Insulation silencing foam	1	
15	1094149100	Support	2	

Mechanical 1625054264_01 Alternator



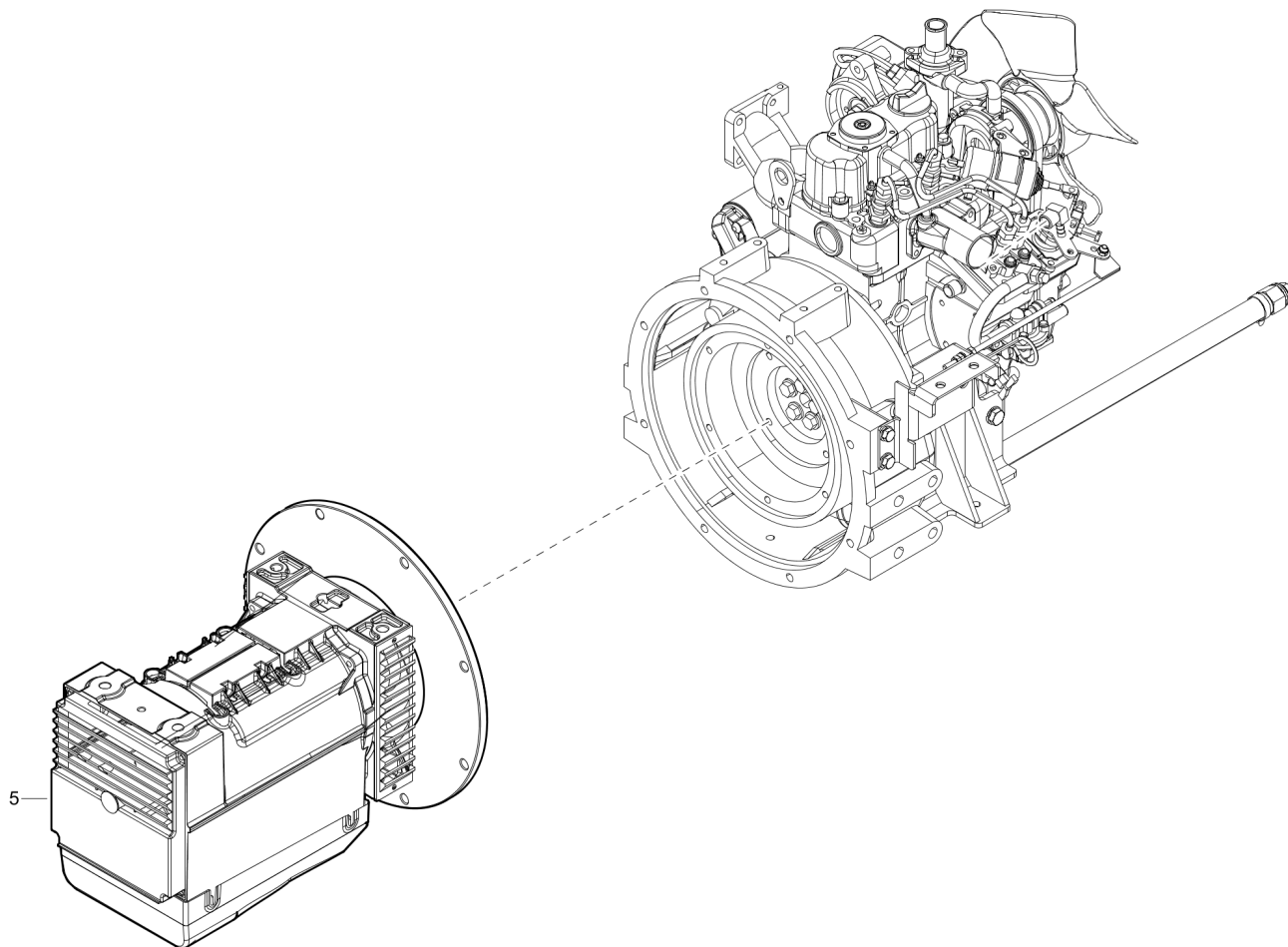
Item	Part No.	Name	Qty	L
5	1094160600	Alternator	1	

Mechanical 1625054265_01 Alternator



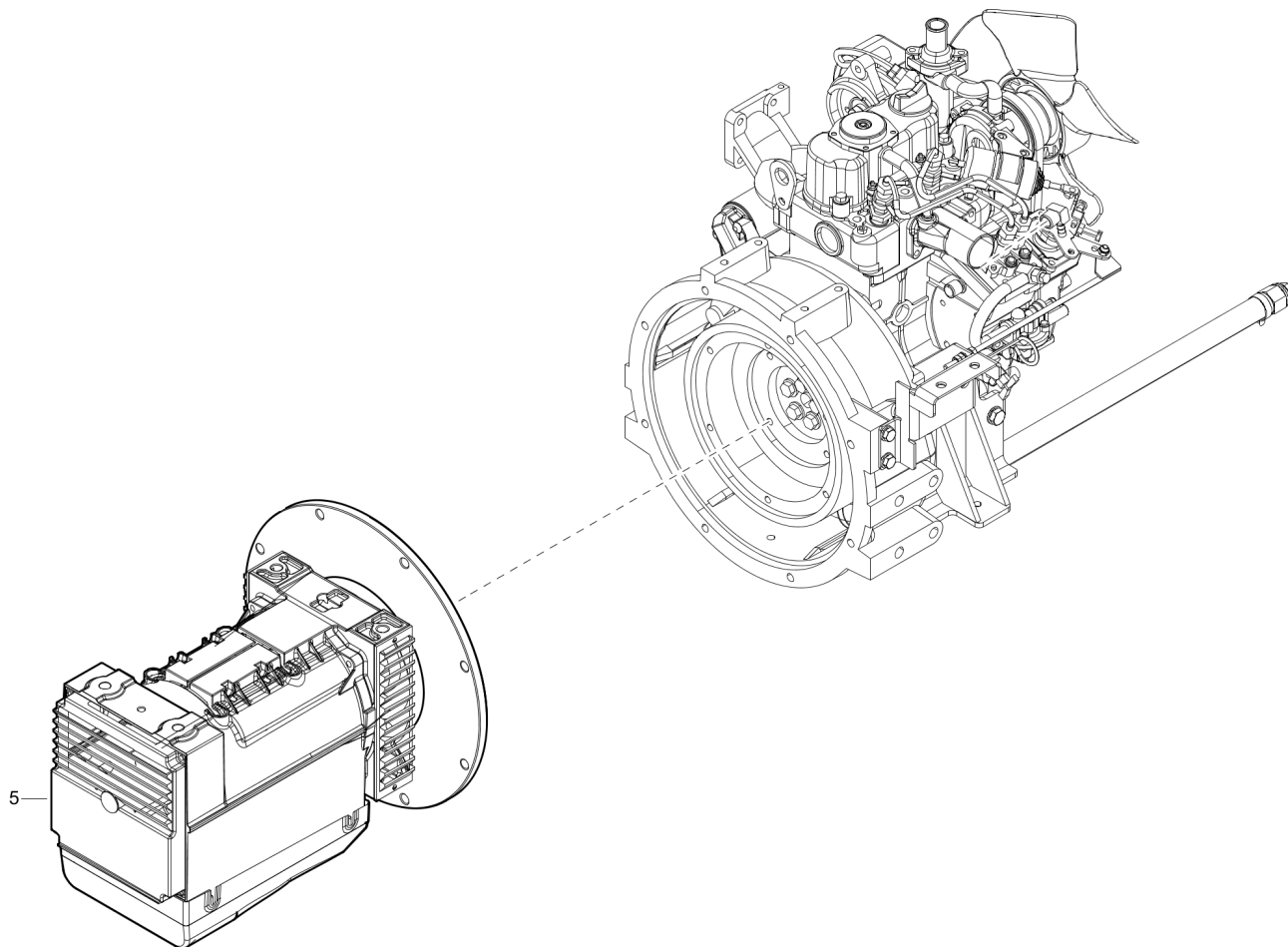
Item	Part No.	Name	Qty	L
5	1094160700	Alternator	1	

Mechanical 1625091235_00 Alternator ac v15 mh 50hz



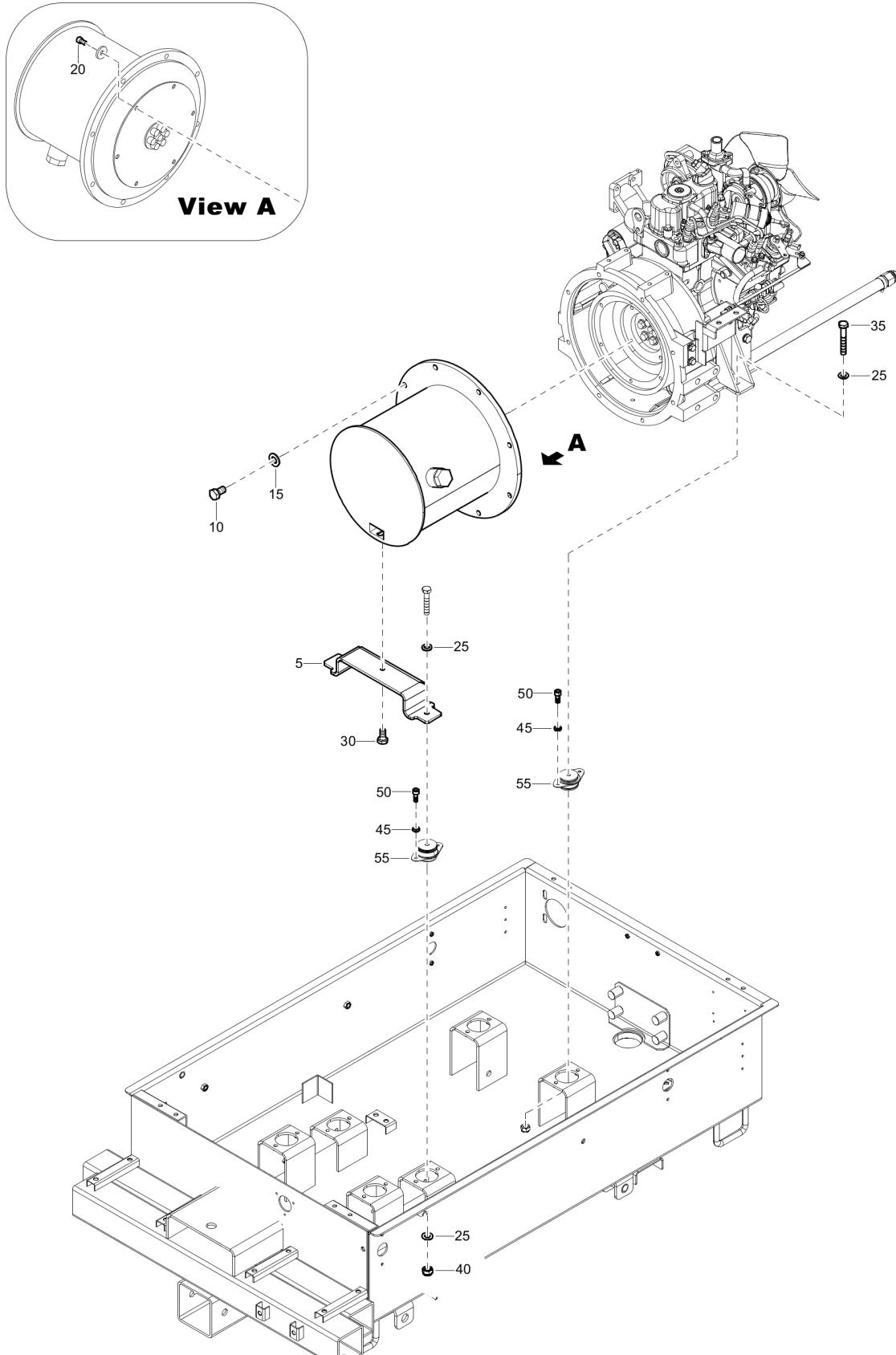
Item	Part No.	Name	Qty	L
5	1092850000	Alternator	1	

Mechanical 1625091727_00 Alternator



Item	Part No.	Name	Qty	L
5	1092866000	Atlernator V15 60 Hz	1	

Mechanical 1625091221_00 Alternator accessories

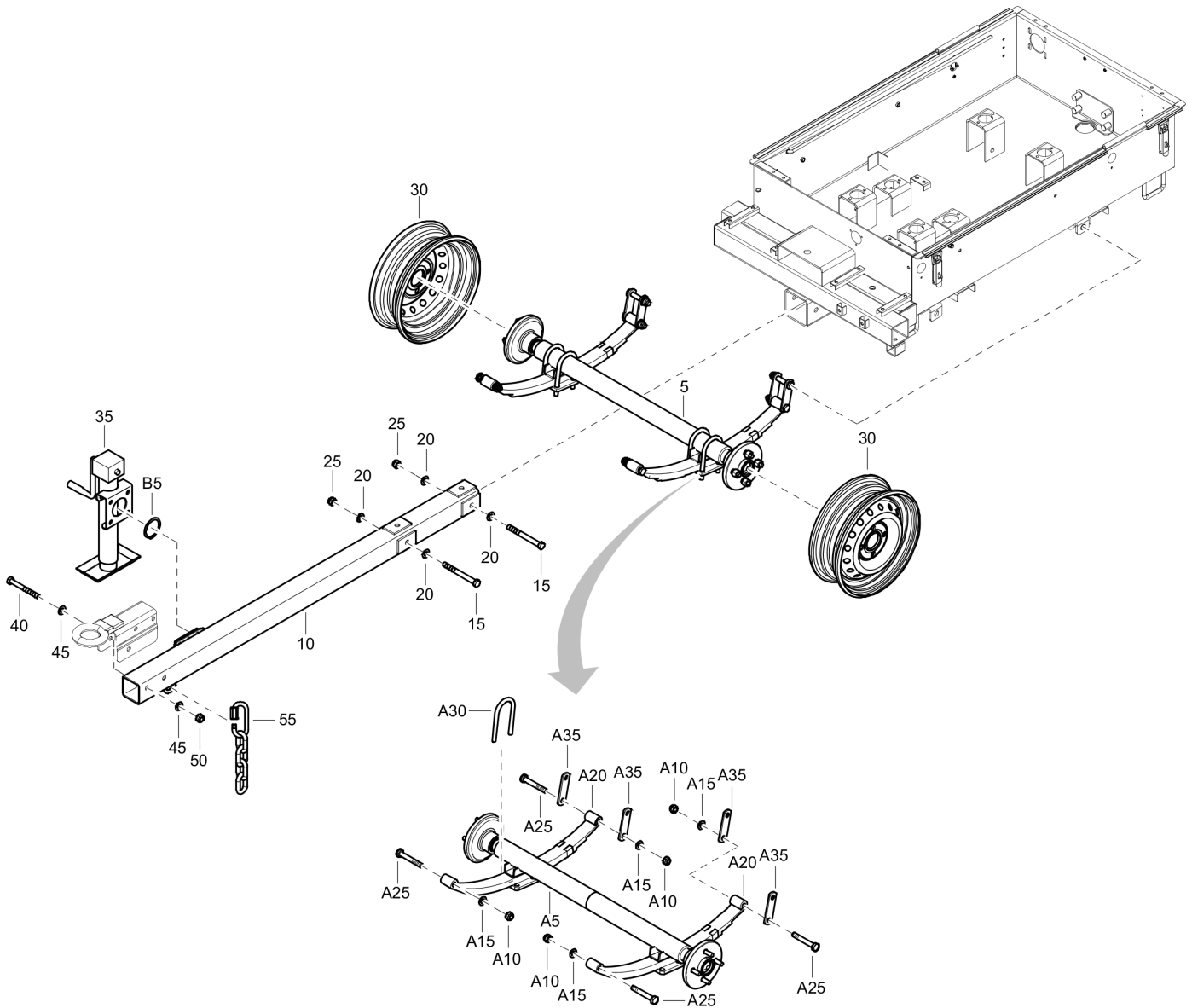


Refer to the Parts Online web page for most up-to-date information. The printed information might be outdated.

Item	Part No.	Name	Qty	L
5	1092850501	Support alternator	1	
10	0144328703	Screw	8	
15	0301234400	Washer plain	8	
20	0211516203	Hex head screw	6	
25	0301233500	Plain washer(a) 8.4 x 16 x 1.6	11	
30	0147132203	Screw	1	
35	0147133103	Hexagon bolt	2	
40	0291111000	Locknut	2	
45	0301232100	Plain washer	4	
50	0211124603	Screw	4	
55	1094073100	Buffer light tower	2	

Refer to the Parts Online web page for most up-to-date information. The printed information might be outdated.

Mechanical 1625091234_02 Under carriage

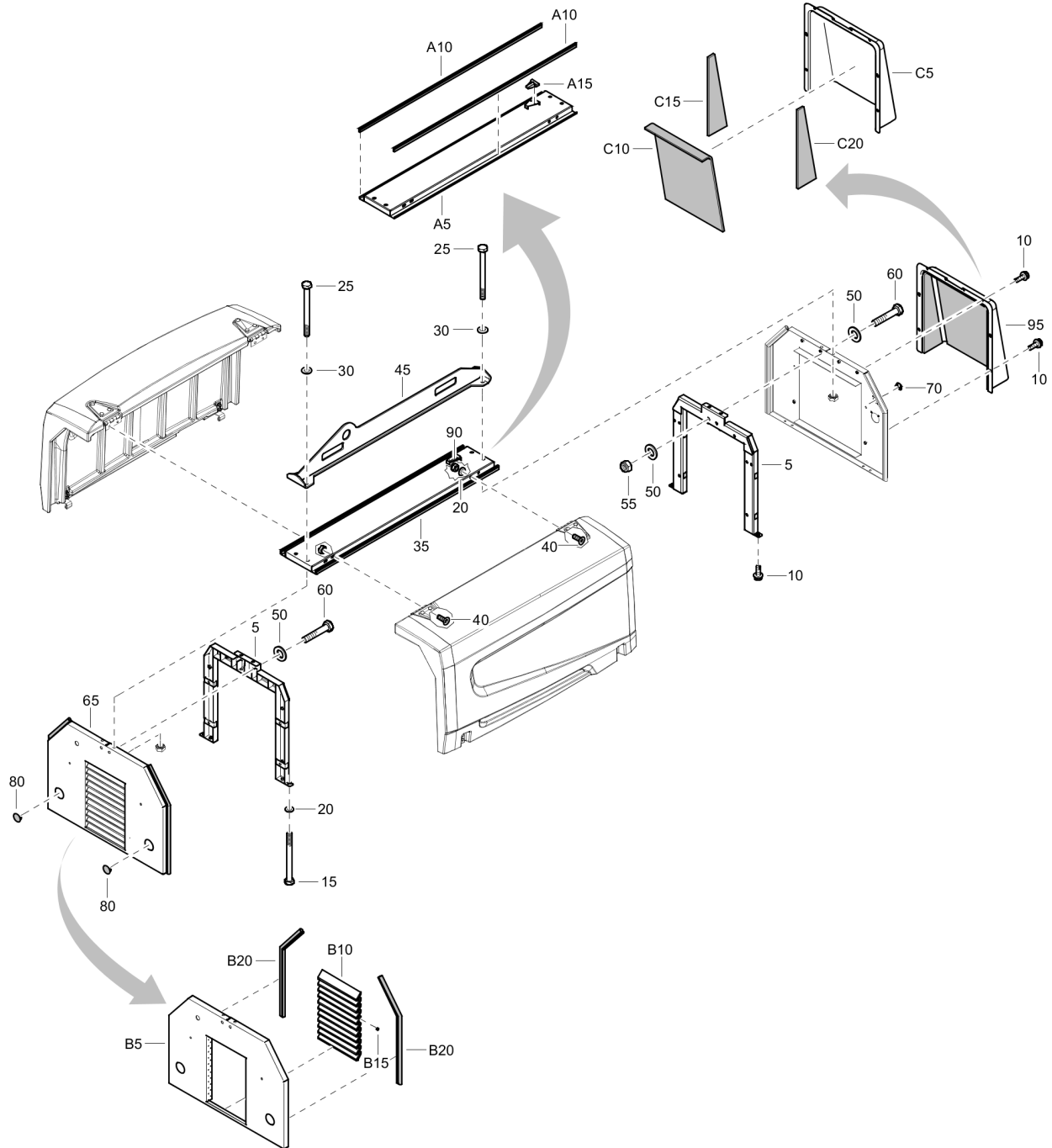


Refer to the Parts Online web page for most up-to-date information. The printed information might be outdated.

Item	Part No.	Name	Qty	L
5	1092876601	Axle	1	
A5	1092876633	Axle	1	
A10	0291111300	Nut DIN985	6	
A15	0301237100	Washer DIN125	6	
A20	1092636080	Spring leaf	2	
A25	0147145003	Screw DIN931	6	
A30	1092635700	U-bolt	4	
A35	1092635900	Plate	4	
10	1094034501	Draw bar	1	
15	0147145703	Hex. head screw	2	
20	0301237100	Washer DIN125	4	
25	0291111300	Nut DIN985	2	
30	1092688000	Tyre assembly	2	
35	1092642100	Lifting jack side wind drawbar	1	
B5	1092817300	Snap ring light tower	1	
40	0147110787	Hexagon screw	2	
45	0301237100	Washer DIN125	4	
50	0291111300	Nut DIN985	2	
55	1604157480	Chain	1	

Refer to the Parts Online web page for most up-to-date information. The printed information might be outdated.

Mechanical 1625091305_05 Canopy

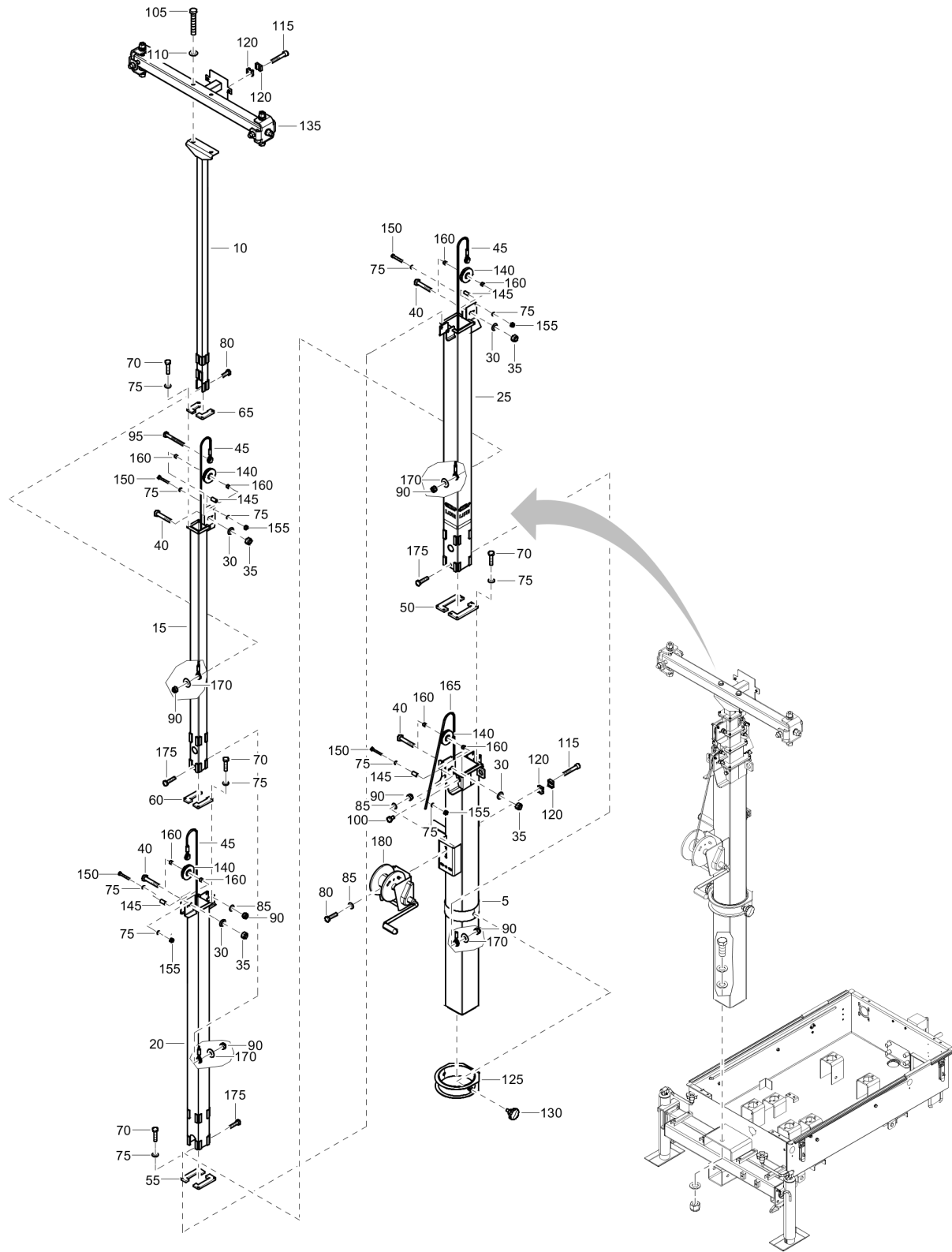


Refer to the Parts Online web page for most up-to-date information. The printed information might be outdated.

Item	Part No.	Name	Qty	L
5	1094020803	A support	2	
10	1619276600	Scr.bolt m8x20	12	
15	0147132903	Hex. head screw	4	
20	0301233500	Plain washer(a) 8.4 x 16 x 1.6	8	
25	0147137903	Hexagon bolt	4	
30	0301234400	Washer plain	4	
35	1094037582	Roof assy.	1	
A5	1094037502	Beam	1	
A10	1202658400	Seal	AR	
A15	1094125400	Gradienter	1	
40	0216132403	Screw	8	
45	1094017901	Beam	1	
50	0301235800	Washer	6	
55	0291111200	Nut DIN985	2	
60	0147140603	Hex.bolt-m12x55	4	
65	1094022383	Inlet panel	1	
B5	1094022303	Inlet panel	1	
B10	1094104300	Guide air	10	
B15	0129327033	Rivet	40	
B20	1604431700	Seal	AR	
70	1604385800	Plug	1	
80	1626412100	Plug	2	
90	0291111000	Locknut	4	
95	1094111681	Cover outlet	1	
C5	1094111601	Cover outlet	1	
C10	-	Insulation silencing foam	1	
C15	-	Insulation silencing foam	1	
C20	-	Insulation silencing foam	1	

Refer to the Parts Online web page for most up-to-date information. The printed information might be outdated.

Mechanical 1094011381_00 Mast assembly



Refer to the Parts Online web page for most up-to-date information. The printed information might be outdated.

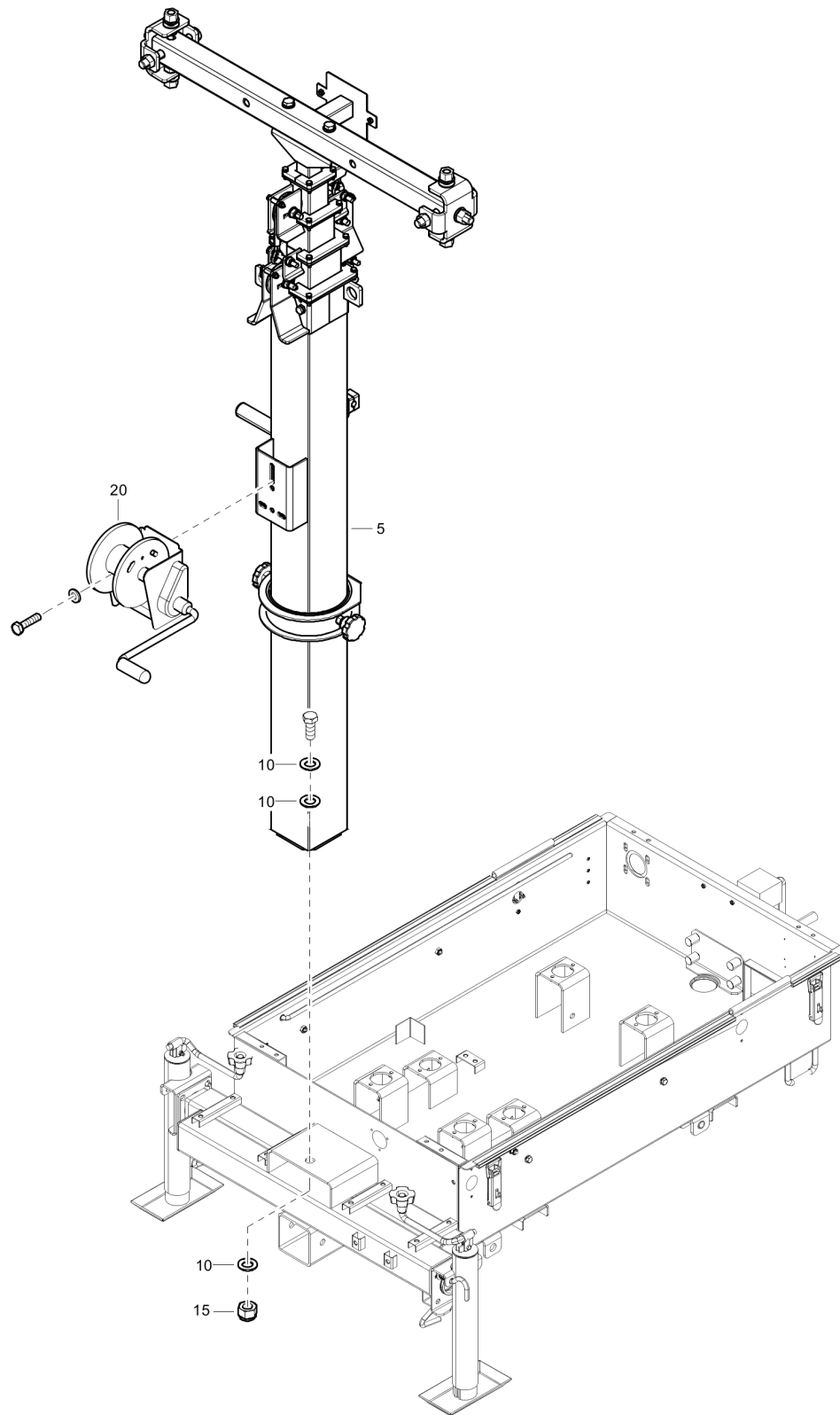
Item	Part No.	Name	Qty	L
5	1094011700	Mast	1	
10	1094011300	Mast	1	
15	1094011400	Mast	1	
20	1094011500	Mast	1	
25	1094011600	Mast	1	
30	0301235800	Washer	4	
35	0291111200	Nut DIN985	4	
40	0147140703	Hexagon bolt	4	
45	1092827900	Steel cable	3	
50	1094013300	Nylon pad	2	
55	1094013400	Nylon pad	2	
60	1094013500	Nylon pad	2	
65	1094013600	Nylon pad	2	
70	0147124903	Screw	20	
75	0301232100	Plain washer	28	
80	0147136203	Screw	4	
85	0301234400	Washer plain	9	
90	0291111100	Locknut	10	
95	0147137303	Hexagon bolt	3	
100	0147135903	Hexagon bolt	2	
105	0147145003	Screw DIN931	2	
110	0301237100	Washer DIN125	2	
115	0211125103	Hex sock. screw	4	
120	1094042000	Clamp	4	
125	1094011800	Mast	1	
130	1092637000	Handle tighten light tower	2	
135	1094053280	Support	1	
140	1094090380	Pulley assembly	4	
145	1094094300	Sleeve	4	
150	0147125303	Hex. head screw	4	
155	0291110800	Lock nut	4	
160	1094097500	Sleeve	8	
165	1092827800	Steel cable	1	
170	0300027417	Washer	4	
175	0147136403	Screw hexagon	3	

Refer to the Parts Online web page for most up-to-date information. The printed information might be outdated.

Item	Part No.	Name	Qty	L
180	1092870900	Winch	1	

This page intentionally left blank

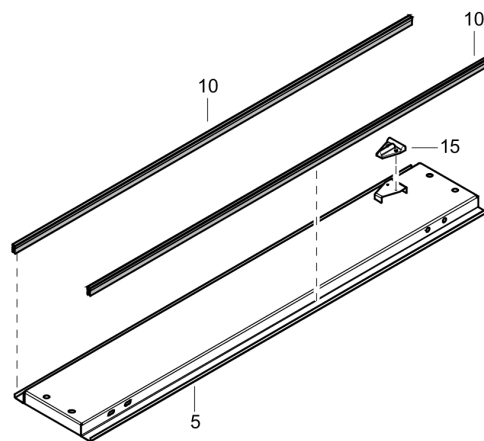
Mechanical 1625054262_01 Mast system



Refer to the Parts Online web page for most up-to-date information. The printed information might be outdated.

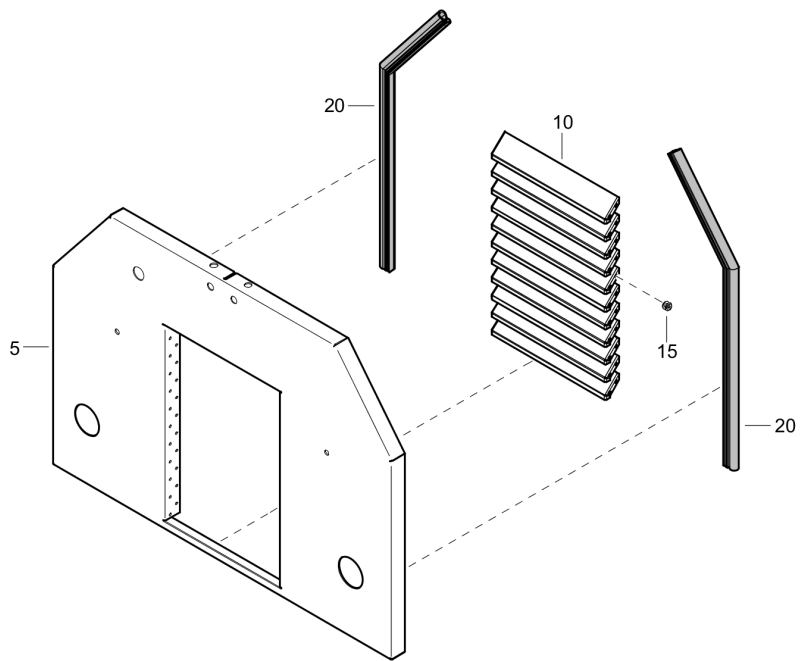
Item	Part No.	Name	Qty	L
5	1094164280	Mast assembly	1	
10	0300012930	Plain washer	3	
15	0291112843	Nut lock	1	
20	1092871500	Winch	1	

Mechanical 1094037582_00 Roof assembly



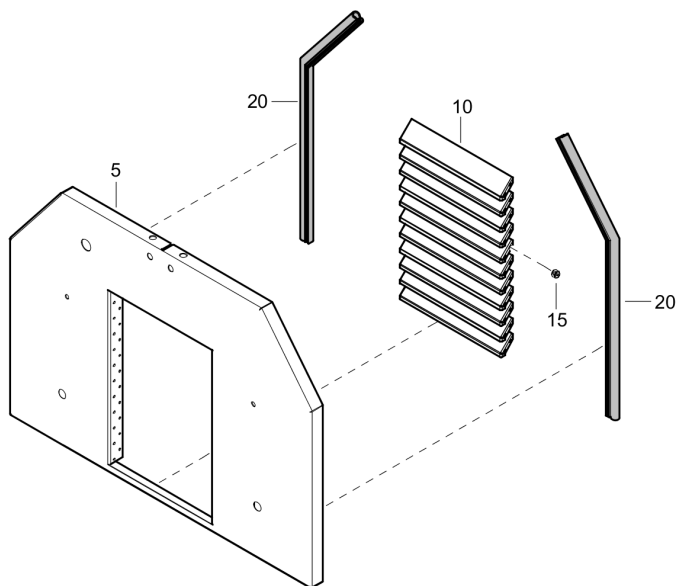
Item	Part No.	Name	Qty	L
5	1094037502	Beam	1	
10	1202658400	Seal	AR	
15	1094125400	Gradienter	1	

Mechanical 1094022383_01 Inlet panel



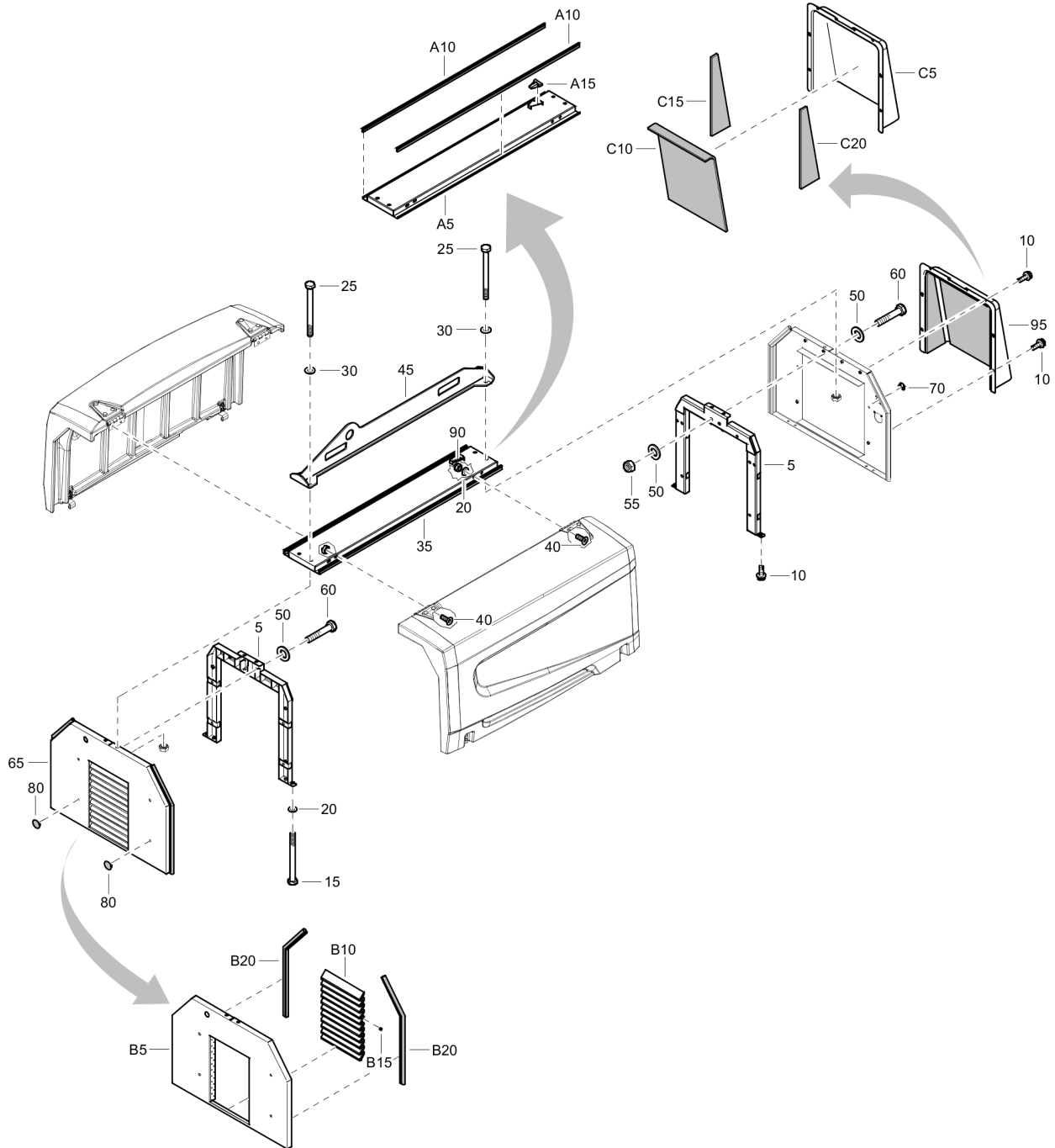
Item	Part No.	Name	Qty	L
5	1094022303	Inlet panel	1	
10	1094104300	Guide air	10	
15	0129327033	Rivet	40	
20	1604431700	Seal	AR	

Mechanical 1094184880_00 Inlet panel



Item	Part No.	Name	Qty	L
5	1094184800	Inlet panel	1	
10	1094104300	Guide air	10	
15	0129327033	Rivet	40	
20	1604431700	Seal	AR	

Mechanical 1625091773_01 Canopy

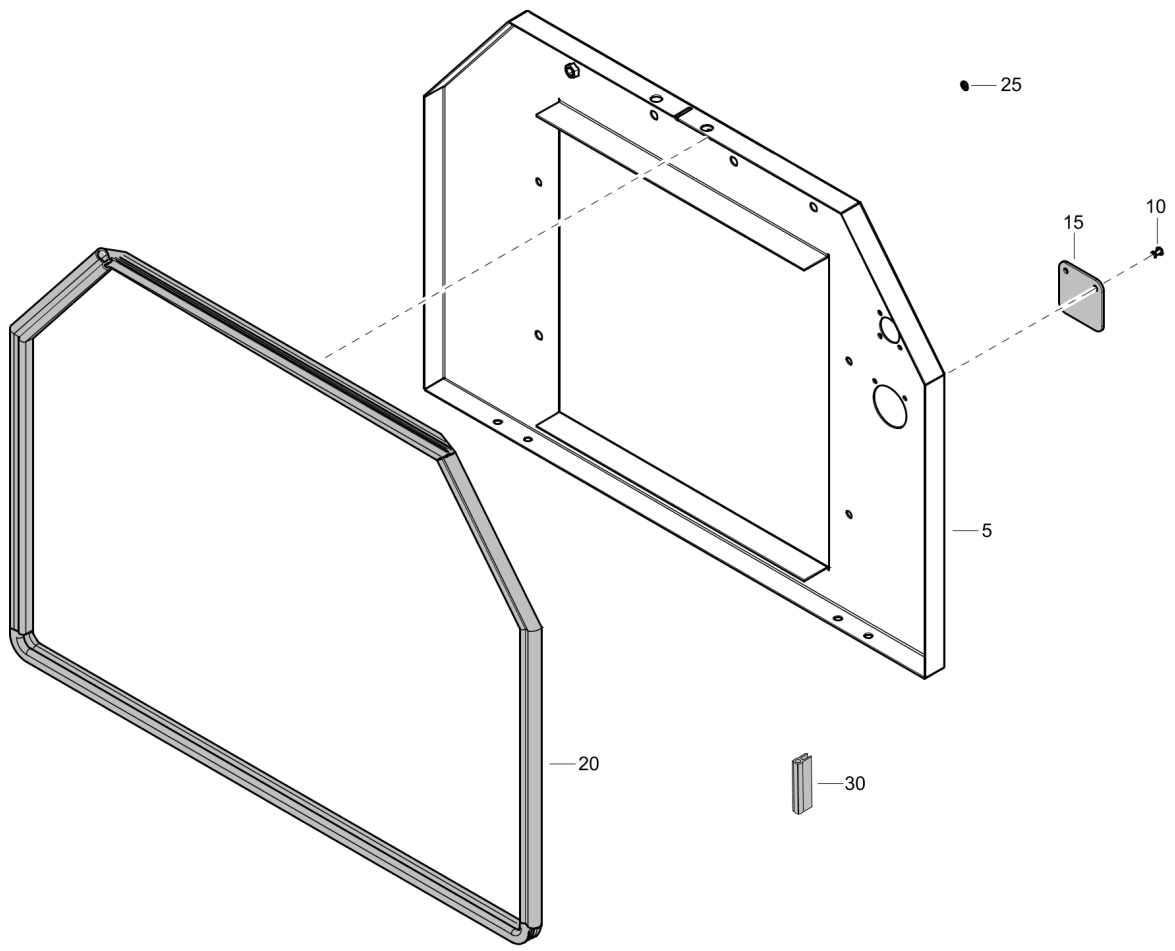


Refer to the Parts Online web page for most up-to-date information. The printed information might be outdated.

Item	Part No.	Name	Qty	L
5	1094020803	A support	2	
10	1619276600	Scr.bolt m8x20	12	
15	0147132903	Hex. head screw	4	
20	0301233500	Plain washer(a) 8.4 x 16 x 1.6	8	
25	0147137903	Hexagon bolt	4	
30	0301234400	Washer plain	4	
35	1094037582	Roof assy.	1	
A5	1094037502	Beam	1	
A10	1202658400	Seal	AR	
A15	1094125400	Gradienter	1	
40	0216132403	Screw	8	
45	1094017901	Beam	1	
50	0301235800	Washer	6	
55	0291111200	Nut DIN985	2	
60	0147140603	Hex.bolt-m12x55	4	
65	1094184880	Inlet panel	1	
B5	1094184800	Inlet panel	1	
B10	1094104300	Guide air	10	
B15	0129327033	Rivet	40	
B20	1604431700	Seal	AR	
70	1604385800	Plug	1	
80	1626412100	Plug	2	
90	0291111000	Locknut	4	
95	1094111681	Cover outlet	1	
C5	1094111601	Cover outlet	1	
C10	-	Insulation silencing foam	1	
C15	-	Insulation silencing foam	1	
C20	-	Insulation silencing foam	1	

Refer to the Parts Online web page for most up-to-date information. The printed information might be outdated.

Mechanical 1094022282_02 Panel

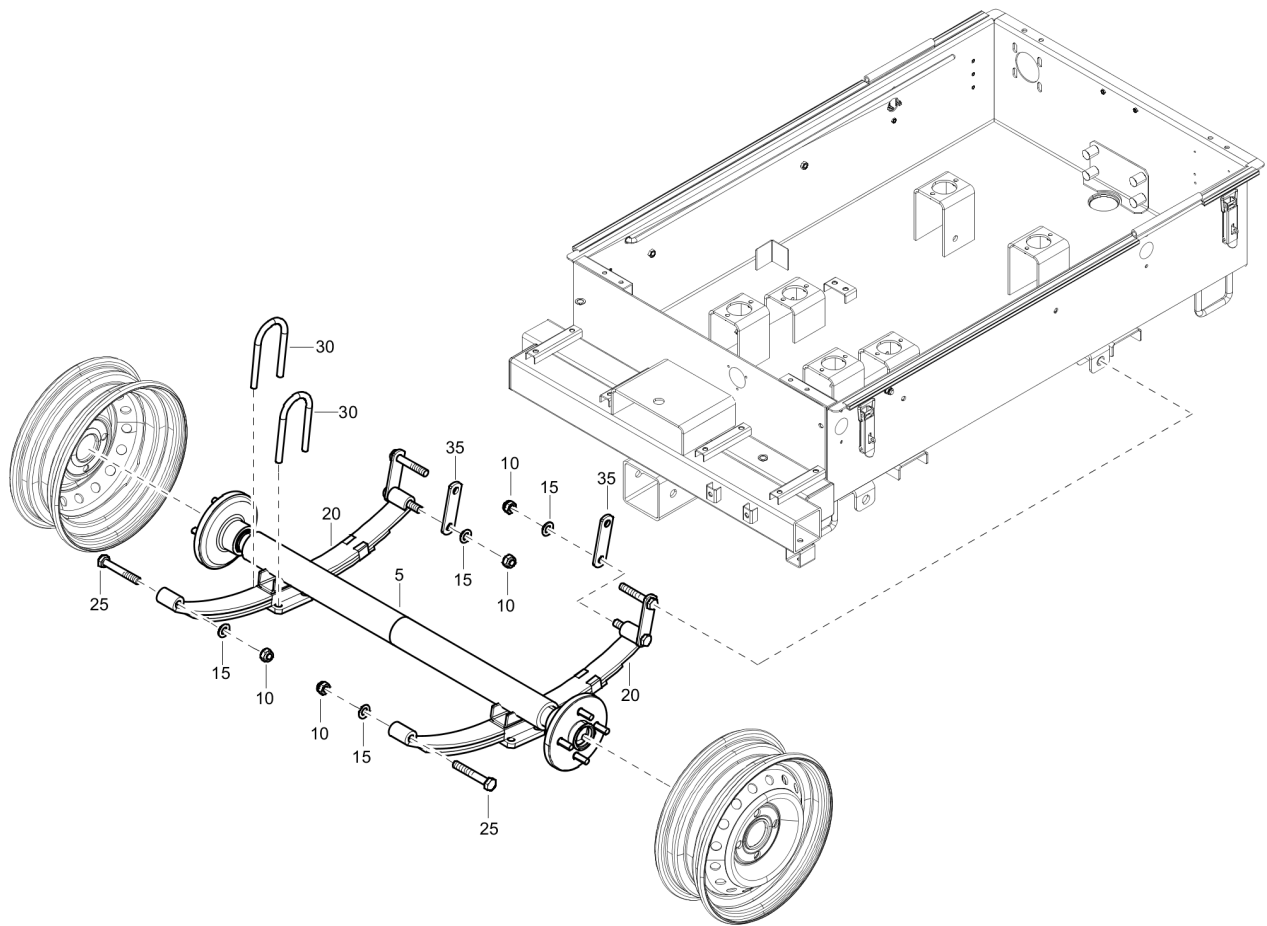


Refer to the Parts Online web page for most up-to-date information. The printed information might be outdated.

Item	Part No.	Name	Qty	L
5	1094022202	Panel	1	
10	0129327056	Blind rivet	2	
15	1094022335	Seal	1	
20	1604431700	Seal	AR	
25	0301231800	Washer	2	
30	1202658400	Seal	AR	

Refer to the Parts Online web page for most up-to-date information. The printed information might be outdated.

Mechanical 1092876601_01 Axle

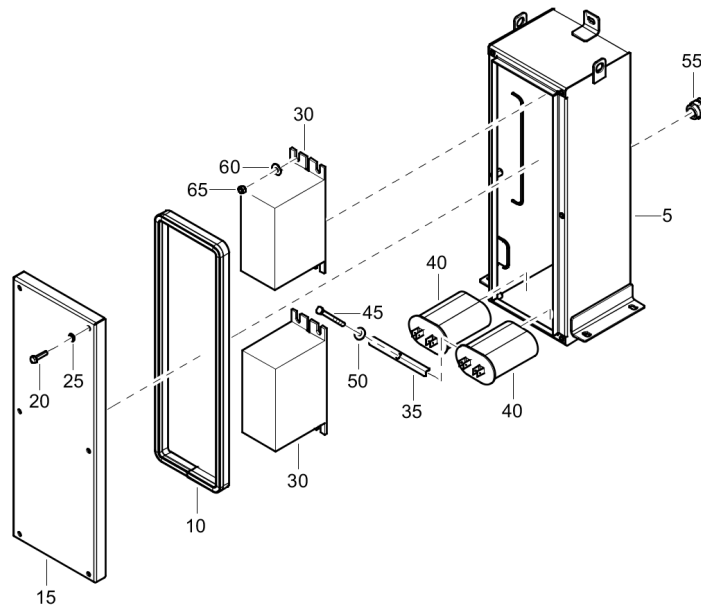


Refer to the Parts Online web page for most up-to-date information. The printed information might be outdated.

Item	Part No.	Name	Qty	L
5	1092876633	Axle	1	
10	0291111300	Nut DIN985	6	
15	0301237100	Washer DIN125	6	
20	1092636080	Spring leaf	2	
25	0147145003	Screw DIN931	6	
30	1092635700	U-bolt	4	
35	1092635900	Plate	4	

Refer to the Parts Online web page for most up-to-date information. The printed information might be outdated.

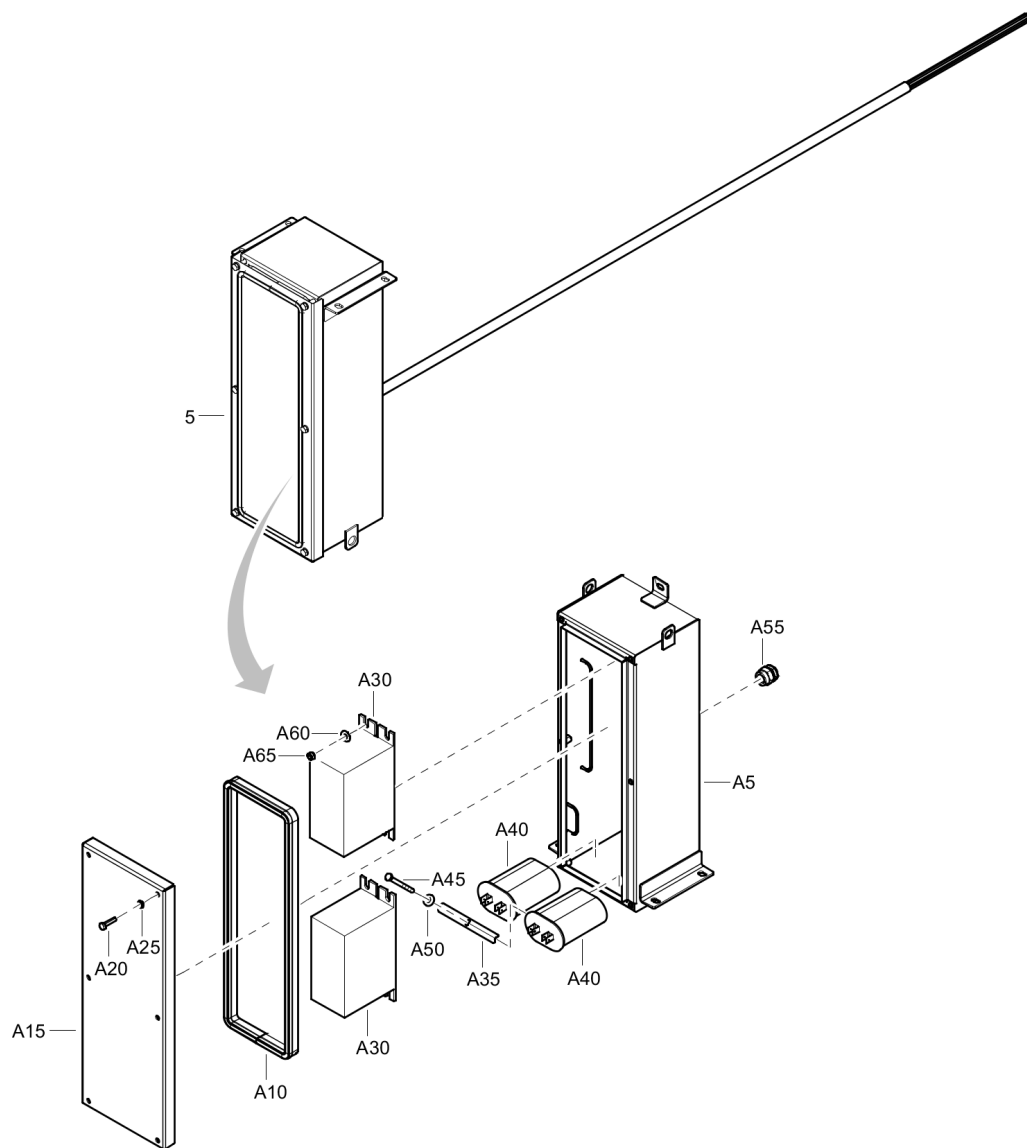
Mechanical 1094015980_00 Ballast box



Item	Part No.	Name	Qty	L
5	1094015900	Ballast and capacitor box	1	
10	1202658400	Seal	AR	
15	1094017000	Cover	1	
20	0147124903	Screw	6	
25	0300027473	Washer	6	
30	1092637300	Ballast	2	
35	1094016000	Capacitor holder	1	
40	1092635400	Capacitor lamp	2	
45	0147125803	Hexagon bolt	1	
50	0300027620	Washer DIN9021	1	
55	0698511300	Cable gland	1	
60	0300027464	Washer	8	
65	0291110800	Lock nut	8	

Refer to the Parts Online web page for most up-to-date information. The printed information might be outdated.

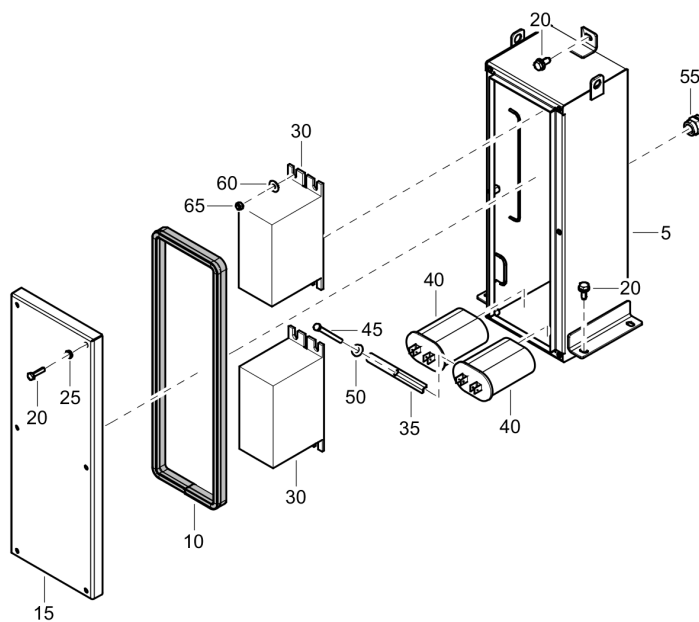
Mechanical 1094043100_00 Ballast box



Refer to the Parts Online web page for most up-to-date information. The printed information might be outdated.

Item	Part No.	Name	Qty	L
5	1094015980	Ballast box	2	
A5	1094015900	Ballast and capacitor box	2	
A10	1202658400	Seal	AR	
A15	1094017000	Cover	2	
A20	0147124903	Screw	12	
A25	0300027473	Washer	12	
A30	1092637300	Ballast	4	
A35	1094016000	Capacitor holder	2	
A40	1092635400	Capacitor lamp	4	
A45	0147125803	Hexagon bolt	2	
A50	0300027620	Washer DIN9021	2	
A55	0698511300	Cable gland	2	
A60	0300027464	Washer	16	
A65	0291110800	Lock nut	16	

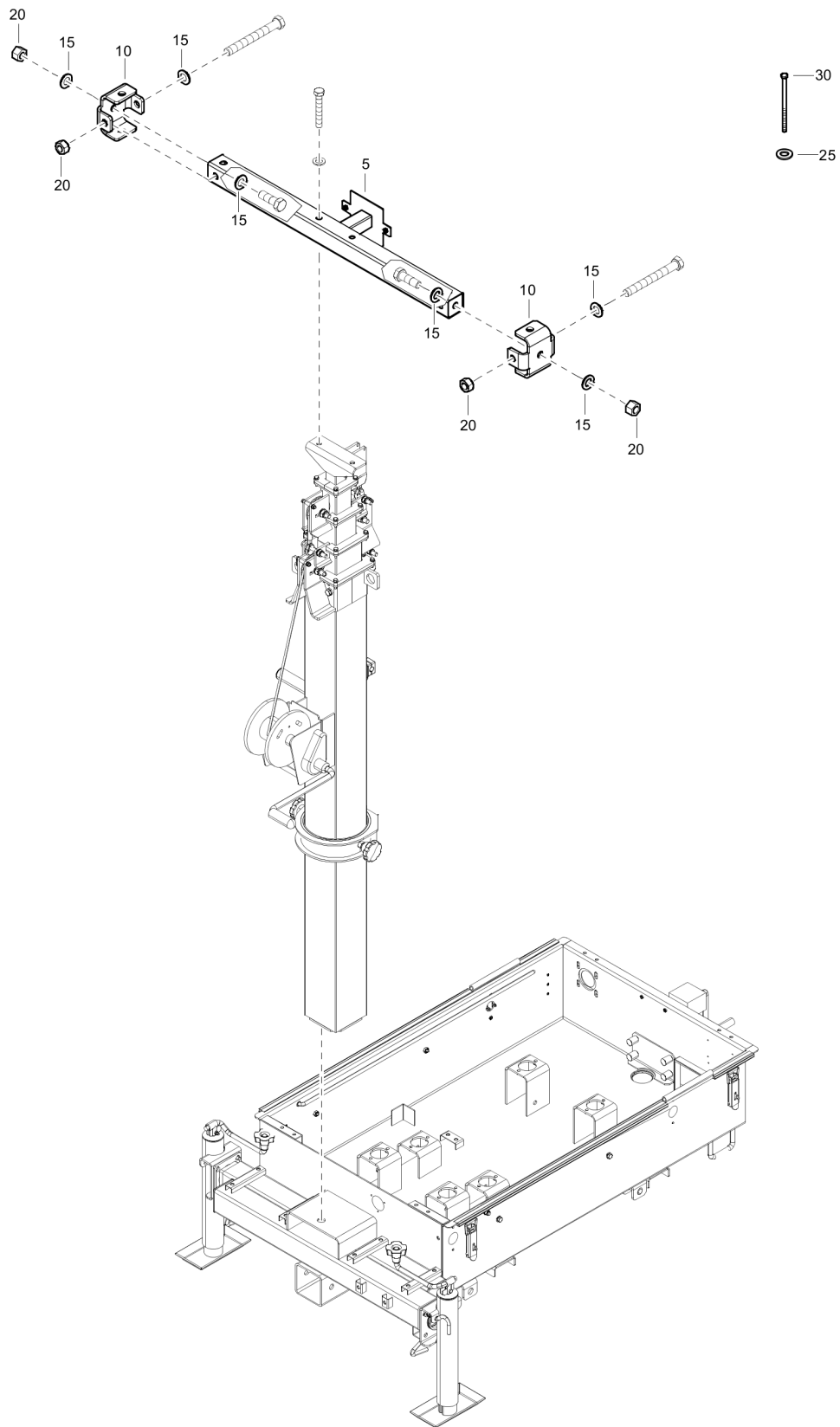
Mechanical 1094081880_00 Ballast box



Item	Part No.	Name	Qty	L
5	1094015900	Ballast and capacitor box	1	
10	1202658400	Seal	AR	
15	1094017000	Cover	1	
20	0147124903	Screw	6	
25	0300027473	Washer	6	
30	1092638300	Ballast	2	
35	1094016000	Capacitor holder	1	
40	1092717400	Capacitor lamp	2	
45	0147125803	Hexagon bolt	1	
50	0300027620	Washer DIN9021	1	
55	0698511300	Cable gland	1	
60	0300027464	Washer	8	
65	0291110800	Lock nut	8	

Refer to the Parts Online web page for most up-to-date information. The printed information might be outdated.

Mechanical 1094053280_01 Support

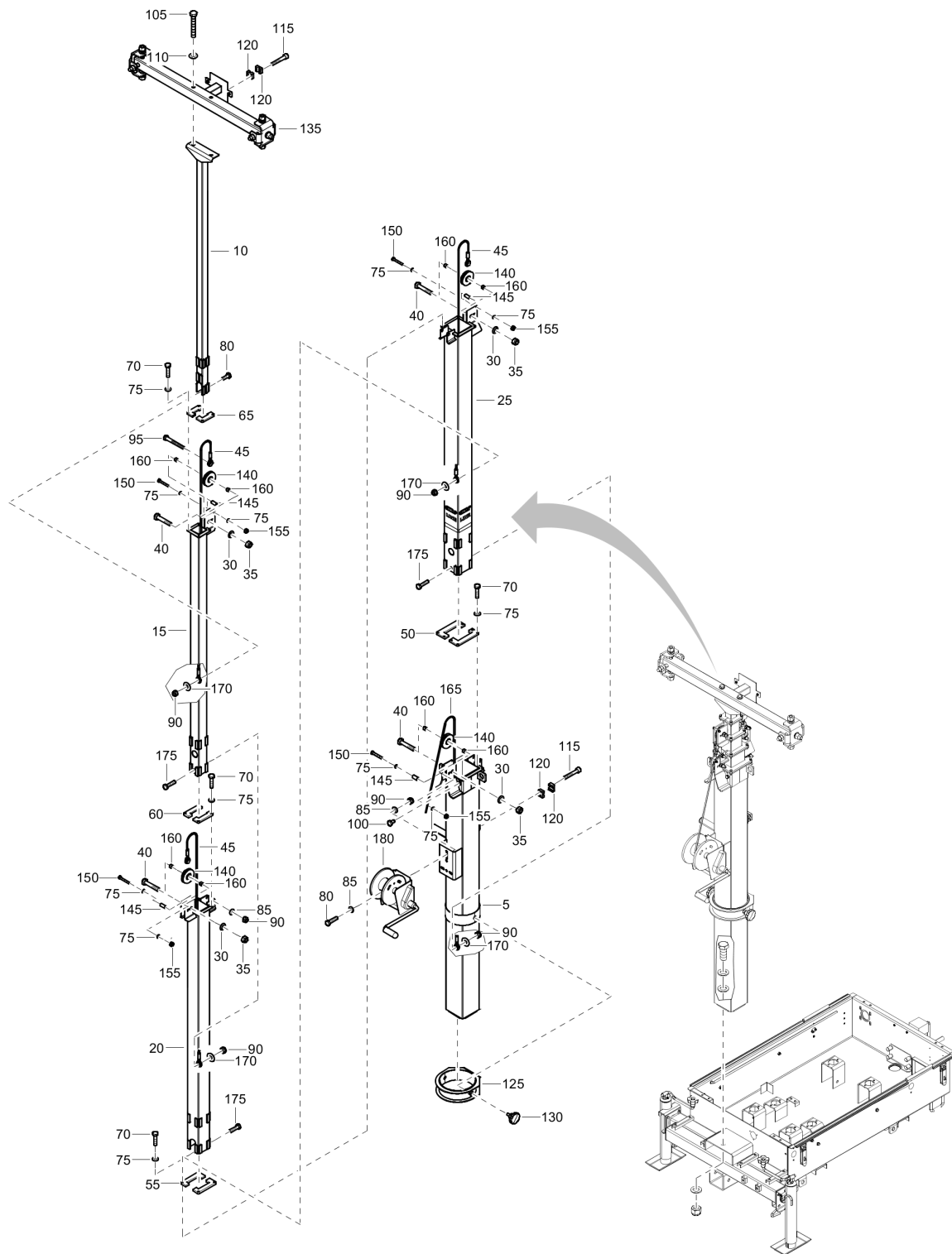


Refer to the Parts Online web page for most up-to-date information. The printed information might be outdated.

Item	Part No.	Name	Qty	L
5	1092899702	Support	1	
10	1094053200	Bracket lamp	2	
15	0301238600	Spring washer	12	
20	0291112836	Nut lock	6	
25	0301233500	Plain washer(a) 8.4 x 16 x 1.6	2	
30	0147134603	Hex. head screw	2	

Refer to the Parts Online web page for most up-to-date information. The printed information might be outdated.

Mechanical 1094164280_00 Mast assembly



Refer to the Parts Online web page for most up-to-date information. The printed information might be outdated.

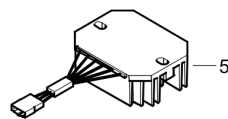
Item	Part No.	Name	Qty	L
5	1094011700	Mast	1	
10	1094011300	Mast	1	
15	1094011400	Mast	1	
20	1094011500	Mast	1	
25	1094011600	Mast	1	
30	0301235800	Washer	4	
35	0291111200	Nut DIN985	4	
40	0147140703	Hexagon bolt	4	
45	1092827900	Steel cable	3	
50	1094013300	Nylon pad	2	
55	1094013400	Nylon pad	2	
60	1094013500	Nylon pad	2	
65	1094013600	Nylon pad	2	
70	0147124903	Screw	20	
75	0301232100	Plain washer	28	
80	0147136203	Screw	4	
85	0301234400	Washer plain	9	
90	0291111100	Locknut	10	
95	0147137303	Hexagon bolt	3	
100	0147135903	Hexagon bolt	2	
105	0147145003	Screw DIN931	2	
110	0301237100	Washer DIN125	2	
115	0211125103	Hex sock. screw	4	
120	1094042000	Clamp	4	
125	1094011800	Mast	1	
130	1092637000	Handle tighten light tower	2	
135	1094053280	Support	1	
140	1094090380	Pulley assembly	4	
145	1094094300	Sleeve	4	
150	0147125303	Hex. head screw	4	
155	0291110800	Lock nut	4	
160	1094097500	Sleeve	8	
165	1092827800	Steel cable	1	
170	0300027417	Washer	4	
175	0147136403	Screw hexagon	3	

Refer to the Parts Online web page for most up-to-date information. The printed information might be outdated.

Item	Part No.	Name	Qty	L
180	1092871500	Winch	1	

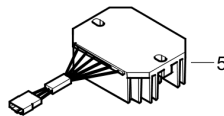
This page intentionally left blank

Engine 1092838800_01 Engine



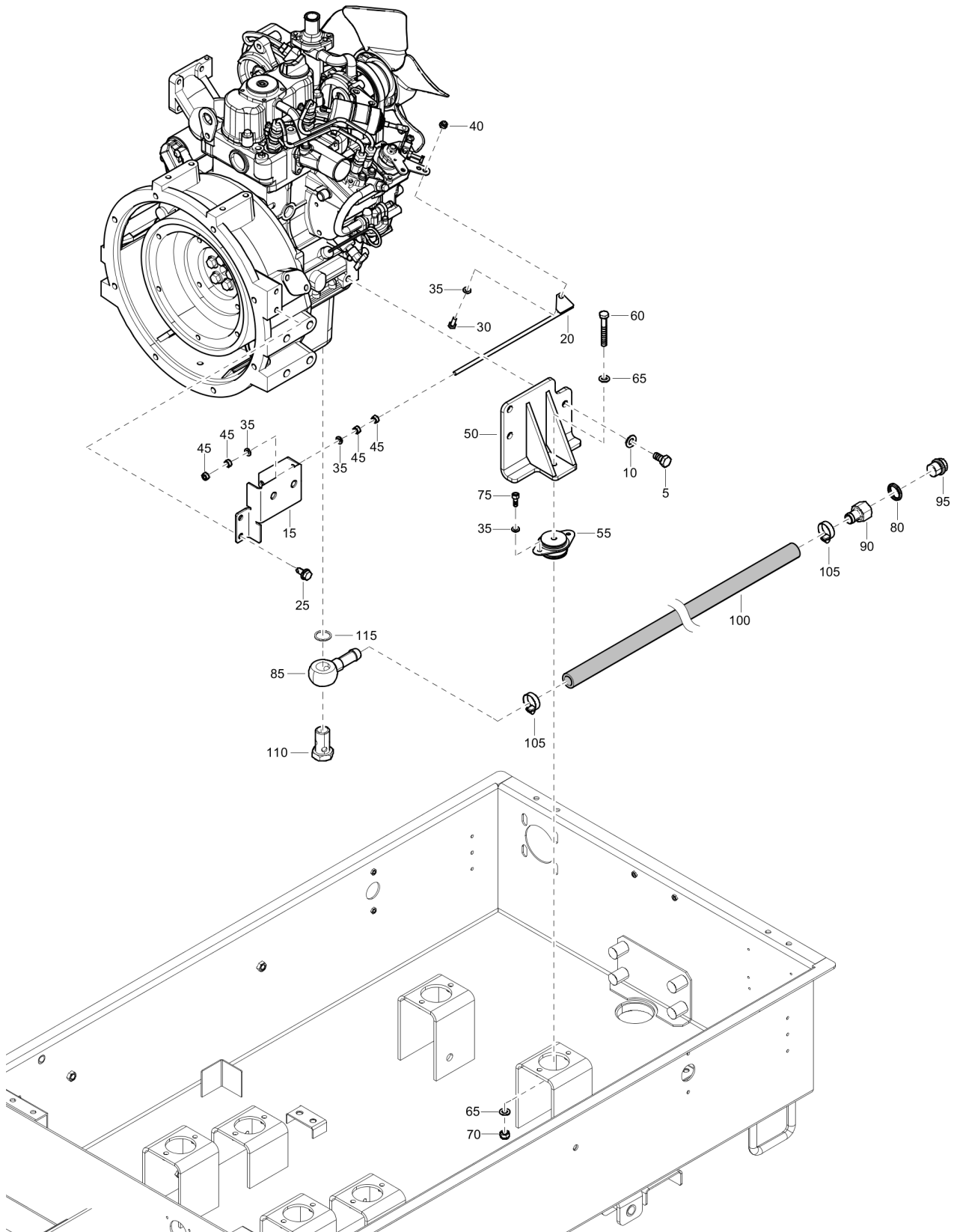
Item	Part No.	Name	Qty	L
5	1092857800	Regulator	1	

Engine 1092858800_01 Engine



Item	Part No.	Name	Qty	L
5	1092857800	Regulator	1	

Engine 1625096600_01 Engine

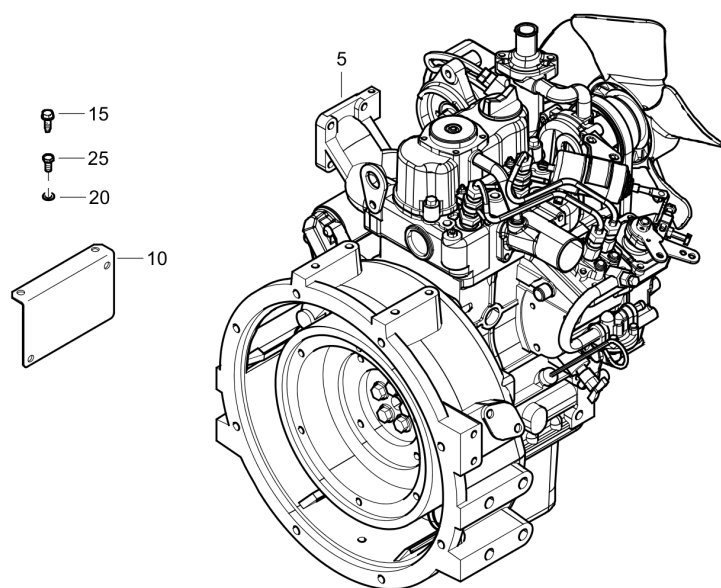


Refer to the Parts Online web page for most up-to-date information. The printed information might be outdated.

Item	Part No.	Name	Qty	L
5	0147195945	Hex. head screw	6	
10	0301234400	Washer plain	6	
15	1094028401	Support	1	
20	1094028200	Speed adjusting bar	1	
25	1619276600	Scr.bolt m8x20	3	
30	0147125003	Bolt	1	
35	0301232100	Plain washer	7	
40	0291110800	Lock nut	1	
45	0266210800	Nut	4	
50	1092844601	Support engine	2	
55	1604211600	Anti-vibration pad	2	
60	0147133103	Hexagon bolt	2	
65	0301233500	Plain washer(a) 8.4 x 16 x 1.6	4	
70	0291111000	Locknut	2	
75	0211124603	Screw	4	
80	0661103300	Sealing washer	1	
85	0571005007	Banjo nipple	1	
90	1094067100	Nipple	1	
95	0686371602	Cap	1	
100	0072840316	Hose	AR	
105	0347610600	Hose clamp	2	
110	0627421700	Pressure screw	1	
115	0653112800	Flat gasket	2	

Refer to the Parts Online web page for most up-to-date information. The printed information might be outdated.

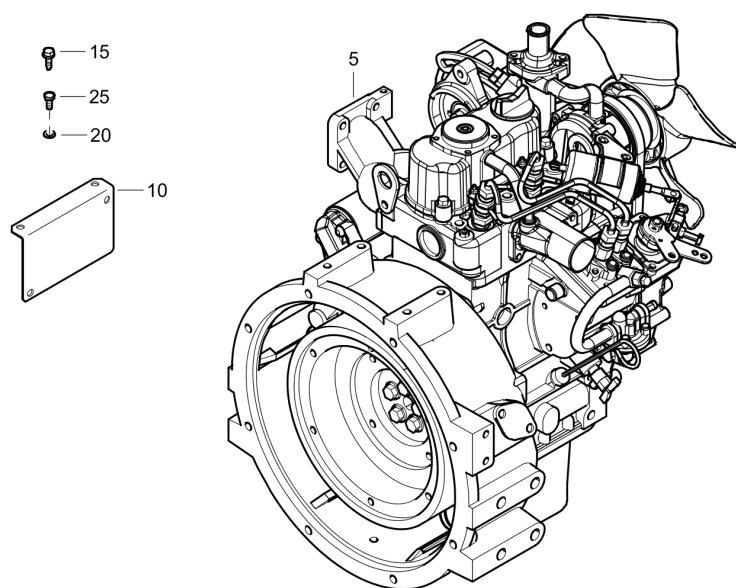
Engine 1625054314_02 Engine



Item	Part No.	Name	Qty	L
5	1094188800	Engine	1	
10	1094140061	Ecu support	1	
15	1619589801	Screw DIN6900	2	
20	0301232100	Plain washer	2	
25	0147125303	Hex. head screw	2	

Refer to the Parts Online web page for most up-to-date information. The printed information might be outdated.

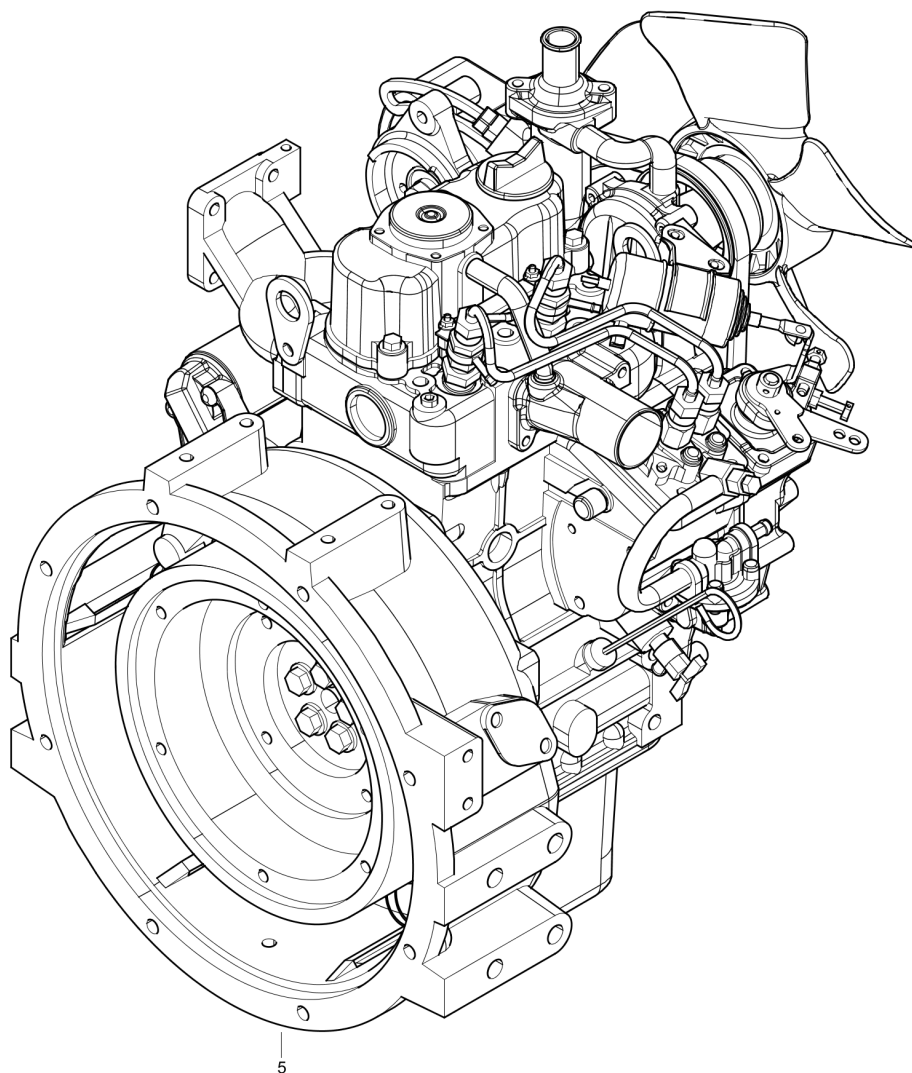
Engine 1625054348_02 Engine



Item	Part No.	Name	Qty	L
5	1094199900	Engine	1	
10	1094140061	Ecu support	1	
15	1619589801	Screw DIN6900	2	
20	0301232100	Plain washer	2	
25	0147125303	Hex. head screw	2	

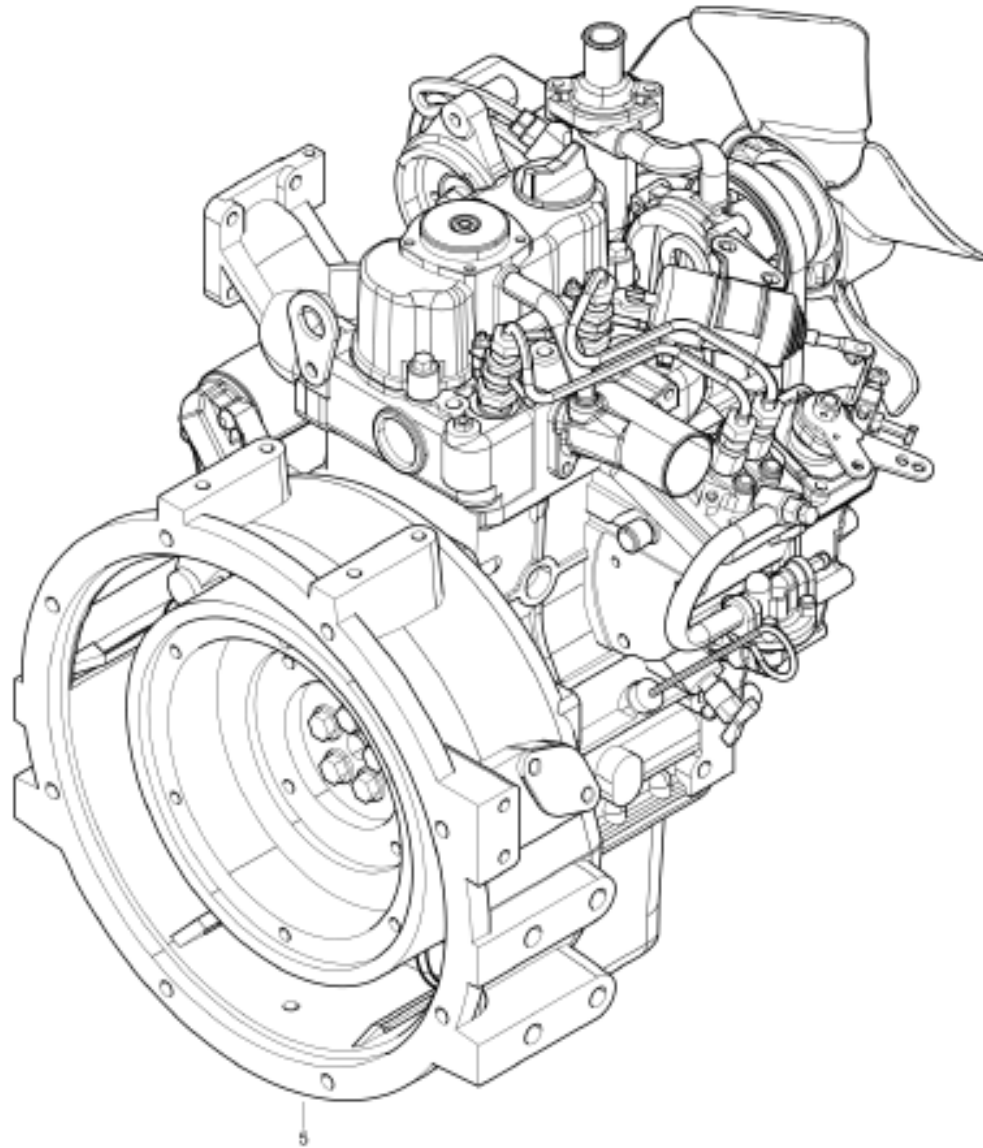
Refer to the Parts Online web page for most up-to-date information. The printed information might be outdated.

Engine 1625054269_00 Engine



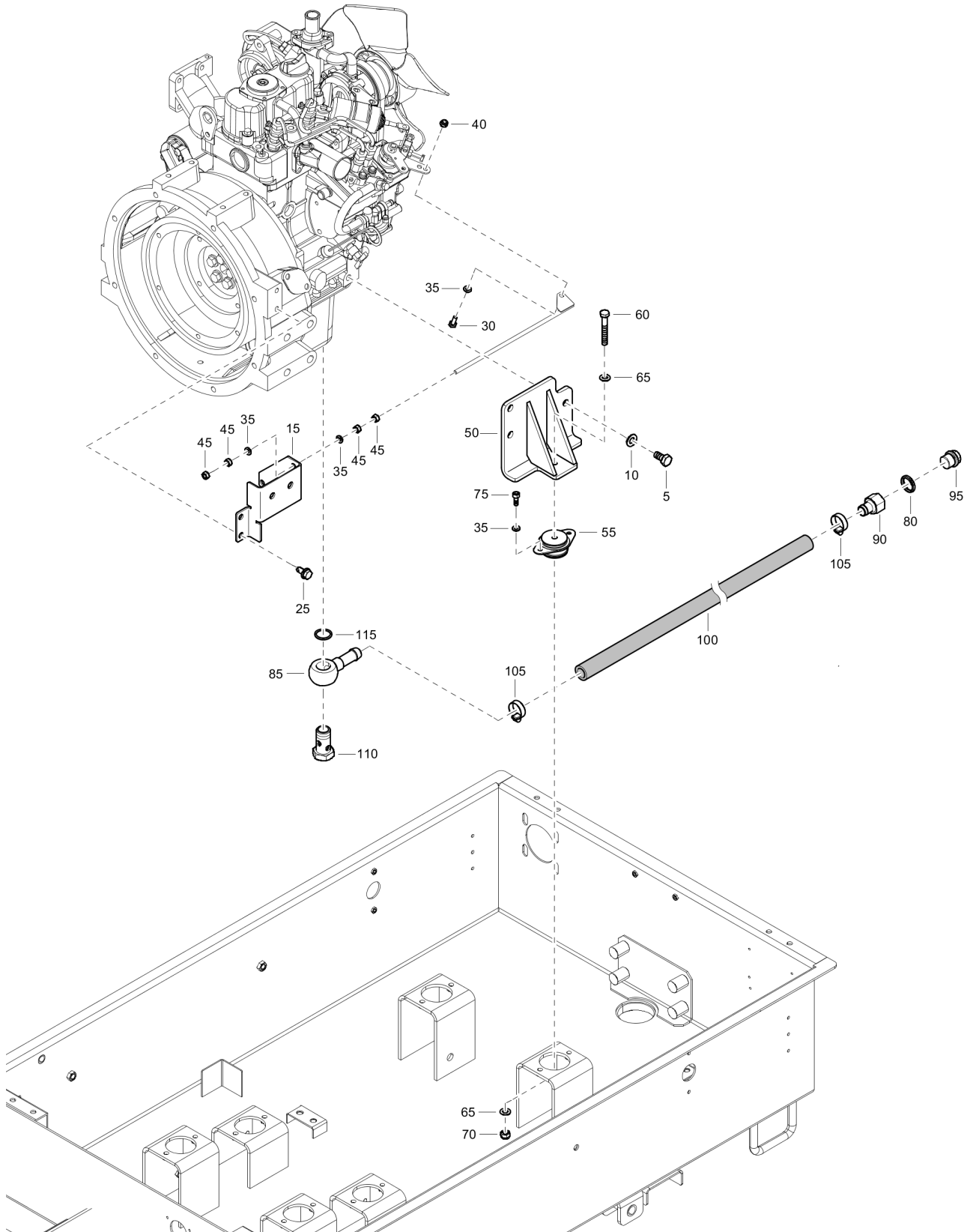
Item	Part No.	Name	Qty	L
5	1092838800	Engine	1	

Engine 1625091730_00 Engine



Item	Part No.	Name	Qty	L
5	1092858800	Engine	1	

Engine 1625054260_04 Engine accessory

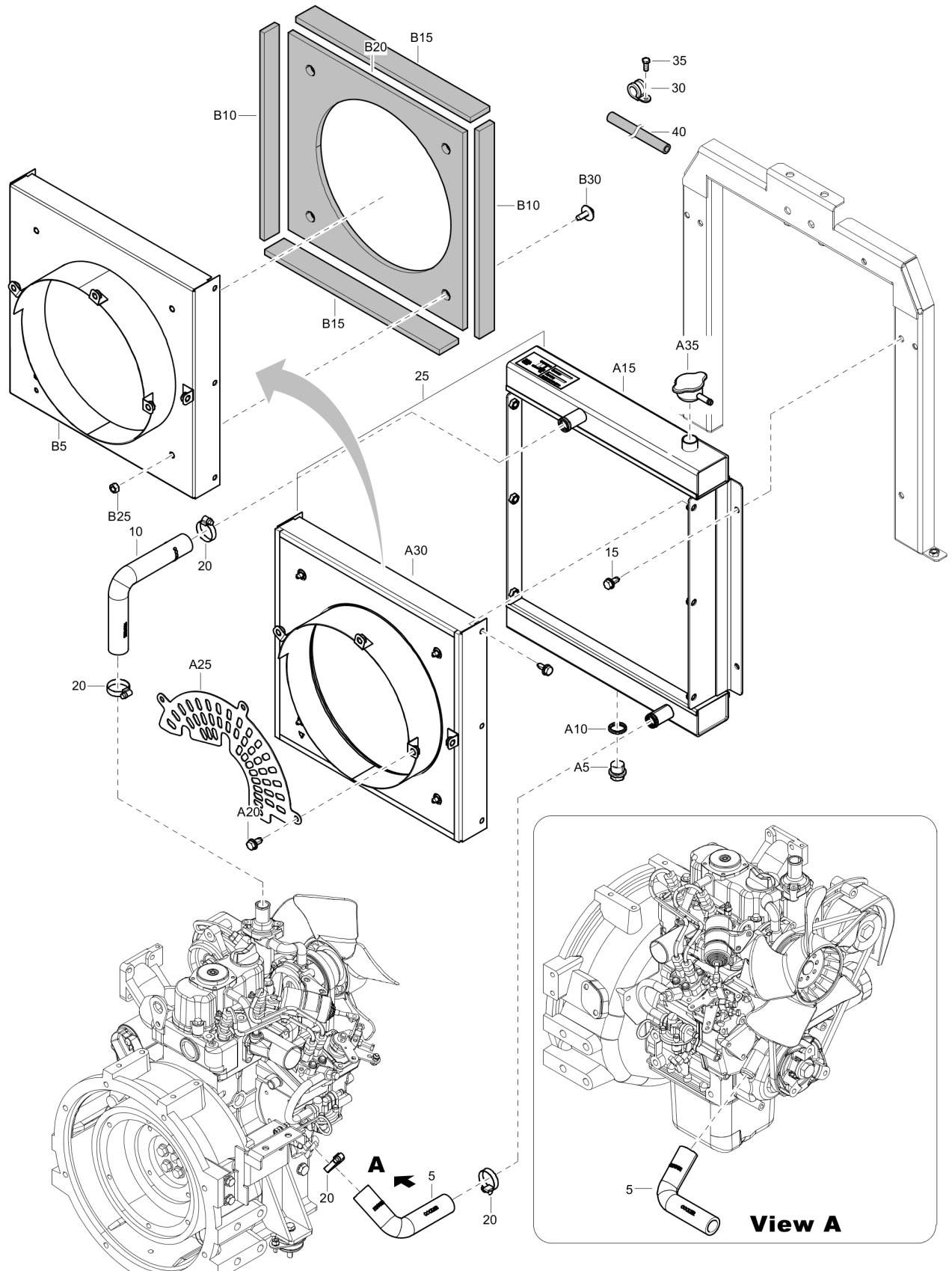


Refer to the Parts Online web page for most up-to-date information. The printed information might be outdated.

Item	Part No.	Name	Qty	L
5	0147195945	Hex. head screw	6	
10	0301234400	Washer plain	6	
15	1094028401	Support	1	
25	1619276600	Scr.bolt m8x20	3	
30	0147125003	Bolt	1	
35	0301232100	Plain washer	7	
40	0291110800	Lock nut	1	
45	0266210800	Nut	4	
50	1092844601	Support engine	2	
55	1094073100	Buffer light tower	2	
60	0147133103	Hexagon bolt	2	
65	0301233500	Plain washer(a) 8.4 x 16 x 1.6	4	
70	0291111000	Locknut	2	
75	0211124603	Screw	4	
80	0661103300	Sealing washer	1	
85	0571005007	Banjo nipple	1	
90	1094067100	Nipple	1	
95	0686371602	Cap	1	
100	0072840316	Hose	AR	
105	0347610600	Hose clamp	2	
110	0627421700	Pressure screw	1	
115	0653112800	Flat gasket	2	

Refer to the Parts Online web page for most up-to-date information. The printed information might be outdated.

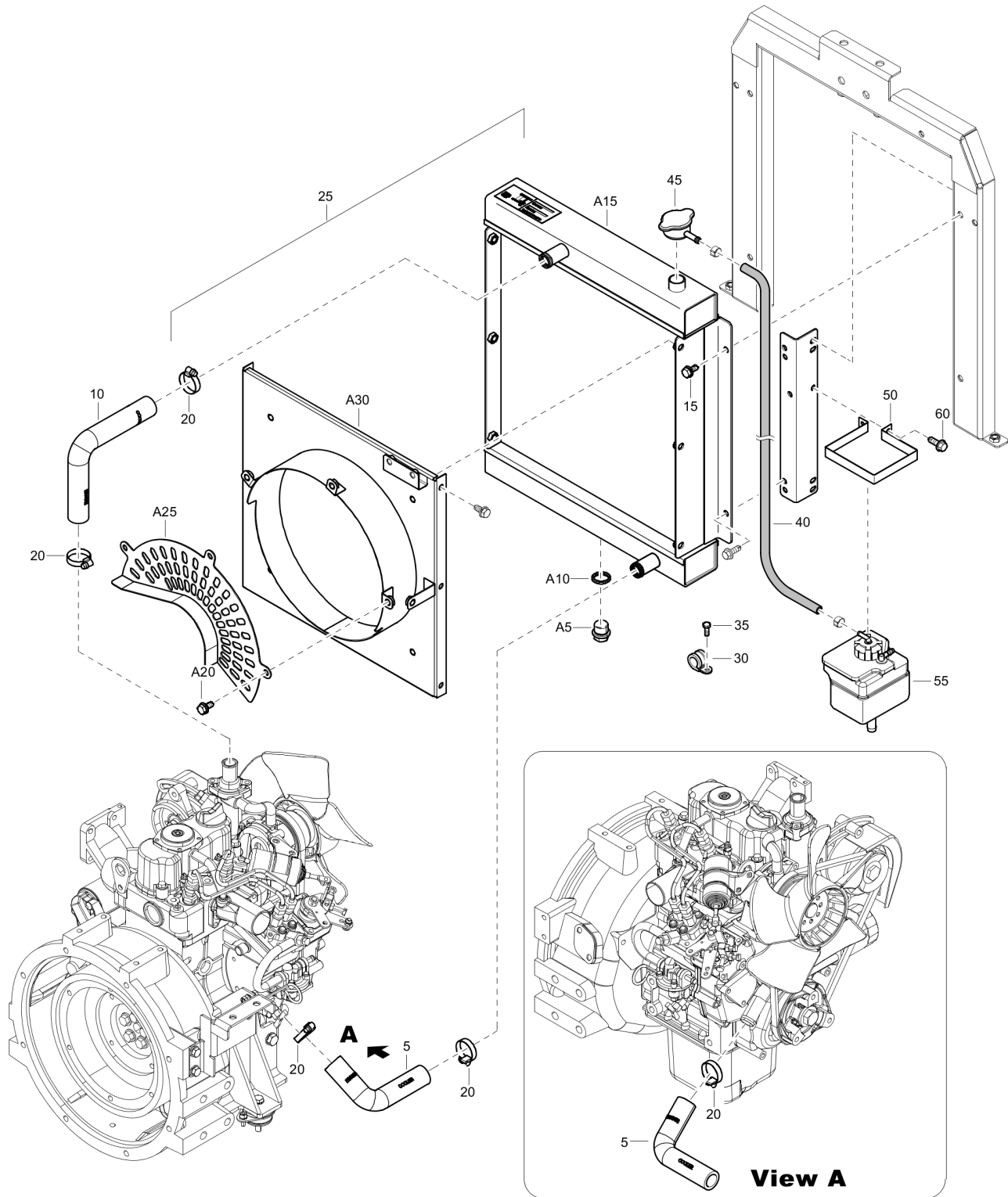
Engine 1625091306_02 Cooling system



Refer to the Parts Online web page for most up-to-date information. The printed information might be outdated.

Item	Part No.	Name	Qty	L
5	1092851200	Hose lower	1	
10	1092851400	Hose upper	1	
15	1619276600	Scr.bolt m8x20	4	
20	0347610700	Clamp 20-32	4	
25	1092851180	Cooler assembly	1	
A5	0686371602	Cap	1	
A10	0661103300	Sealing washer	1	
A15	1092851101	Cooler	1	
A20	1619276600	Scr.bolt m8x20	9	
A25	1094021000	Plate	1	
A30	1092851582	Fan cowl	1	
B5	1092851502	Cowl	1	
B10	1092851561	Insulation foam	2	
B15	1092851562	Foam	2	
B20	1092851563	Foam	1	
B25	0266111000	Nut	4	
B30	1615566400	Hex. head screw	4	
A35	1094190003	Pressure cap 0.9bar	1	
30	0346100203	Clamp	1	
35	0147124603	Hexagon bolt	1	
40	0075402599	Hose	0.8	

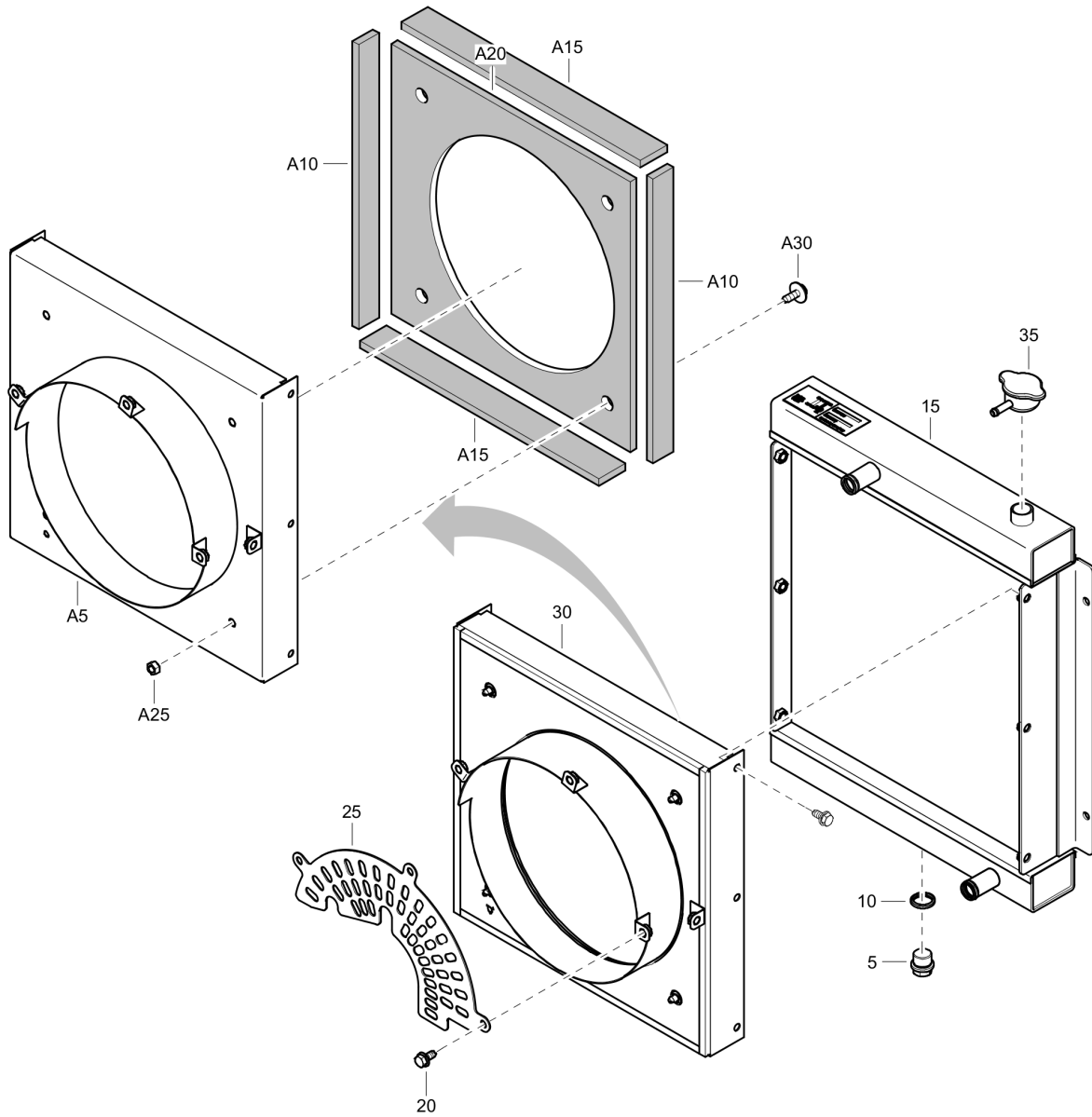
Engine 1625054259_03 Cooling system



Refer to the Parts Online web page for most up-to-date information. The printed information might be outdated.

Item	Part No.	Name	Qty	L
5	1092851200	Hose lower	1	
10	1092851400	Hose upper	1	
15	1619276600	Scr.bolt m8x20	4	
20	0347610700	Clamp 20-32	4	
25	1094164480	Cooler assembly	1	
A5	0686371602	Cap	1	
A10	0661103300	Sealing washer	1	
A15	1092851101	Cooler	1	
A20	1619276600	Scr.bolt m8x20	9	
A25	1094021028	Fan guard	1	
A30	1092851528	Fan cowl	1	
30	0346100203	Clamp	1	
35	0147124603	Hexagon bolt	1	
40	1092848300	Fuel hose	AR	
45	1094190003	Pressure cap 0.9bar	1	
50	1092637200	Bracket overflow tank	1	
55	1092639680	Overflow tank	1	
60	1619276600	Scr.bolt m8x20	2	

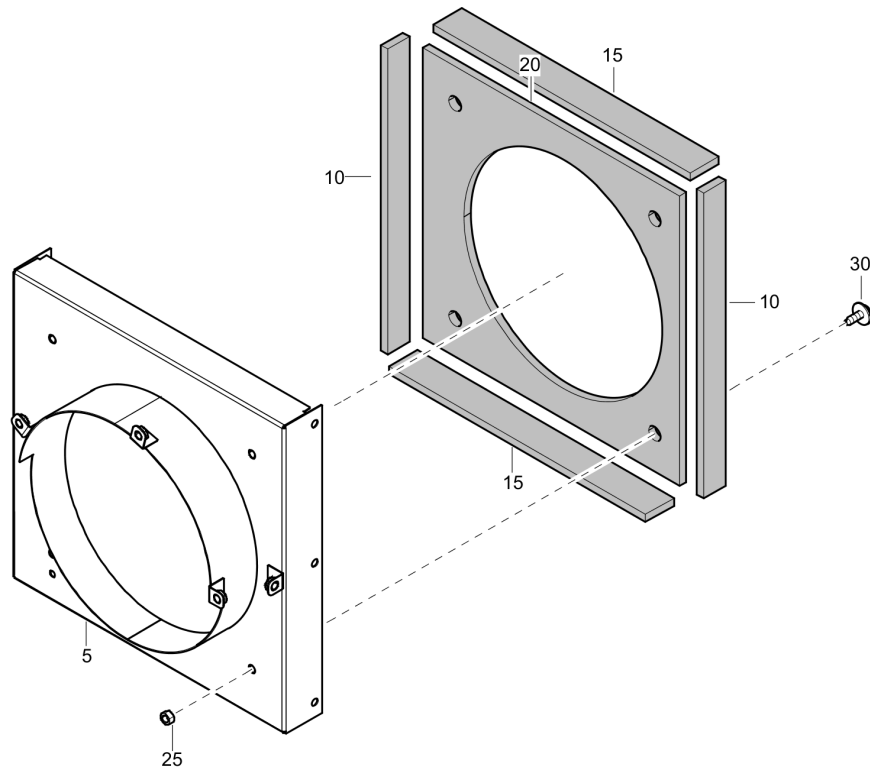
Engine 1092851180_02 Cooler assembly



Refer to the Parts Online web page for most up-to-date information. The printed information might be outdated.

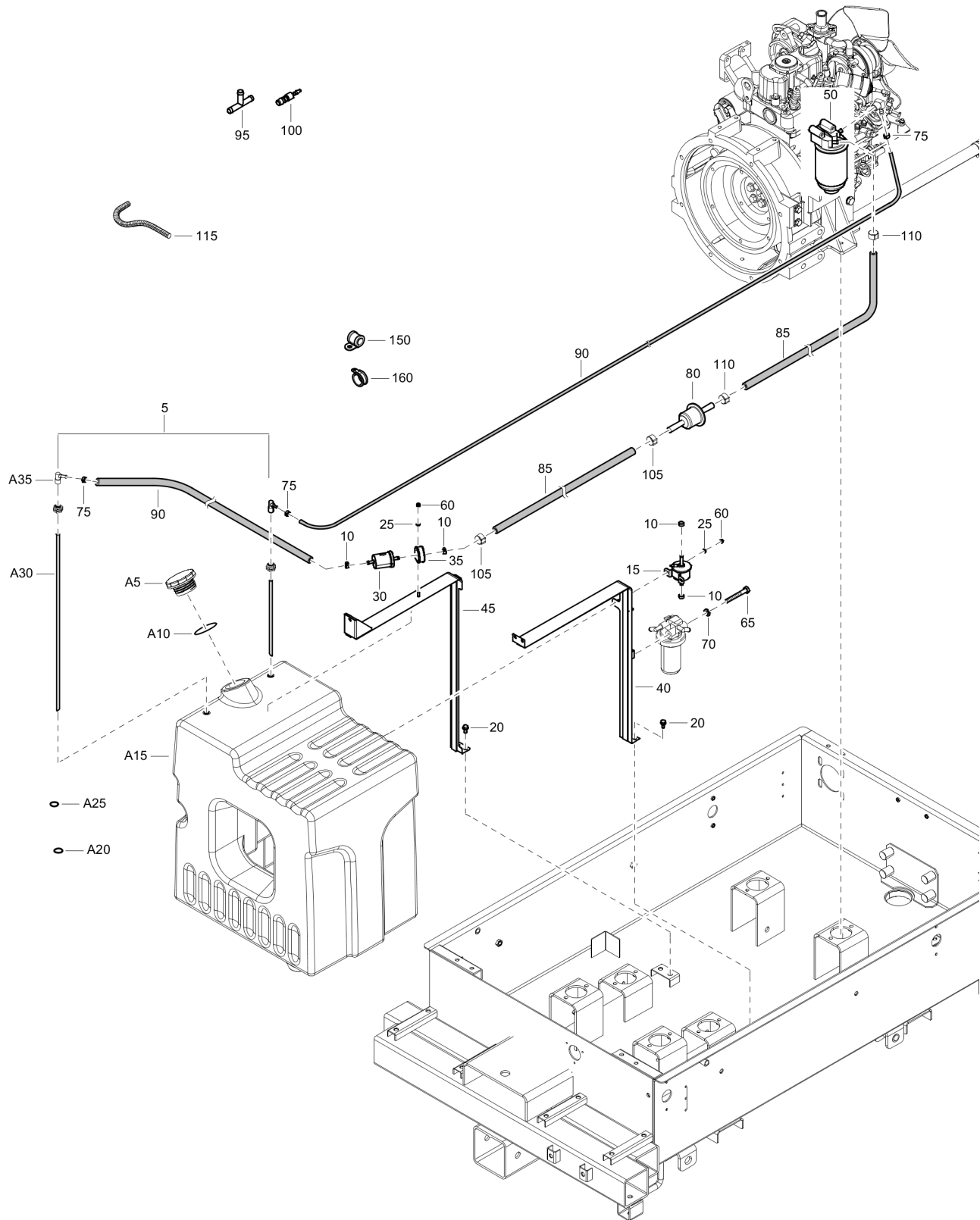
Item	Part No.	Name	Qty	L
5	0686371602	Cap	1	
10	0661103300	Sealing washer	1	
15	1092851101	Cooler	1	
20	1619276600	Scr.bolt m8x20	9	
25	1094021001	Fan guard	1	
30	1092851582	Fan cowl	1	
A5	1092851502	Cowl	1	
A10	-	Insulation foam	2	
A15	-	Insulation silencing foam	2	
A20	-	Insulation silencing foam	1	
A25	0266111000	Nut	4	
A30	1615566400	Hex. head screw	4	
35	1094190003	Pressure cap 0.9bar	1	

Engine 1092851582_01 Fan cowl



Item	Part No.	Name	Qty	L
5	1092851502	Cowl	1	
10	-	Insulation foam	2	
15	-	Insulation silencing foam	2	
20	-	Insulation silencing foam	1	
25	0266111000	Nut	4	
30	1615566400	Hex. head screw	4	

Engine 1625091754_09 Fuel system

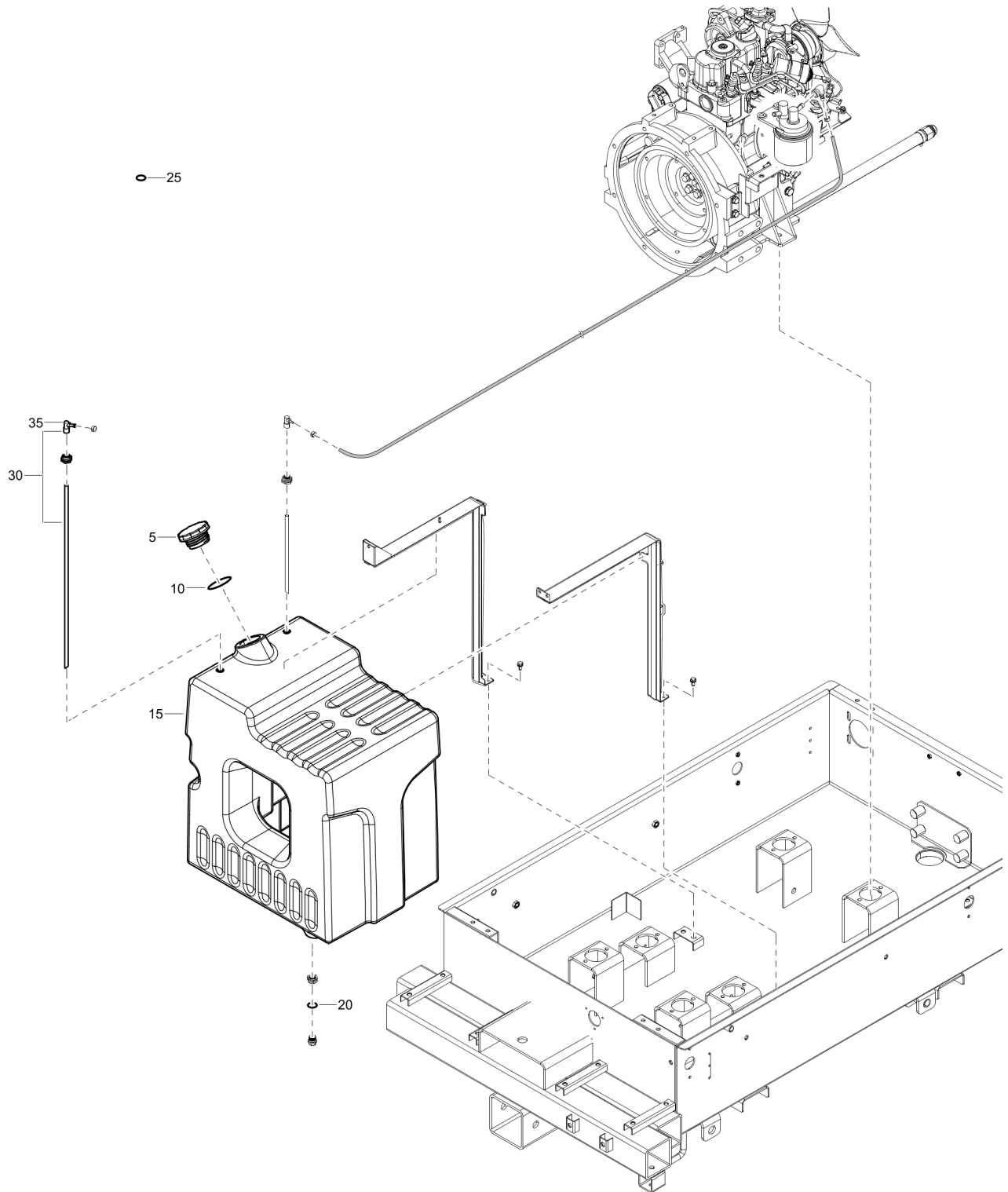


Refer to the Parts Online web page for most up-to-date information. The printed information might be outdated.

Item	Part No.	Name	Qty	L
5	1092852180	Fuel tank assembly	1	
A5	1092628639	Cap	1	
A10	1092628638	O-ring	1	
A15	1092852100	Fuel tank	1	
A20	1092628637	O-ring	1	
A25	1092628638	O-ring	1	
A30	1092852135	Pipe	1	
A35	1092628640	Nipple	1	
10	1092868800	Fuel hose clip	7	
15	1094066600	Electrical fuel pump	1	
20	1619276600	Scr.bolt m8x20	7	
25	0301232100	Plain washer	3	
30	1094086600	Pre-filter	1	
35	0346100007	Hose clamp	1	
40	1094106701	Strip	1	
45	1094106901	Strip	1	
50	1092049832	Fuel filter assembly	1	
60	0291110800	Lock nut	3	
65	0147136303	Bolt	2	
70	0301234400	Washer plain	2	
75	1605102400	Hose clamp	4	
80	1092638800	Stop valve	1	
85	1092848300	Fuel hose	AR	
90	1092366100	Fuel hose	AR	
95	1094164700	Tee joint DIA 8 x 3	2	
100	1092739700	Hose nipple	2	
105	1092640100	Hose clip (engine)	2	
110	1604413700	Hose clip	8	
115	0070402236	Conduit	AR	
150	1613080100	Pipe clamp	2	
160	1613080107	Pipe clamp	2	

Refer to the Parts Online web page for most up-to-date information. The printed information might be outdated.

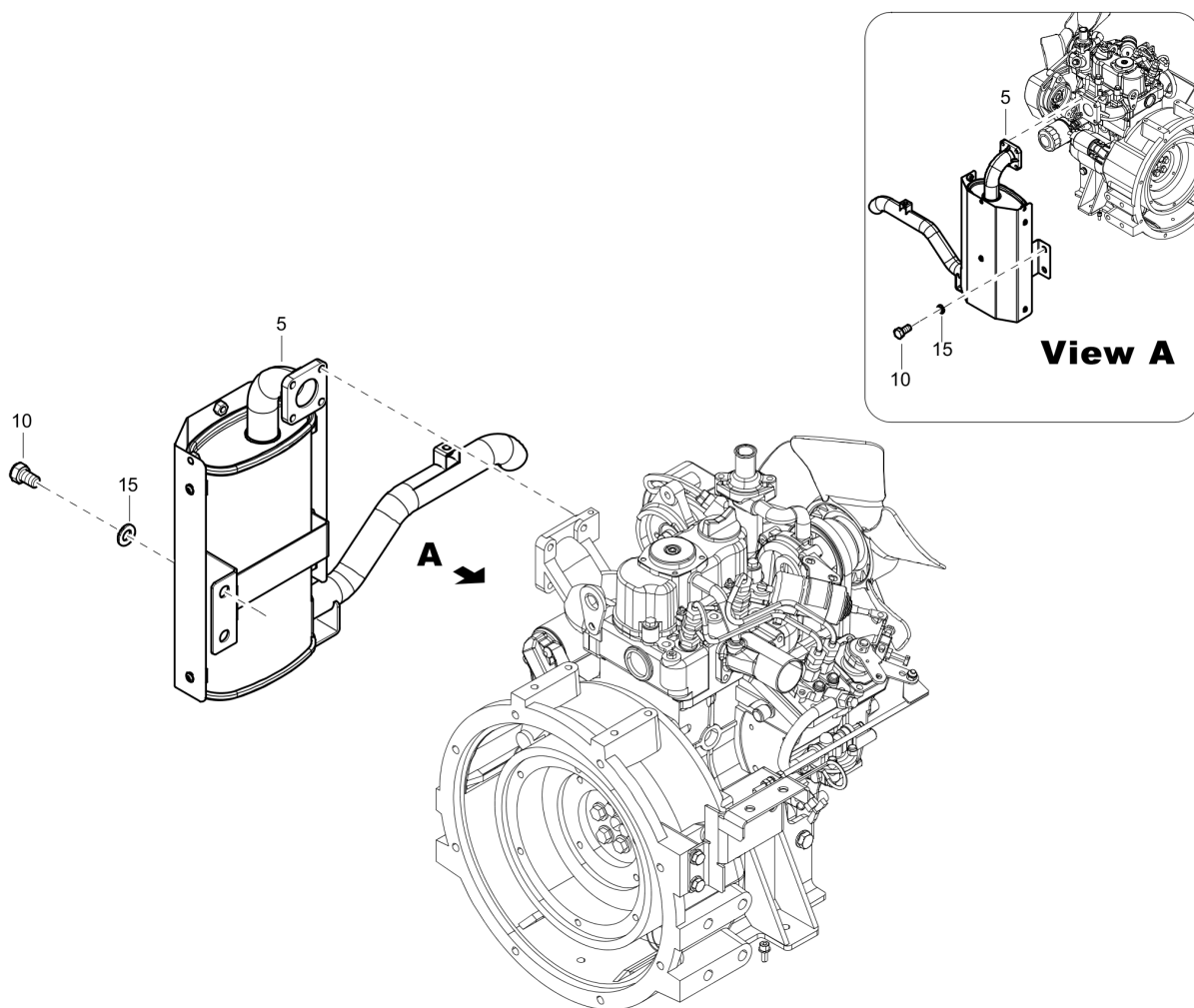
Engine 1092852180_00 Fuel tank assembly



Refer to the Parts Online web page for most up-to-date information. The printed information might be outdated.

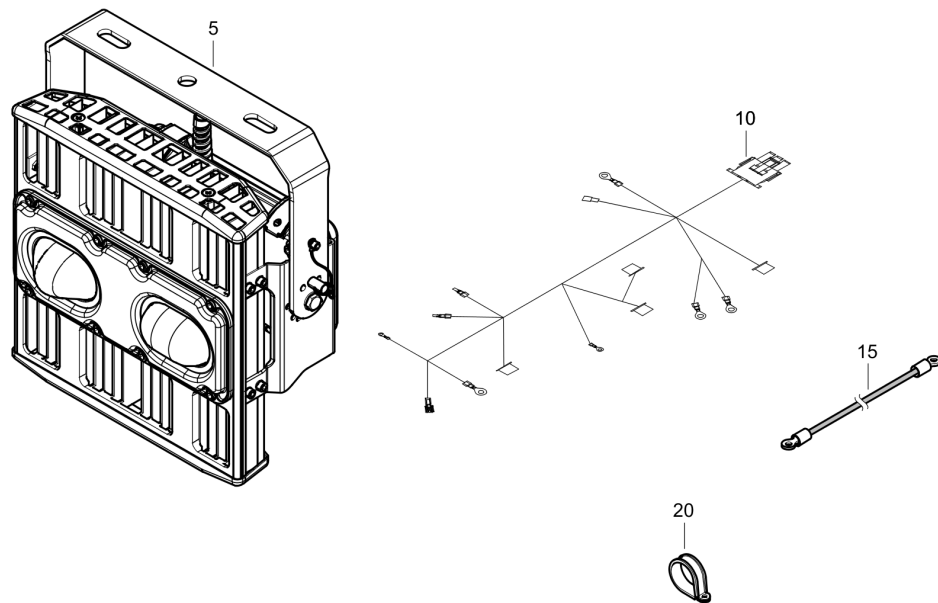
Item	Part No.	Name	Qty	L
5	1092628639	Cap	1	
10	1092628638	O-ring	1	
15	1092852100	Fuel tank	1	
20	1092628637	O-ring	1	
25	1092628638	O-ring	1	
30	1092852135	Pipe	1	
35	1092628640	Nipple	1	

Engine 1625091222_03 Exhaust system



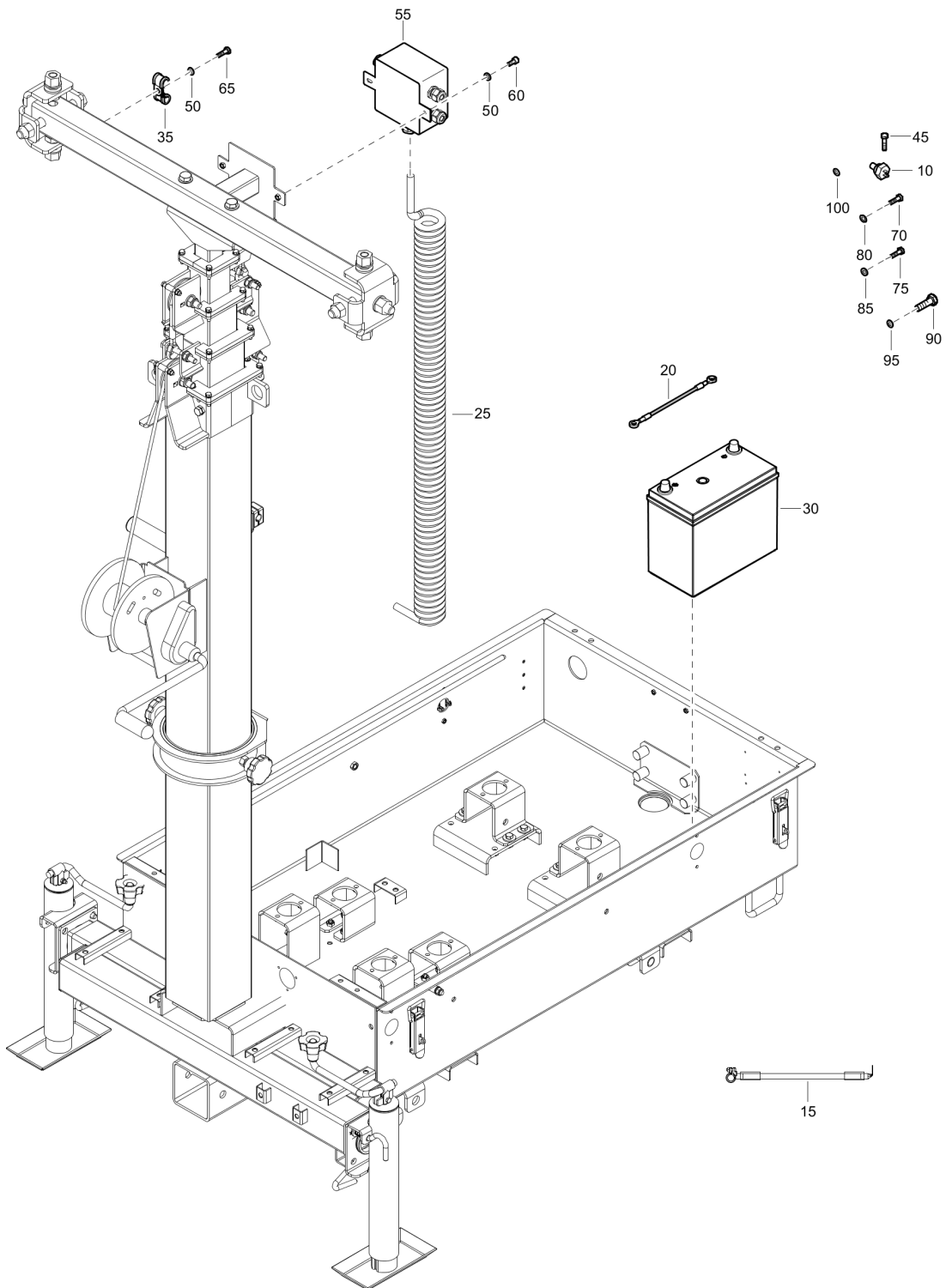
Item	Part No.	Name	Qty	L
5	1092850604	Muffler	1	
10	0144336003	Screw DIN933	2	
15	0301235800	Washer	2	

Electric system 1625054263_05 Electrical system



Item	Part No.	Name	Qty	L
5	1636011864	Lamp assembly	4	
10	1094132300	Wire harness	1	
15	1094173200	Pe cable	1	
20	0346101244	Clamp	2	

Electric system 1625054268_03 Electrical system

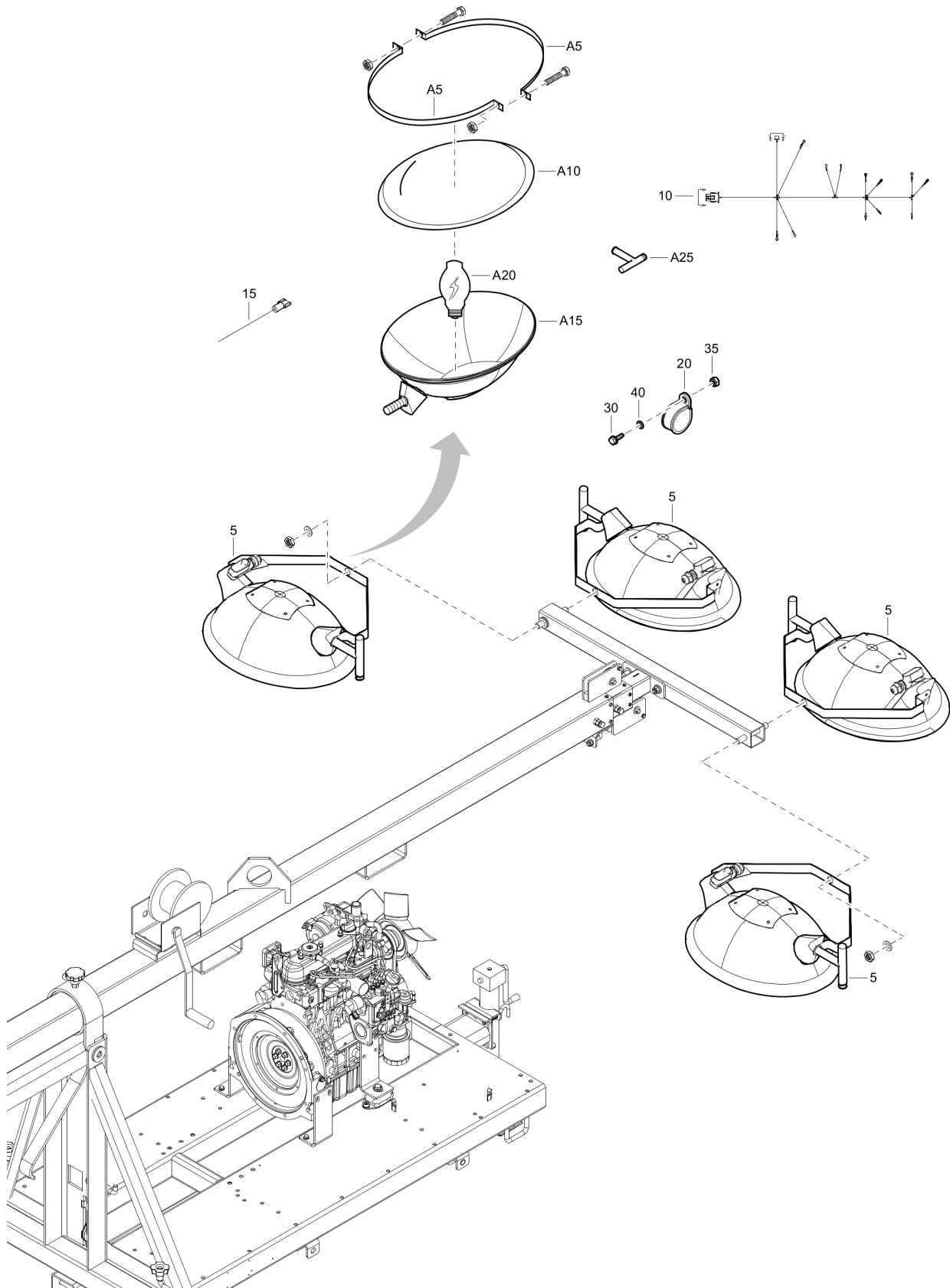


Refer to the Parts Online web page for most up-to-date information. The printed information might be outdated.

Item	Part No.	Name	Qty	L
10	1092643801	Water temperature switch	1	
15	1094055400	Cable	1	
20	1094149600	cable	1	
25	1092872301	Coil cord	1	
30	1092852000	Battery	1	
35	0346100024	Clamp	4	
45	0147124803	Hexagon bolt	2	
50	0301232100	Plain washer	5	
55	1092641200	Junction box	1	
60	0211124603	Screw	2	
65	0147124703	Screw	1	
70	0144336303	Hex. head screw	1	
75	0147139703	Hexagon bolt	1	
80	0301235800	Washer	2	
85	1088001903	Contact washer	2	
90	0147195945	Hex. head screw	1	
95	0301234400	Washer plain	1	
100	1088001902	Contact	1	

Refer to the Parts Online web page for most up-to-date information. The printed information might be outdated.

Electric system 1625054266_03 Electrical system

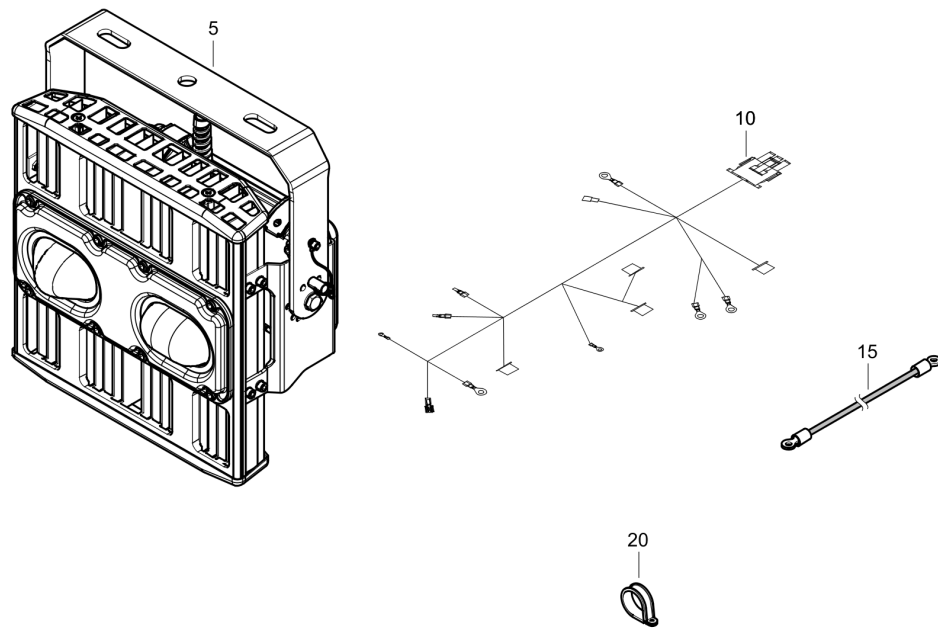


Refer to the Parts Online web page for most up-to-date information. The printed information might be outdated.

Item	Part No.	Name	Qty	L
5	1092629700	Lamp	4	
A5	1092683400	Flange ring	8	
A10	1092683500	Cover and gasket	4	
A15	1092683600	U-bracket	4	
A20	1092805900	Lamp Bulb	16	
A25	1310072612	T-handle	4	
10	1094055600	Harness	1	
15	1094301000	Cable capacitor	1	
20	1613080104	Pipe clamp	2	
30	1619589801	Screw DIN6900	2	
35	0291110800	Lock nut	2	
40	0301232100	Plain washer	2	

Refer to the Parts Online web page for most up-to-date information. The printed information might be outdated.

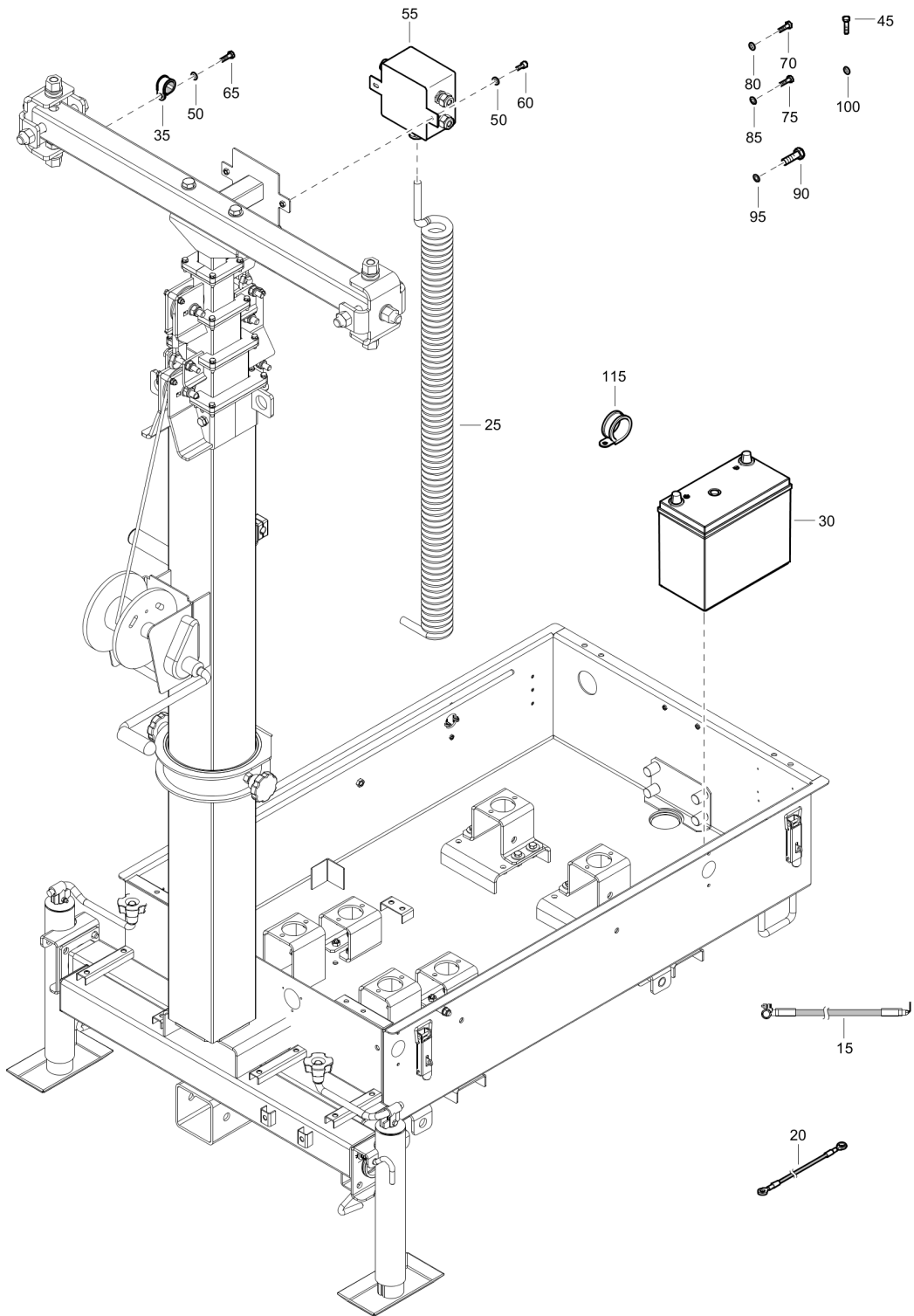
Electric system 1625054350_04 Electrical system



Item	Part No.	Name	Qty	L
5	1636011864	Lamp assembly	4	
10	1094132300	Wire harness	1	
15	1094173200	Pe cable	1	
20	0346100007	Hose clamp	2	

Refer to the Parts Online web page for most up-to-date information. The printed information might be outdated.

Electric system 1625091770_04 Electrical system

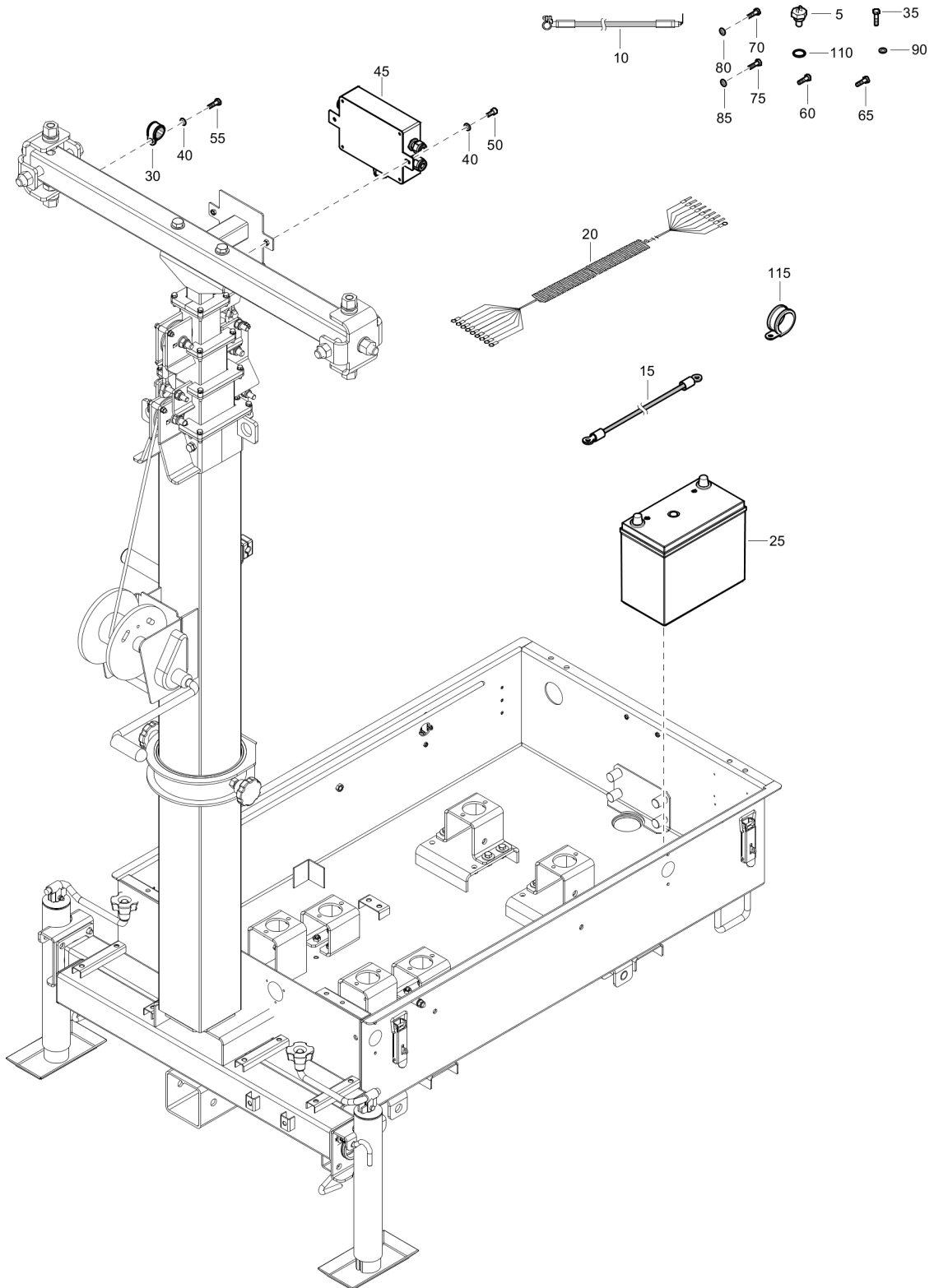


Refer to the Parts Online web page for most up-to-date information. The printed information might be outdated.

Item	Part No.	Name	Qty	L
15	1094194400	Battery cable	1	
20	1094149600	cable	1	
25	1092872301	Coil cord	1	
30	1092852000	Battery	1	
35	1613080105	Pipe clamp	4	
45	0147124803	Hexagon bolt	2	
50	0301232100	Plain washer	5	
55	1092641200	Junction box	1	
60	0211124603	Screw	2	
65	0147124703	Screw	1	
70	0144336303	Hex. head screw	1	
75	0147139703	Hexagon bolt	1	
80	0301235800	Washer	2	
85	1088001903	Contact washer	2	
90	0147195945	Hex. head screw	1	
95	0301234400	Washer plain	1	
100	1088001902	Contact	1	
115	0346100007	Hose clamp	1	

Refer to the Parts Online web page for most up-to-date information. The printed information might be outdated.

Electric system 1625091783_05 Electrical system

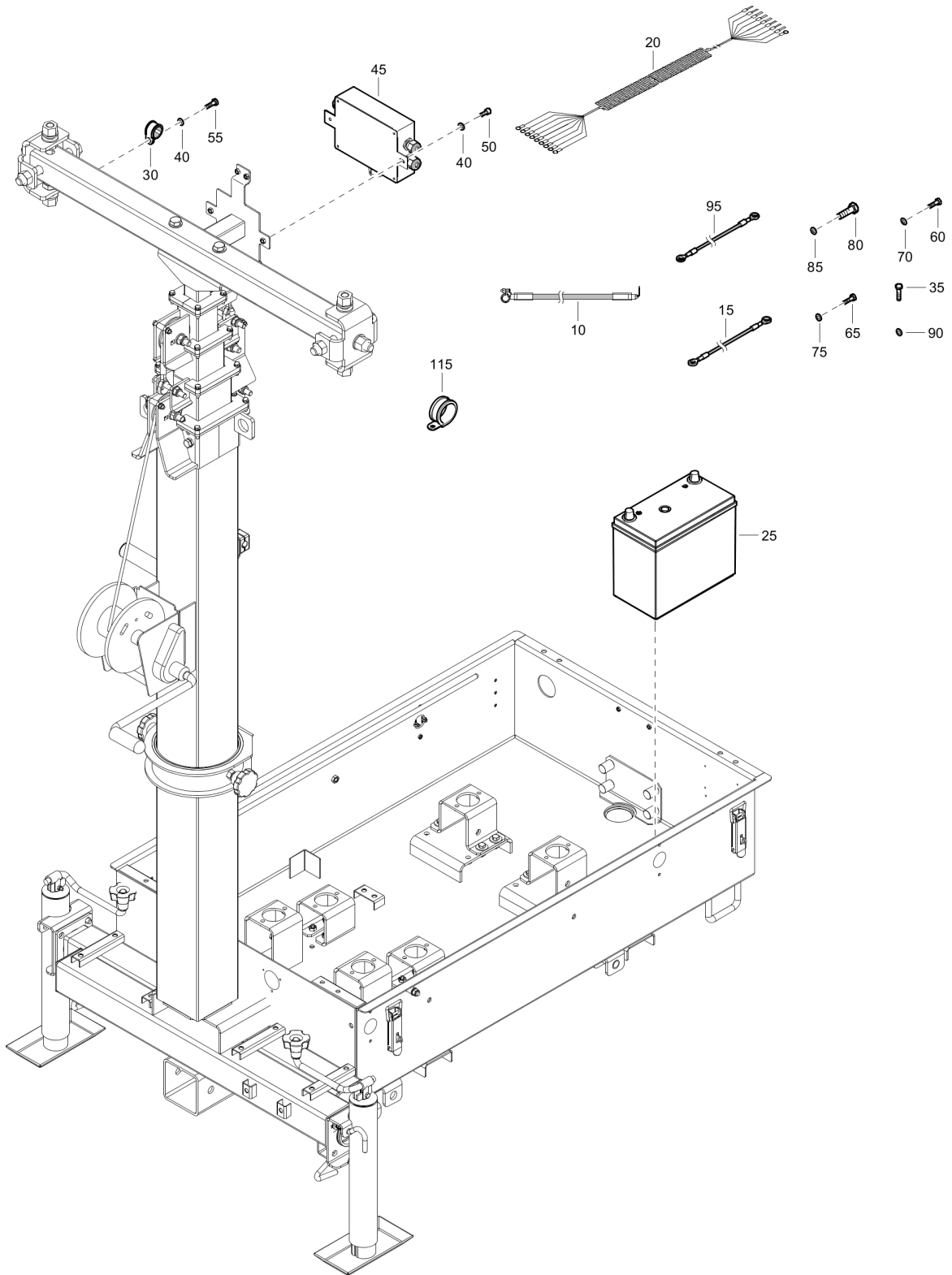


Refer to the Parts Online web page for most up-to-date information. The printed information might be outdated.

Item	Part No.	Name	Qty	L
5	1092643801	Water temperature switch	1	
10	1094194400	Battery cable	1	
15	1094208500	Pe cable	1	
20	1094152900	Coil cord	1	
25	1092852000	Battery	1	
30	1613080105	Pipe clamp	4	
35	0147124803	Hexagon bolt	2	
40	0301232100	Plain washer	5	
45	1094038800	Protection box	1	
50	0211124603	Screw	2	
55	0147124703	Screw	1	
60	0144336303	Hex. head screw	1	
65	0147139703	Hexagon bolt	1	
70	0301235800	Washer	2	
75	1088001903	Contact washer	2	
80	0147195945	Hex. head screw	1	
85	0301234400	Washer plain	1	
90	1088001902	Contact	1	
110	0653110000	Washer	1	
115	0346100007	Hose clamp	1	

Refer to the Parts Online web page for most up-to-date information. The printed information might be outdated.

Electric system 1625091794_04 Electrical system

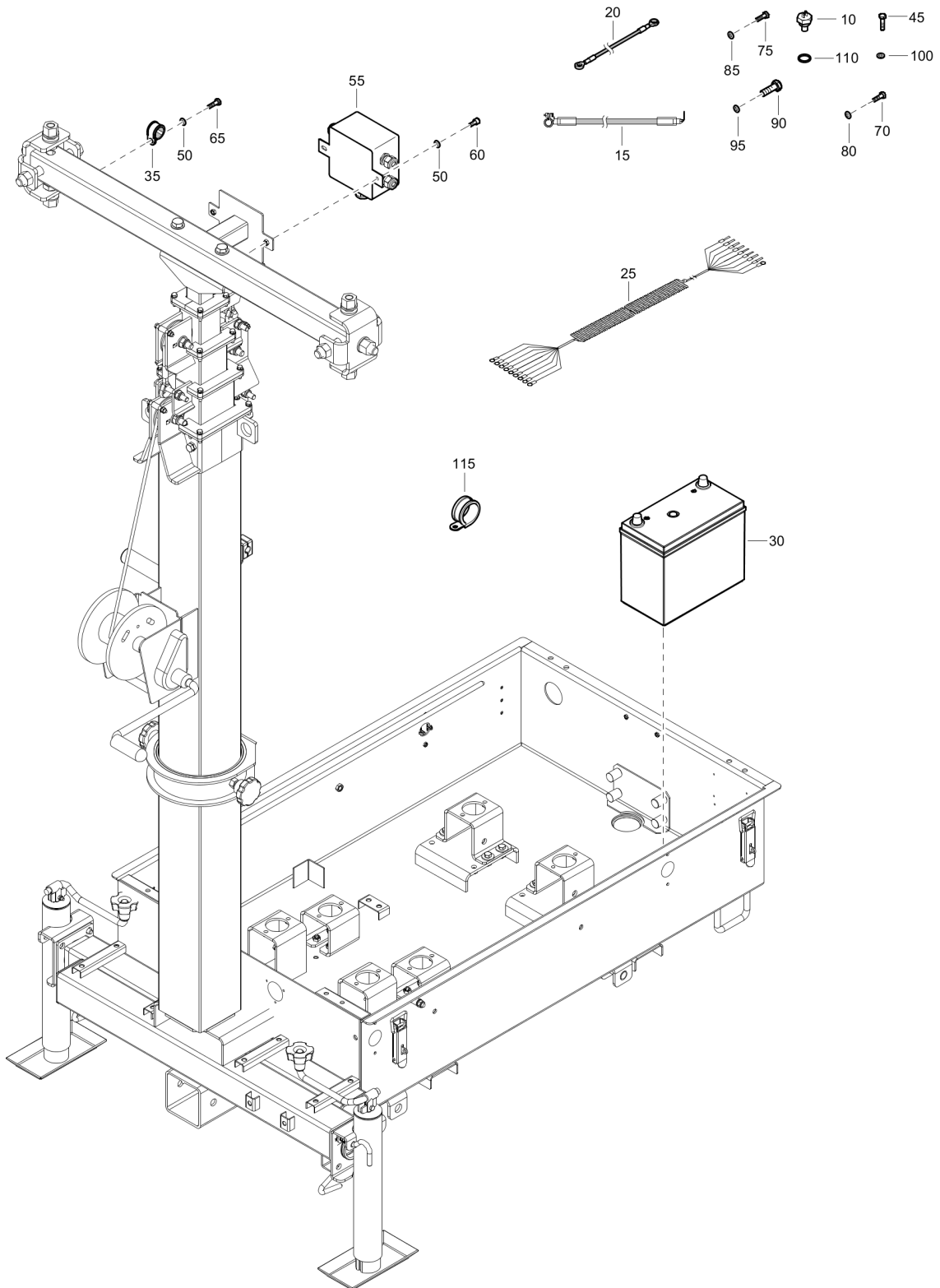


Refer to the Parts Online web page for most up-to-date information. The printed information might be outdated.

Item	Part No.	Name	Qty	L
10	1094194400	Battery cable	1	
15	1094208500	Pe cable	1	
20	1094152900	Coil cord	1	
25	1092852000	Battery	1	
30	1613080105	Pipe clamp	4	
35	0147124803	Hexagon bolt	2	
40	0301232100	Plain washer	5	
45	1094038800	Protection box	1	
50	0211124603	Screw	2	
55	0147124703	Screw	1	
60	0144336303	Hex. head screw	1	
65	0147139703	Hexagon bolt	1	
70	0301235800	Washer	2	
75	1088001903	Contact washer	2	
80	0147195945	Hex. head screw	1	
85	0301234400	Washer plain	1	
90	1088001902	Contact	1	
95	1094208700	Pe cable	1	
115	0346100007	Hose clamp	1	

Refer to the Parts Online web page for most up-to-date information. The printed information might be outdated.

Electric system 1625091797_04 Electrical system

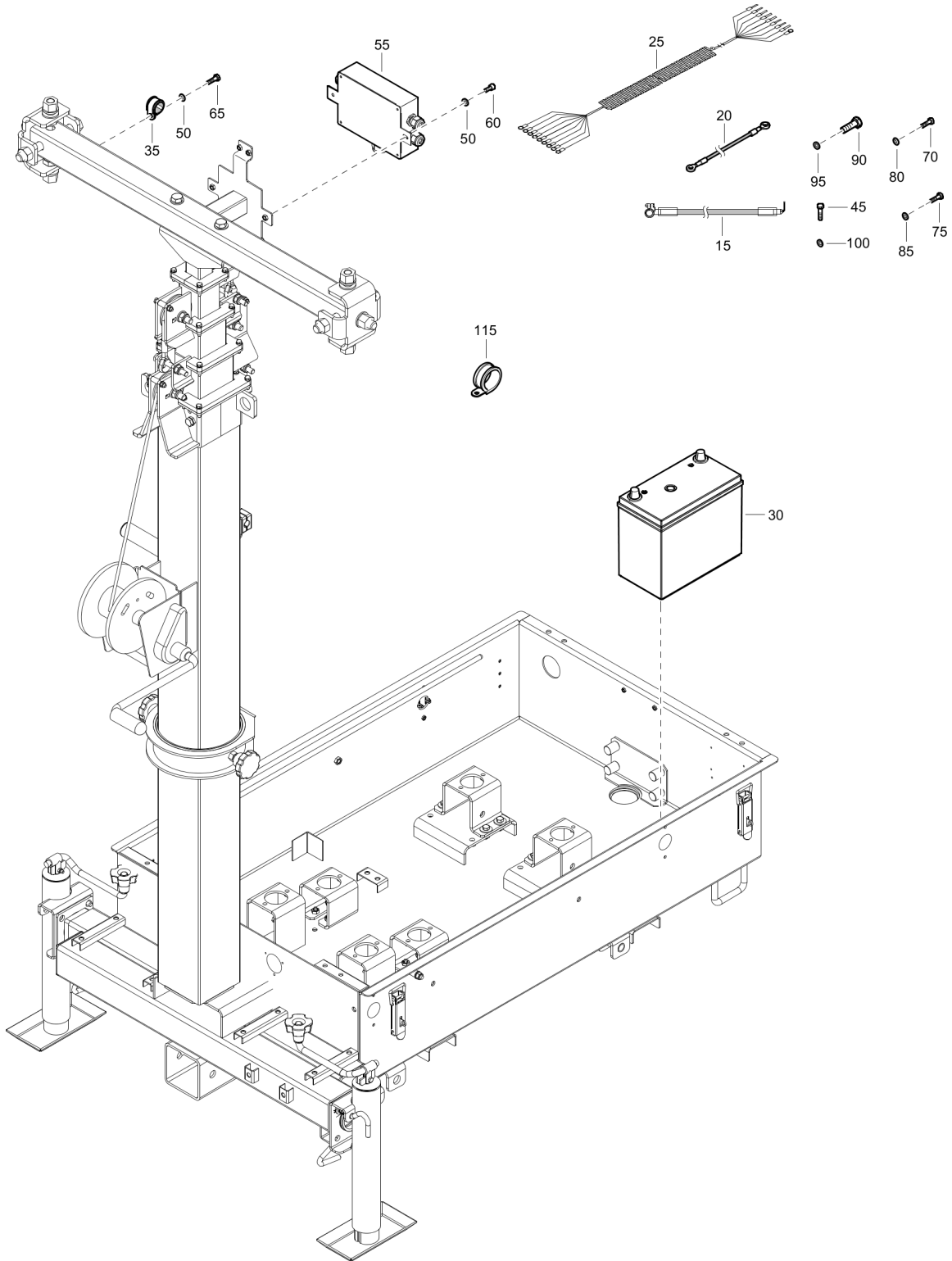


Refer to the Parts Online web page for most up-to-date information. The printed information might be outdated.

Item	Part No.	Name	Qty	L
10	1092643801	Water temperature switch	1	
15	1094194400	Battery cable	1	
20	1094149600	cable	1	
25	1094186801	Coil cord	1	
30	1092852000	Battery	1	
35	1613080105	Pipe clamp	4	
45	0147124803	Hexagon bolt	2	
50	0301232100	Plain washer	5	
55	1094170200	Junction box	1	
60	0211124603	Screw	2	
65	0147124703	Screw	1	
70	0144336303	Hex. head screw	1	
75	0147139703	Hexagon bolt	1	
80	0301235800	Washer	2	
85	1088001903	Contact washer	2	
90	0147195945	Hex. head screw	1	
95	0301234400	Washer plain	1	
100	1088001902	Contact	1	
110	0653110000	Washer	1	
115	0346100007	Hose clamp	1	

Refer to the Parts Online web page for most up-to-date information. The printed information might be outdated.

Electric system 1625091798_03 Electrical system

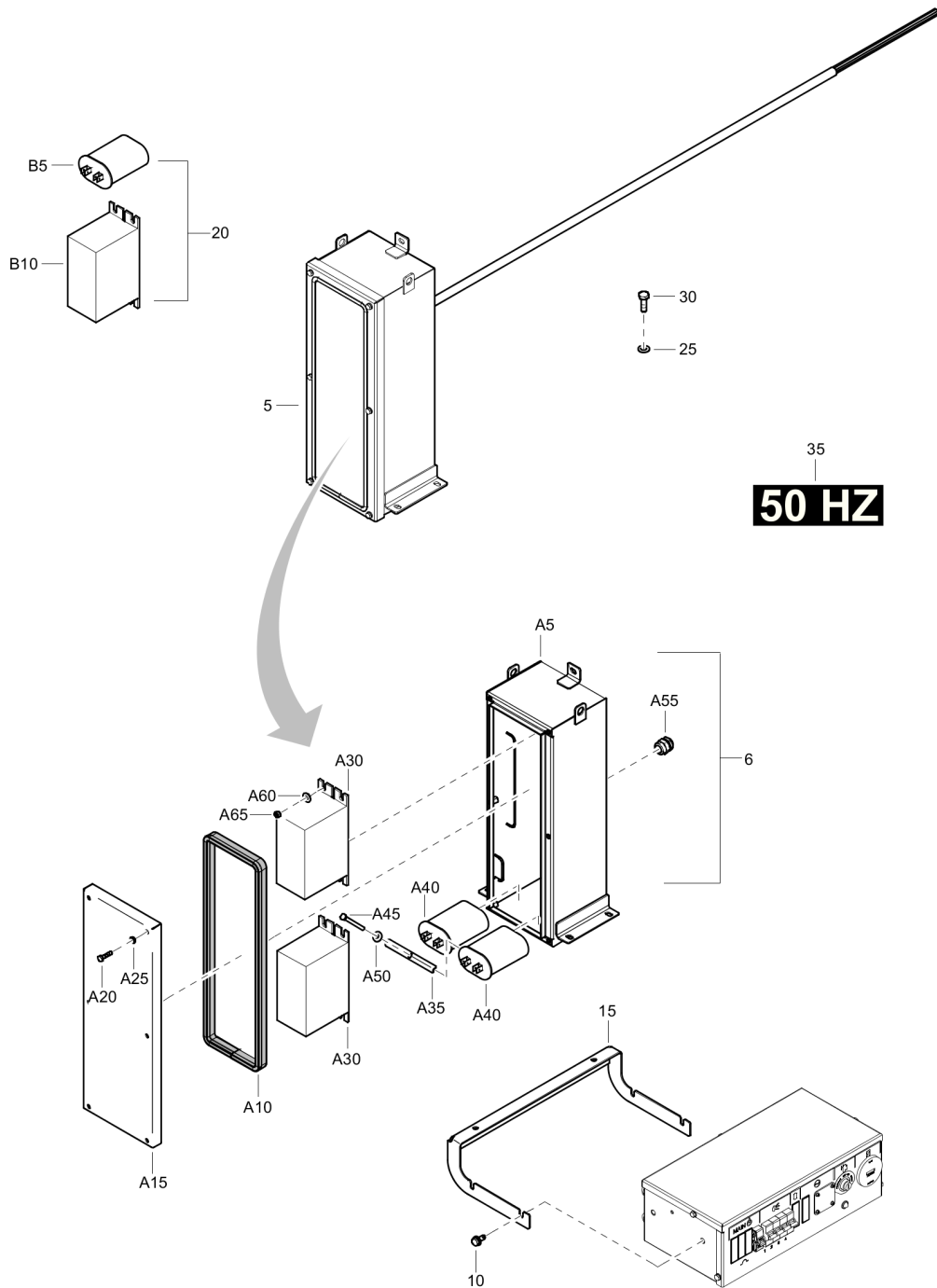


Refer to the Parts Online web page for most up-to-date information. The printed information might be outdated.

Item	Part No.	Name	Qty	L
15	1094194400	Battery cable	1	
20	1094149600	cable	1	
25	1094186801	Coil cord	1	
30	1092852000	Battery	1	
35	1613080105	Pipe clamp	4	
45	0147124803	Hexagon bolt	2	
50	0301232100	Plain washer	5	
55	1094170200	Junction box	1	
60	0211124603	Screw	2	
65	0147124703	Screw	1	
70	0144336303	Hex. head screw	1	
75	0147139703	Hexagon bolt	1	
80	0301235800	Washer	2	
85	1088001903	Contact washer	2	
90	0147195945	Hex. head screw	1	
95	0301234400	Washer plain	1	
100	1088001902	Contact	1	
115	0346100007	Hose clamp	1	

Refer to the Parts Online web page for most up-to-date information. The printed information might be outdated.

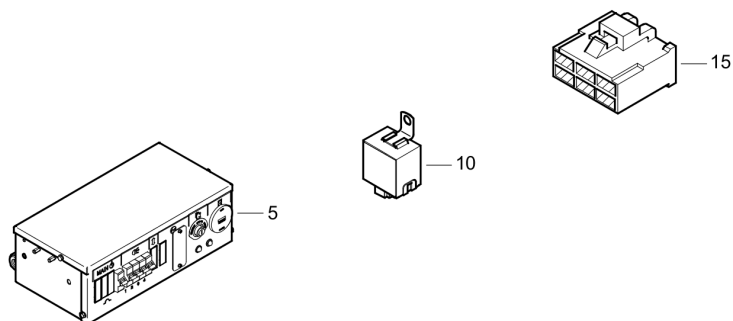
Electric system 1625054296_02 Cubicle



Refer to the Parts Online web page for most up-to-date information. The printed information might be outdated.

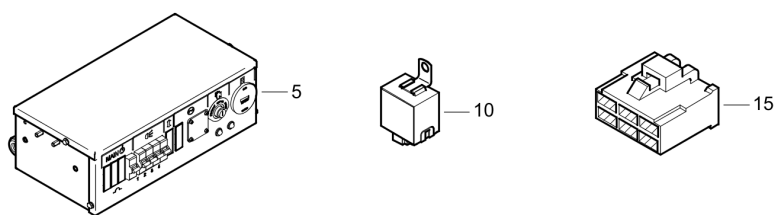
Item	Part No.	Name	Qty	L
5	1094015980	Ballast box	1	
A5	1094015900	Ballast and capacitor box	1	
A10	1202658400	Seal	AR	
A15	1094017000	Cover	1	
A20	0147124903	Screw	6	
A25	0300027473	Washer	6	
A30	1092637300	Ballast	2	
A35	1094016000	Capacitor holder	1	
A40	1092635400	Capacitor lamp	2	
A45	0147125803	Hexagon bolt	1	
A50	0300027620	Washer DIN9021	1	
A55	0698511300	Cable gland	1	
A60	0300027464	Washer	8	
A65	0291110800	Lock nut	8	
6	1094043180	Ballast box	1	
10	1619276600	Scr.bolt m8x20	16	
15	1094086900	Support	1	
20	1092635200	Capacitor and ballast	4	
B5	1092635400	Capacitor lamp	4	
B10	1092637300	Ballast	4	
25	0301234400	Washer plain	2	
30	0147136203	Screw	2	
35	1092680300	Decal	1	

Electric system 1625054258_01 Cubicle



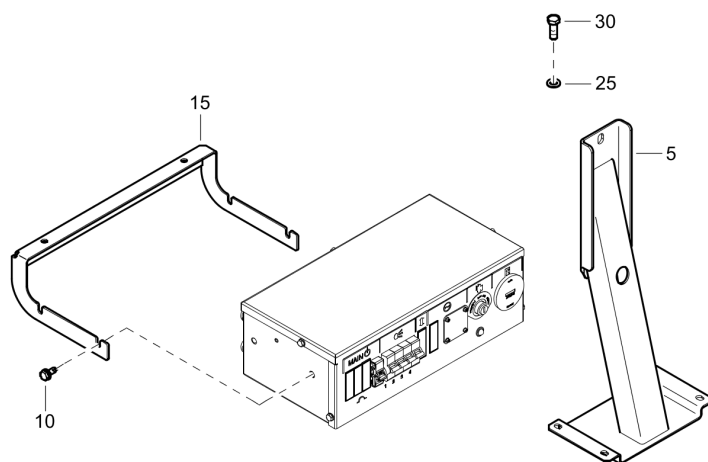
Item	Part No.	Name	Qty	L
5	1094132080	Cubicle	1	
10	1092856800	Timer relay	1	
15	1094131400	Coupler	1	

Electric system 1625054257_01 Cubicle



Item	Part No.	Name	Qty	L
5	1094131980	Cubicle	1	
10	1092856800	Timer relay	1	
15	1094131400	Coupler	1	

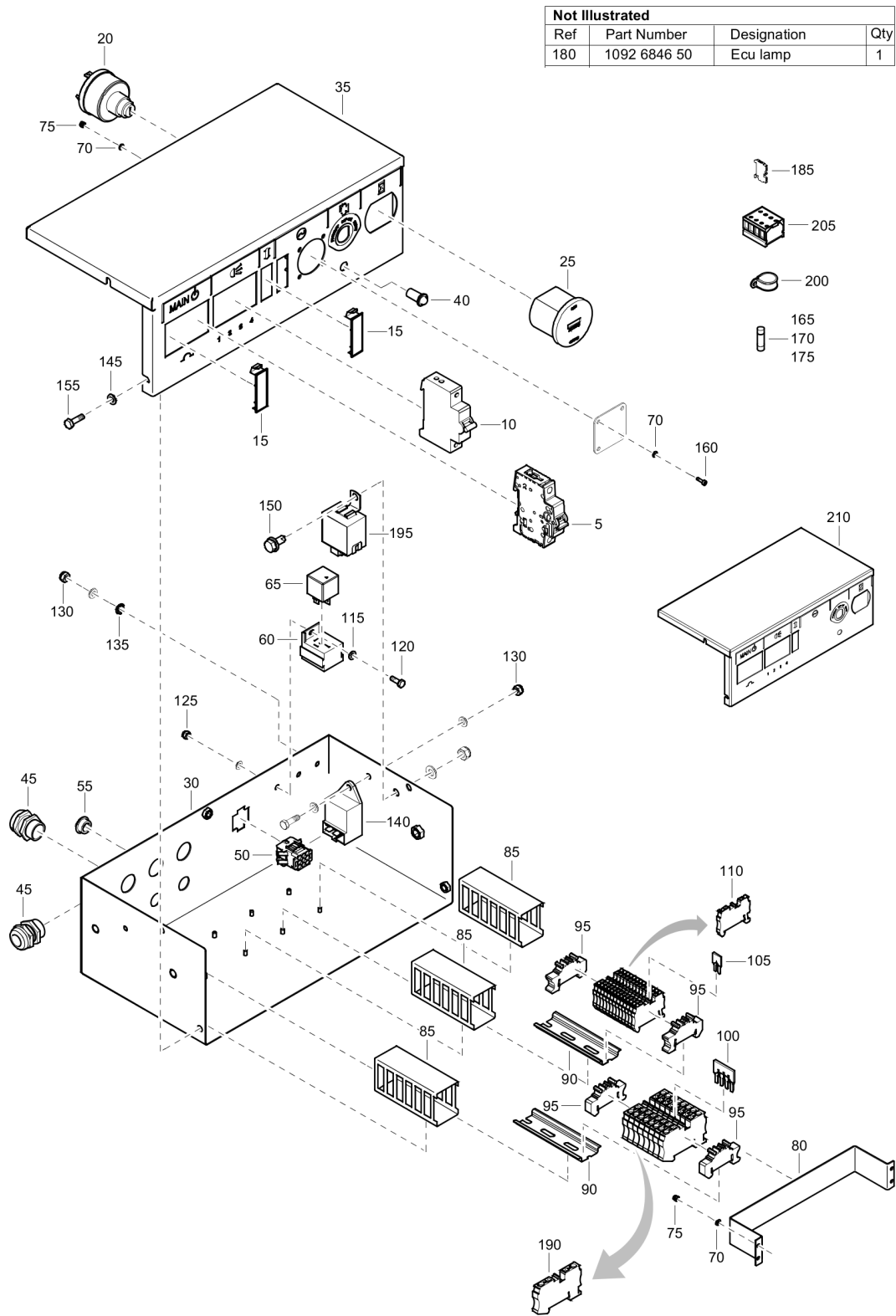
Electric system 1625054261_02 Cubicle



Item	Part No.	Name	Qty	L
5	1094126001	Support	2	
10	1619276600	Scr.bolt m8x20	14	
15	1094086900	Support	1	
25	0301234400	Washer plain	2	
30	0147136203	Screw	2	

Refer to the Parts Online web page for most up-to-date information. The printed information might be outdated.

Electric system 1094132080_01 Cubicle



Refer to the Parts Online web page for most up-to-date information. The printed information might be outdated.

Item	Part No.	Name	Qty	L
5	1089960412	Circuit breaker	1	
10	1089960407	Circuit breaker	4	
15	1092857900	Cover	5	
20	1092684400	Key switch	1	
25	1092049817	Hour meter	1	
30	1094131900	Cubicle	1	
35	1094151200	Plate cubicle	1	
40	1092684600	Buble	1	
45	0698514263	Connector	3	
50	1088002173	Connector	1	
55	0697981085	Plug socket	2	
60	1089035801	Socket	2	
65	1089946343	Relay overload	2	
70	0301230900	Washer	9	
75	0291112812	lock Nut	5	
80	1092864700	Fuel filter	1	
85	1092922600	Plate box	3	
90	1094020700	Plate	2	
95	1089057782	Terminal	4	
100	1088002710	Connector	2	
105	1088002708	Connector	3	
110	1089936621	Terminal	9	
115	0301231800	Washer	1	
120	0147120603	Screw	2	
125	0291110700	Nut	2	
130	0291110800	Lock nut	2	
135	1088001906	Contact washer	1	
140	1092684500	Time relay	1	
145	0301232100	Plain washer	5	
150	1619276600	Scr.bolt m8x20	1	
155	0147124703	Screw	6	
160	0211110603	Screw	4	
165	1089909227	Fuse	1	
170	1089909215	Fuse	1	
175	1089909217	Fuse	2	

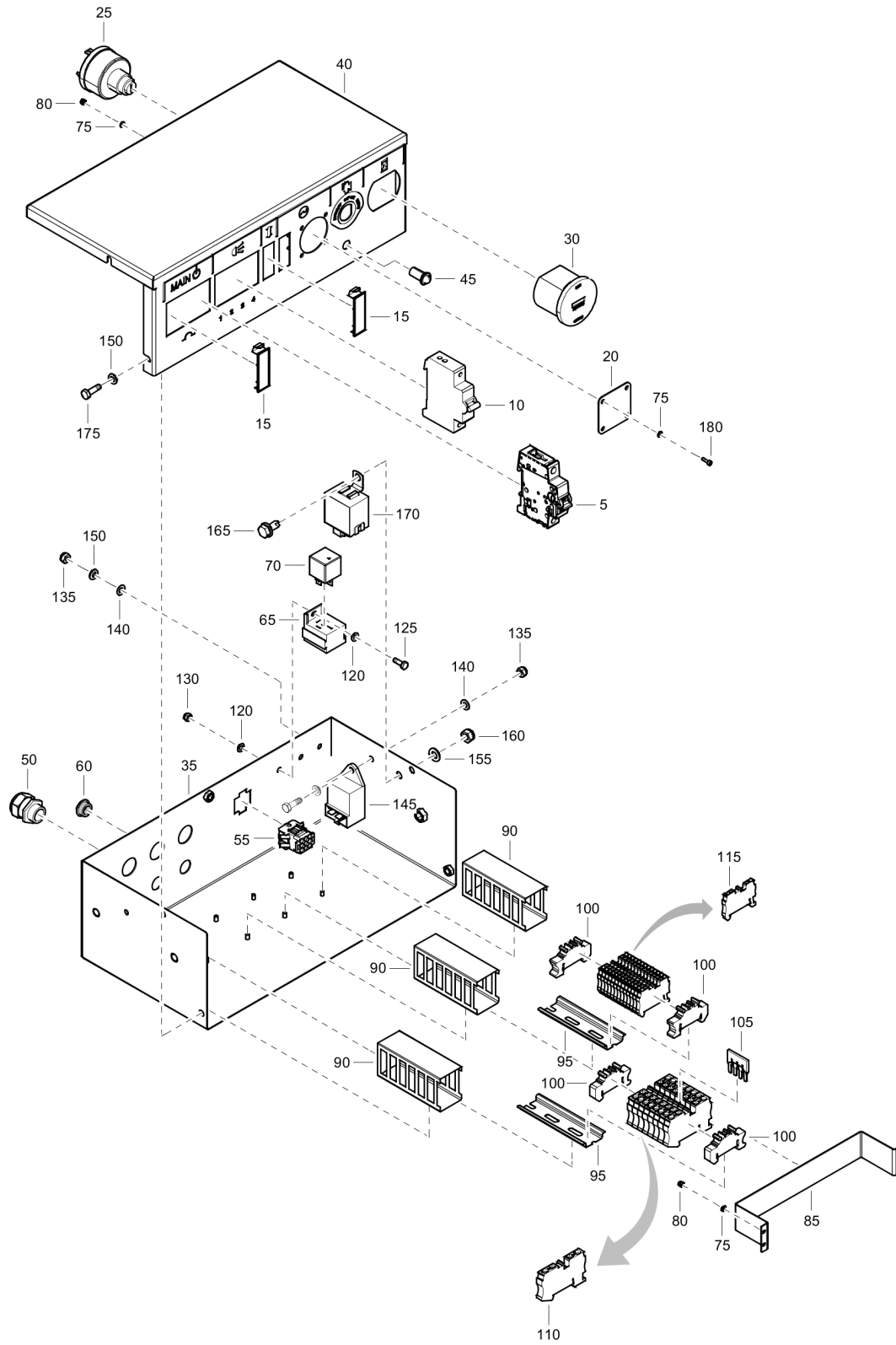
Refer to the Parts Online web page for most up-to-date information. The printed information might be outdated.

Item	Part No.	Name	Qty	L
180	1092684650	Ecu lamp	1	
185	1089057759	Terminal	1	
190	1088002706	Terminal	4	
195	1092684800	Capacitor generator	1	
200	1613080104	Pipe clamp	2	
205	1089939882	Terminal board	1	
210	1094120000	Panel	1	

Refer to the Parts Online web page for most up-to-date information. The printed information might be outdated.

This page intentionally left blank

Electric system 1092827280_01 Cubicle



Refer to the Parts Online web page for most up-to-date information. The printed information might be outdated.

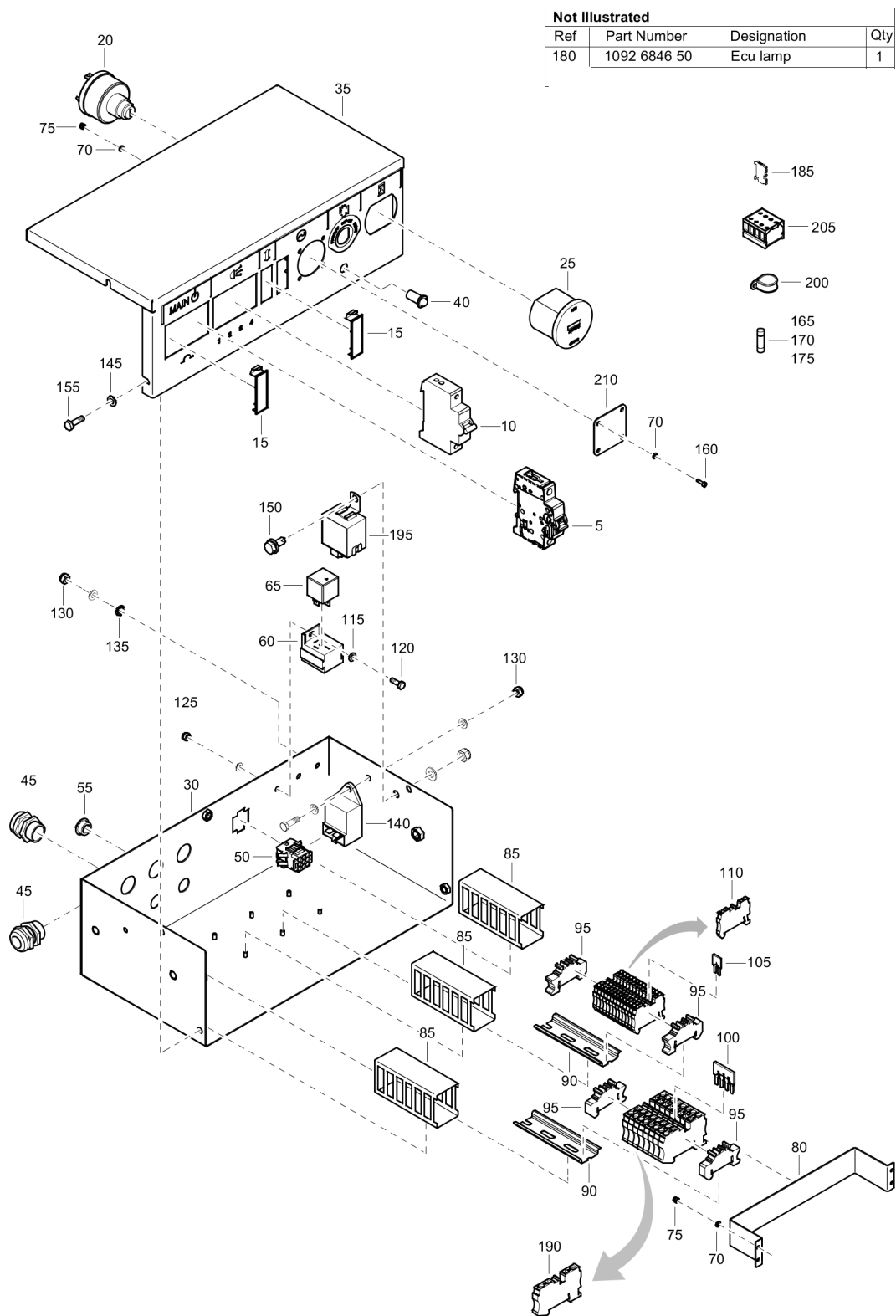
Item	Part No.	Name	Qty	L
5	1089960413	Circuit breaker	1	
10	1089960409	Circuit breaker	4	
15	1092857900	Cover	5	
20	1094120400	Plate	1	
25	1092684400	Key switch	1	
30	1092049817	Hour meter	1	
35	1094111100	Body	1	
40	1094111000	Panel	1	
45	1092684600	Buble	1	
50	0698514259	Connector	5	
55	1088002167	Connector	1	
60	0697981084	Plug protection	2	
65	1089035801	Socket	1	
70	1089946343	Relay overload	1	
75	0301230900	Washer	12	
80	0291112812	lock Nut	8	
85	1092864700	Fuel filter	1	
90	1092922600	Plate box	3	
95	1094020700	Plate	2	
100	1089057782	Terminal	4	
105	1088002710	Connector	1	
110	1088002706	Terminal	8	
115	1089936621	Terminal	13	
120	0301231800	Washer	2	
125	0147120603	Screw	1	
130	0291110700	Nut	1	
135	0291110800	Lock nut	3	
140	1088001906	Contact washer	2	
145	1092684500	Time relay	1	
150	0301232100	Plain washer	9	
155	0301233500	Plain washer(a) 8.4 x 16 x 1.6	1	
160	0291111000	Locknut	1	
165	1619276600	Scr.bolt m8x20	1	
170	1092856800	Timer relay	1	
175	0147124703	Screw	6	

Refer to the Parts Online web page for most up-to-date information. The printed information might be outdated.

Item	Part No.	Name	Qty	L
180	0211110603	Screw	4	

This page intentionally left blank

Electric system 1094131980_01 Cubicle



Refer to the Parts Online web page for most up-to-date information. The printed information might be outdated.

Item	Part No.	Name	Qty	L
5	1089960409	Circuit breaker	1	
10	1089960407	Circuit breaker	4	
15	1092857900	Cover	5	
20	1092684400	Key switch	1	
25	1092049817	Hour meter	1	
30	1094131900	Cubicle	1	
35	1094140800	Plate cubicle	1	
40	1092684600	Buble	1	
45	0698514263	Connector	3	
50	1088002173	Connector	1	
55	0697981085	Plug socket	2	
60	1089035801	Socket	2	
65	1089946343	Relay overload	2	
70	0301230900	Washer	9	
75	0291112812	lock Nut	5	
80	1092864700	Fuel filter	1	
85	1092922600	Plate box	3	
90	1094020700	Plate	2	
95	1089057782	Terminal	4	
100	1088002710	Connector	2	
105	1088002708	Connector	3	
110	1089936621	Terminal	9	
115	0301231800	Washer	1	
120	0147120603	Screw	2	
125	0291110700	Nut	2	
130	0291110800	Lock nut	2	
135	1088001906	Contact washer	1	
140	1092684500	Time relay	1	
145	0301232100	Plain washer	5	
150	1619276600	Scr.bolt m8x20	1	
155	0147124703	Screw	6	
160	0211110603	Screw	4	
165	1089909227	Fuse	1	
170	1089909215	Fuse	1	
175	1089909217	Fuse	2	

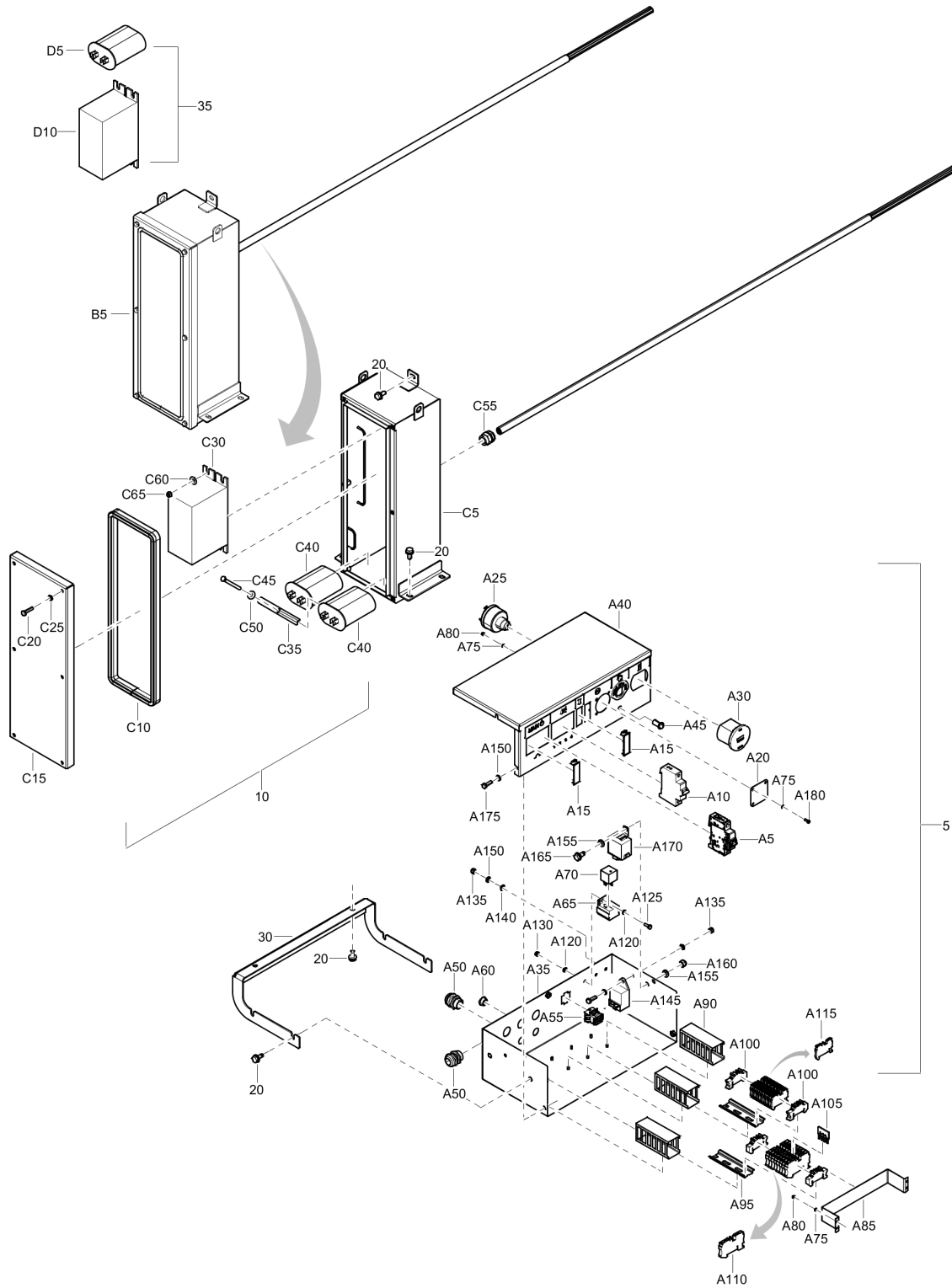
Refer to the Parts Online web page for most up-to-date information. The printed information might be outdated.

Item	Part No.	Name	Qty	L
180	1092684650	Ecu lamp	1	
185	1089057759	Terminal	1	
190	1088002706	Terminal	4	
195	1092684800	Capacitor generator	1	
200	1613080104	Pipe clamp	2	
205	1089939882	Terminal board	1	
210	1094120400	Plate	1	

Refer to the Parts Online web page for most up-to-date information. The printed information might be outdated.

This page intentionally left blank

Electric system 1625054270_00 Cubicle v15 mh 50hz no socket



Refer to the Parts Online web page for most up-to-date information. The printed information might be outdated.

Item	Part No.	Name	Qty	L
5	1092827280	Cubicle assembly	1	
A5	1089960413	Circuit breaker	1	
A10	1089960409	Circuit breaker	4	
A15	1092857900	Cover	5	
A20	1094120400	Plate	1	
A25	1092684400	Key switch	1	
A30	1092049817	Hour meter	1	
A35	1094111100	Body	1	
A40	1094111000	Panel	1	
A45	1092684600	Buble	1	
A50	0698514263	Connector	5	
A55	1088002167	Connector	1	
A60	0697981084	Plug protection	2	
A65	1089035801	Socket	2	
A70	1089946343	Relay overload	2	
A75	0301230900	Washer	12	
A80	0291112812	lock Nut	8	
A85	1092864700	Fuel filter	1	
A90	1092922600	Plate box	3	
A95	1094020700	Plate	2	
A100	1089057782	Terminal	4	
A105	1088002710	Connector	1	
A110	1088002706	Terminal	8	
A115	1089936621	Terminal	13	
A120	0301231800	Washer	4	
A125	0147120603	Screw	2	
A130	0291110700	Nut	2	
A135	0291110800	Lock nut	2	
A140	1088001906	Contact washer	1	
A145	1092684500	Time relay	1	
A150	0301232100	Plain washer	8	
A155	0301233500	Plain washer(a) 8.4 x 16 x 1.6	1	
A160	0291111000	Locknut	1	
A165	1619276600	Scr.bolt m8x20	1	
A170	1092856800	Timer relay	1	

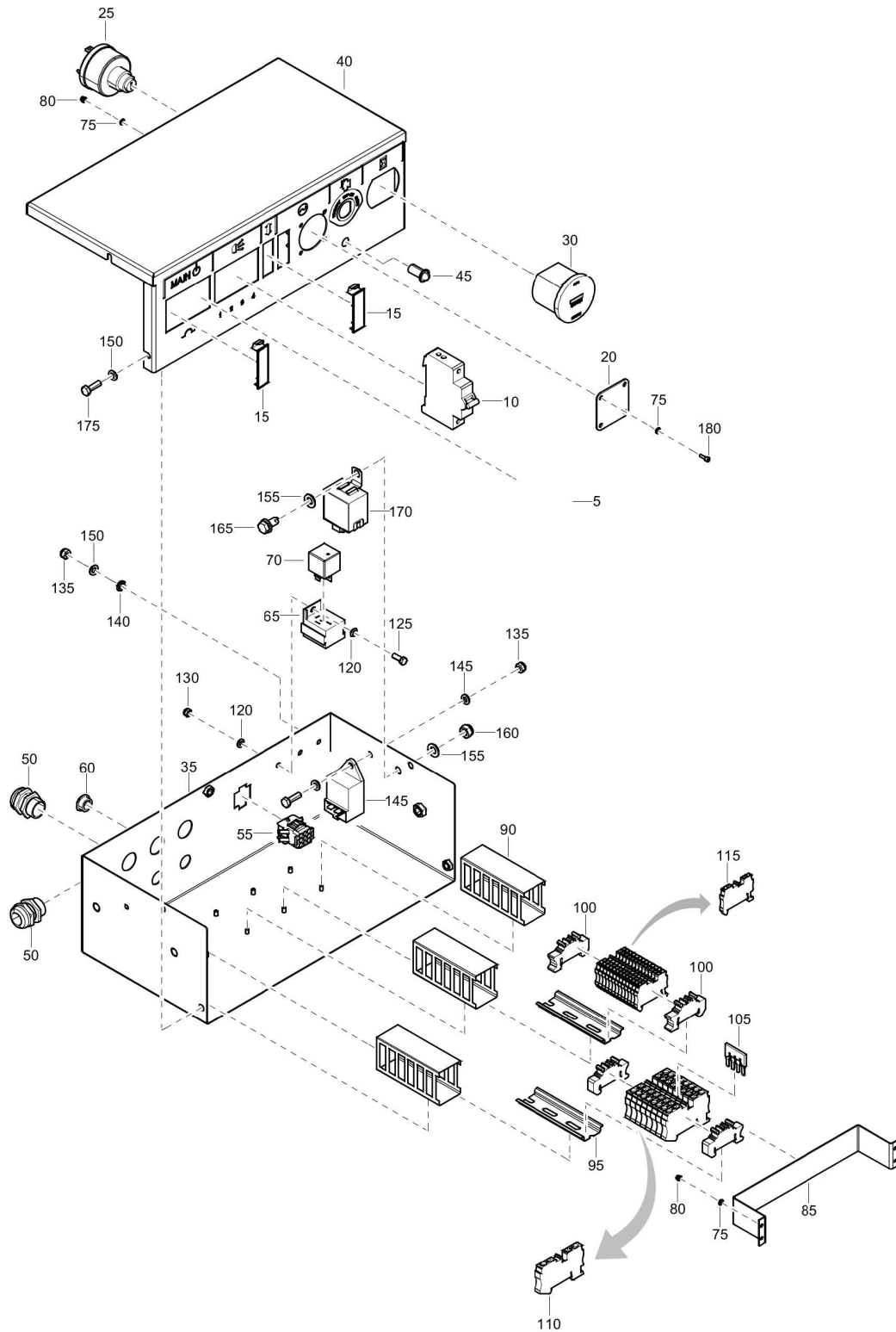
Refer to the Parts Online web page for most up-to-date information. The printed information might be outdated.

Item	Part No.	Name	Qty	L
A175	0147124703	Screw	6	
A180	0211110603	Screw	4	
10	1094043100	Ballast box	1	
B5	1094015980	Ballast box	2	
C5	1094015900	Ballast and capacitor box	1	
C10	1202658400	Seal	1.158	
C15	1094017000	Cover	1	
C20	0147124903	Screw	6	
C25	0300027473	Washer	6	
C30	1092637300	Ballast	2	
C35	1094016000	Capacitor holder	1	
C40	1092635400	Capacitor lamp	2	
C45	0147125803	Hexagon bolt	1	
C50	0300027620	Washer DIN9021	1	
C55	0698511300	Cable gland	1	
C60	0300027464	Washer	8	
C65	0291110800	Lock nut	8	
20	1619276600	Scr.bolt m8x20	16	
30	1094086900	Support	1	
35	1092635200	Capacitor and ballast	4	
D5	1092635400	Capacitor lamp	1	
D10	1092637300	Ballast	1	

Refer to the Parts Online web page for most up-to-date information. The printed information might be outdated.

This page intentionally left blank

Electric system 1625091728_00 Cubicle V15 MH 60Hz no socket



Refer to the Parts Online web page for most up-to-date information. The printed information might be outdated.

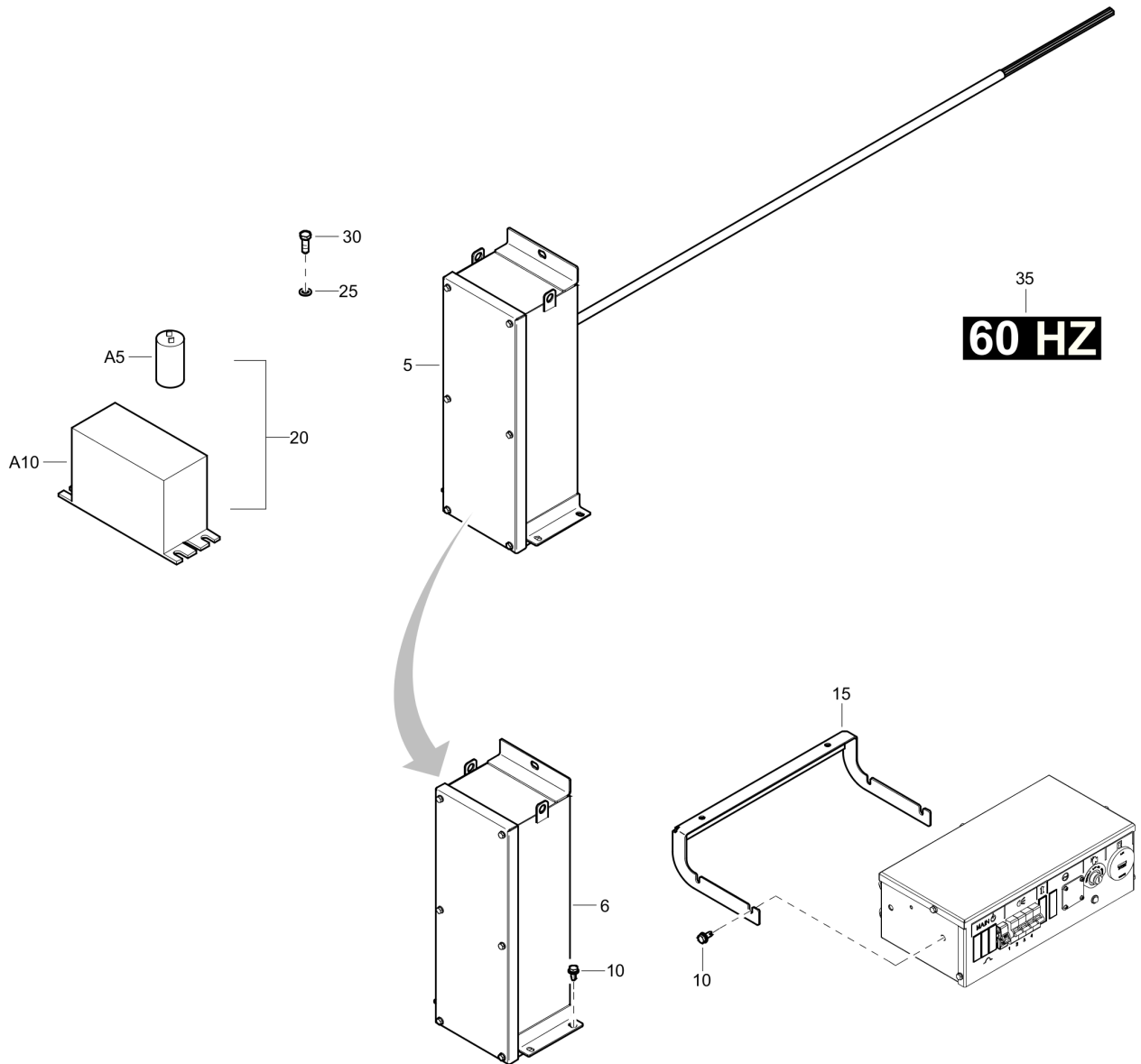
Item	Part No.	Name	Qty	L
5	1089960434	Circuit breaker	1	
10	1089960411	Circuit breaker	4	
15	1092857900	Cover	5	
20	1094120000	Panel	1	
25	1092684400	Key switch	1	
30	1092049817	Hour meter	1	
35	1094111100	Body	1	
40	1094062400	Panel	1	
45	1092684600	Buble	1	
50	0698514263	Connector	5	
55	1088002167	Connector	1	
60	0697981084	Plug protection	2	
65	1089035801	Socket	1	
70	1089946343	Relay overload	1	
75	0301230900	Washer	12	
80	0291112812	lock Nut	8	
85	1092864700	Fuel filter	1	
90	1092922600	Plate box	3	
95	1094020700	Plate	2	
100	1089057782	Terminal	4	
105	1088002711	Connector	1	
110	1088002706	Terminal	8	
115	1089936621	Terminal	13	
120	0301231800	Washer	4	
125	0147120603	Screw	2	
130	0291110700	Nut	2	
135	0291110800	Lock nut	2	
140	1088001906	Contact washer	1	
145	1092684500	Time relay	1	
150	0301232100	Plain washer	8	
155	0301233500	Plain washer(a) 8.4 x 16 x 1.6	1	
160	0291111000	Locknut	1	
165	1619276600	Scr.bolt m8x20	1	
170	1092856800	Timer relay	1	
175	0147124703	Screw	6	

Refer to the Parts Online web page for most up-to-date information. The printed information might be outdated.

Item	Part No.	Name	Qty	L
180	0211110603	Screw	4	

This page intentionally left blank

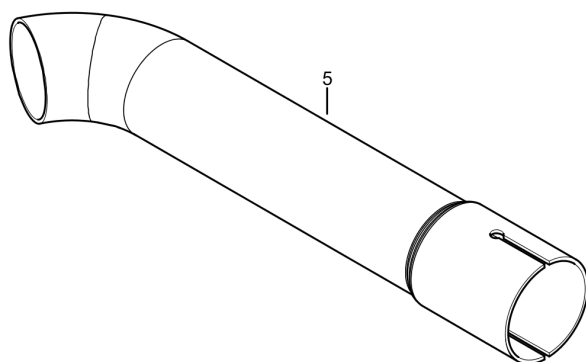
Electric system 1625091729_02 Cubicle accessories



Refer to the Parts Online web page for most up-to-date information. The printed information might be outdated.

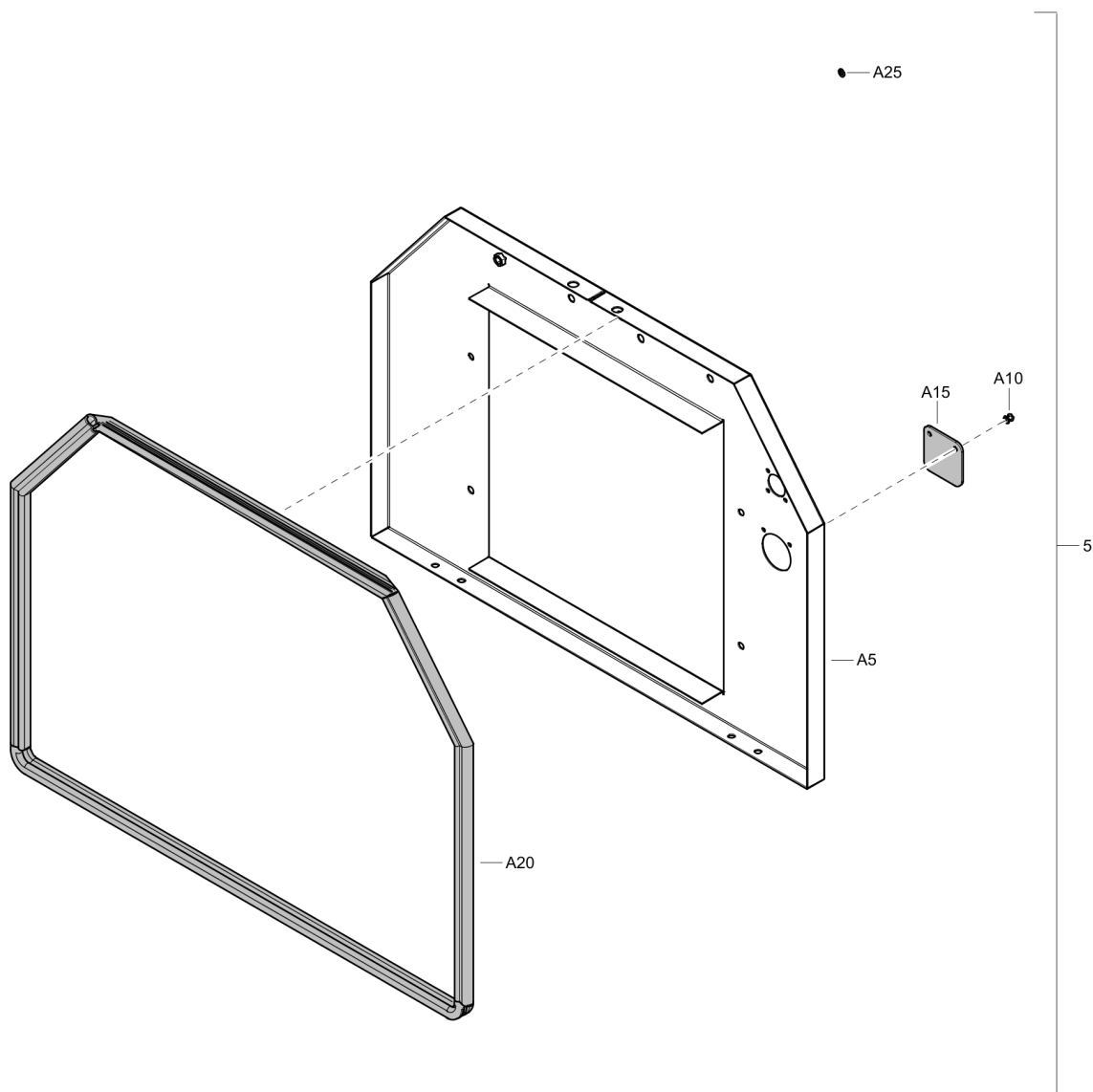
Item	Part No.	Name	Qty	L
5	1094081880	Ballast box	1	
6	1094085880	Ballast box	1	
10	1619276600	Scr.bolt m8x20	16	
15	1094086900	Support	1	
20	1092635300	Capacitor and ballast	4	
A5	1092717400	Capacitor lamp	4	
A10	1092638300	Ballast	4	
25	0301234400	Washer plain	2	
30	0147136203	Screw	2	
35	1092680200	Decal	1	

Options / accessories 1625054303_00 No option Spark Arrestor



Item	Part No.	Name	Qty	L
5	1092854402	Pipe	1	

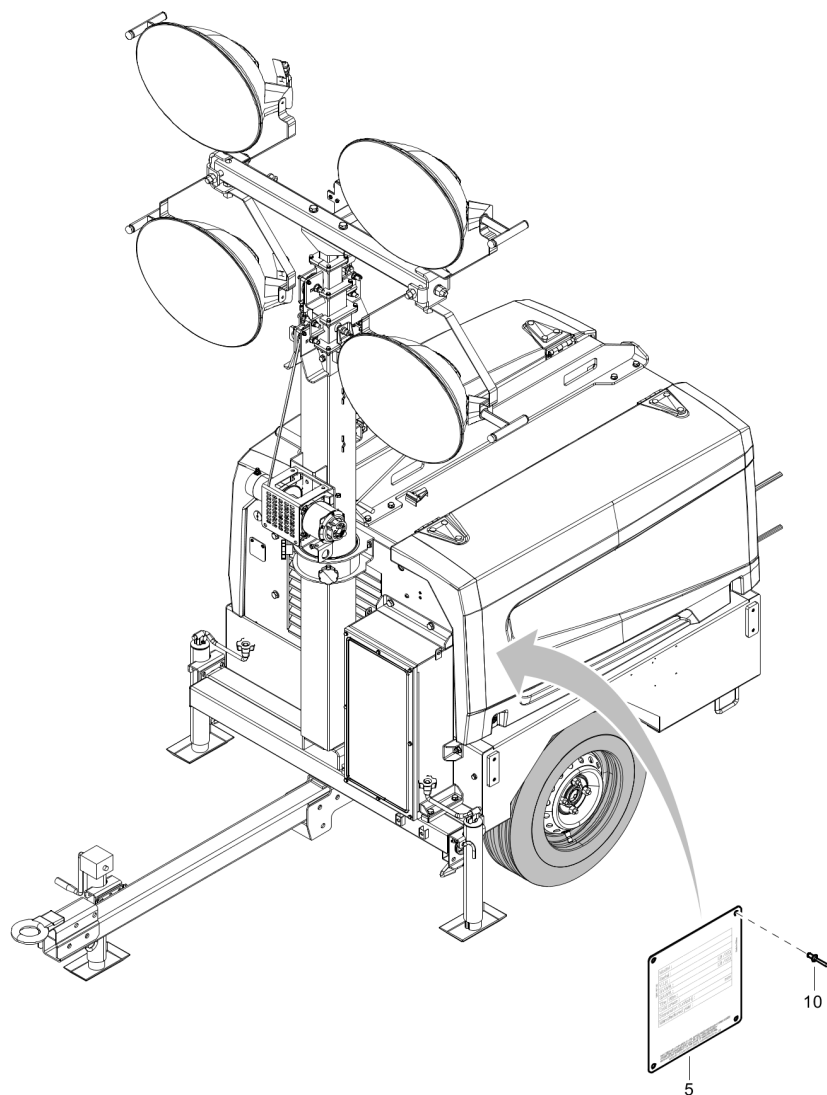
Options / accessories 1625054304_00 No option tail light V15



Item	Part No.	Name	Qty	L
5	1094022282	Panle	1	
A5	1094022202	Panel	1	
A10	0129310100	Blind rivet	2	
A15	1094022335	Seal	1	
A20	1604431700	Seal	1.15	
A25	0301231800	Washer	2	

Refer to the Parts Online web page for most up-to-date information. The printed information might be outdated.

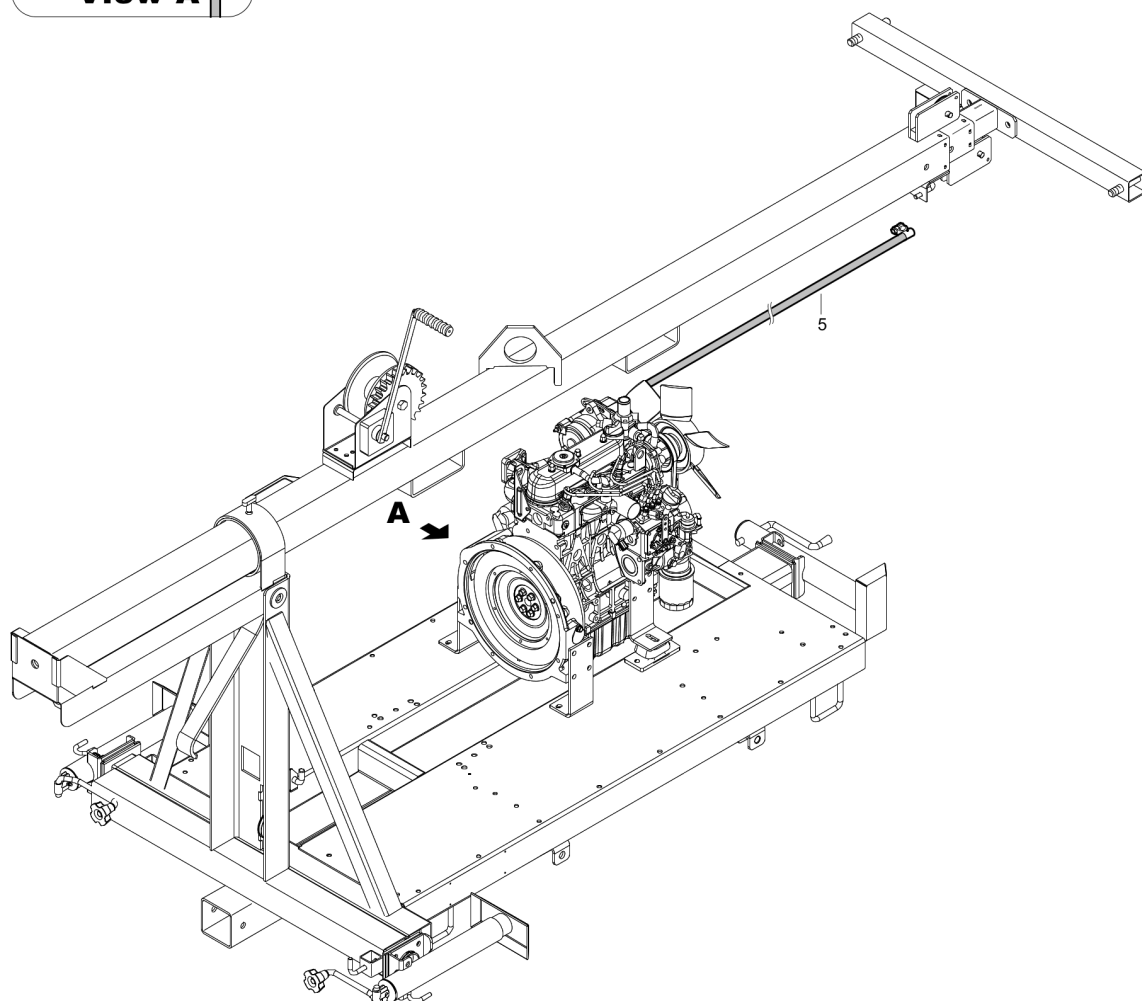
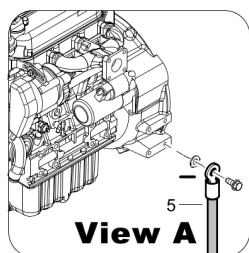
Options / accessories 1625091764_00 No option - Data plate



Refer to the Parts Online web page for most up-to-date information. The printed information might be outdated.

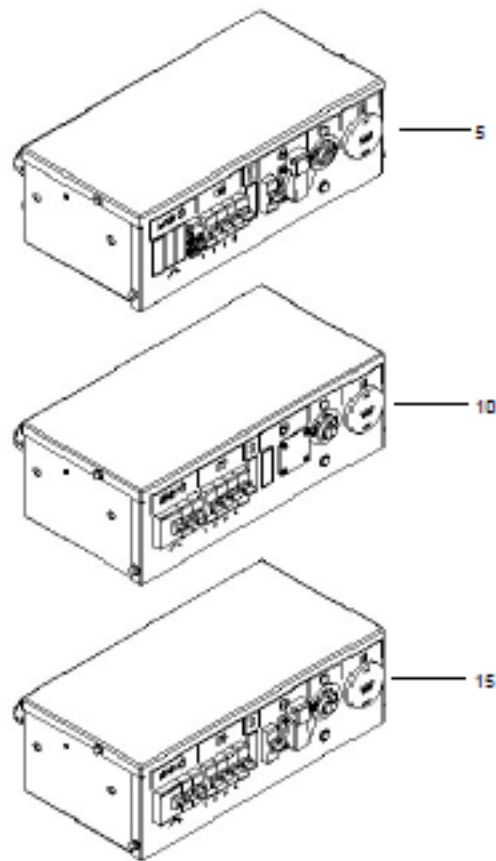
Item	Part No.	Name	Qty	L
5	-	Data plate (Not available separately)	1	
10	0129310300	Rivet	4	

Options / accessories 1625054302_01 No option bottle



Item	Part No.	Name	Qty	L
5	1092856000	Battery cable	1	

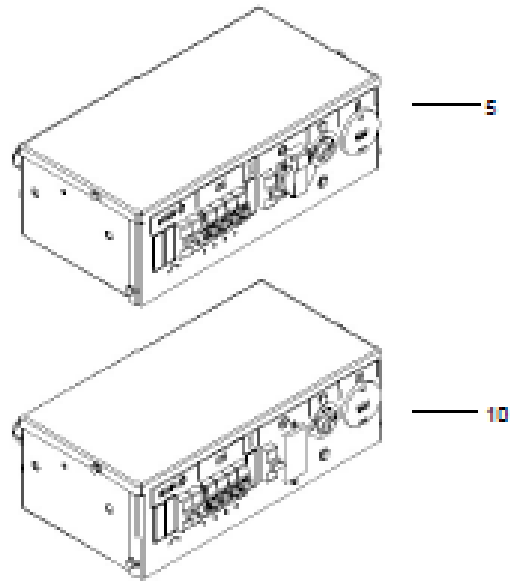
Options / accessories Cubicle 50Hz MH



Refer to the Parts Online web page for most up-to-date information. The printed information might be outdated.

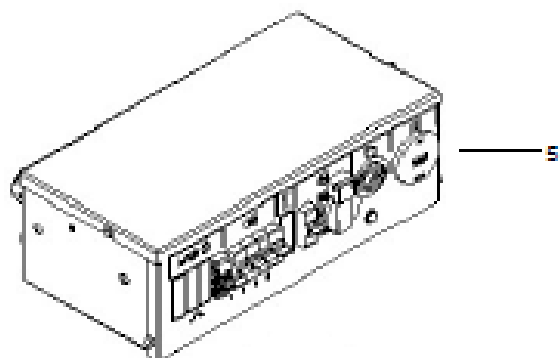
Item	Part No.	Name	Qty	L
5	1094061480	Qlt v15 cubicle	1	
10	1094120080	Cubicle	1	
15	1094111080	Cubicle	1	

Options / accessories Cubicle 60Hz MH



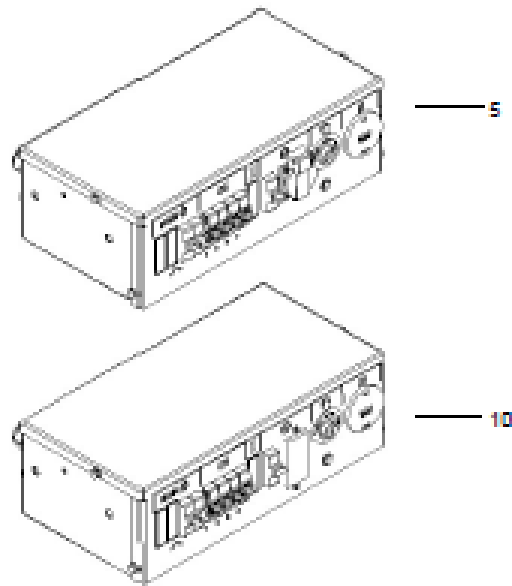
Item	Part No.	Name	Qty	L
5	1094052880	Cubicle	1	
10	1094062280	Cubicle	1	

Options / accessories Cubicle 50Hz LED



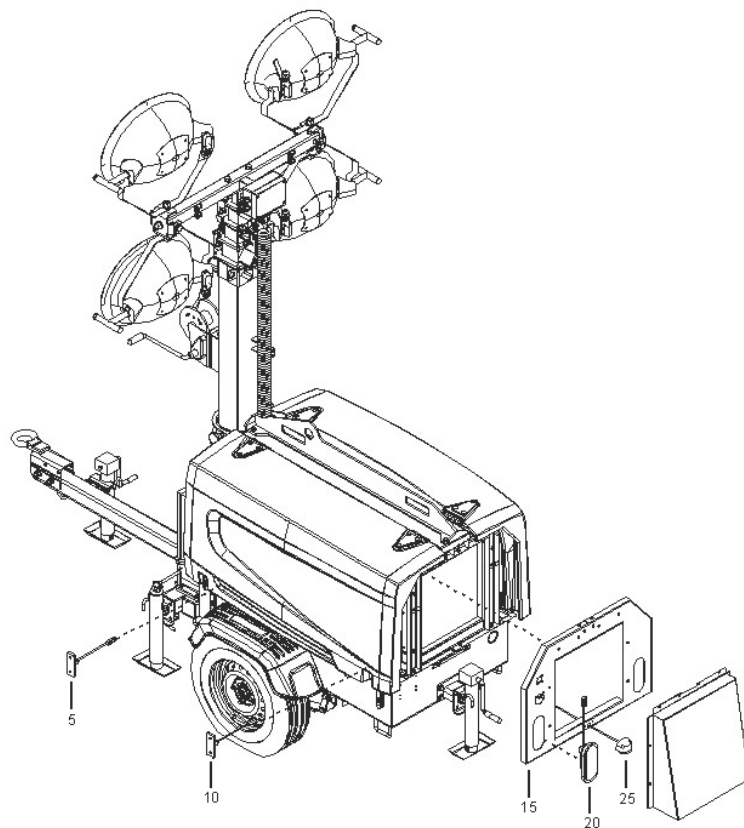
Item	Part No.	Name	Qty	L
5	1094156380	Cubicle with WEIPU socket	1	

Options / accessories Cubicle 60Hz LED



Item	Part No.	Name	Qty	L
5	1094156380	Cubicle with WEIPU socket	1	
10	1094156080	Cubicle duplex	1	

Options / accessories 1625091436_00 Tail light

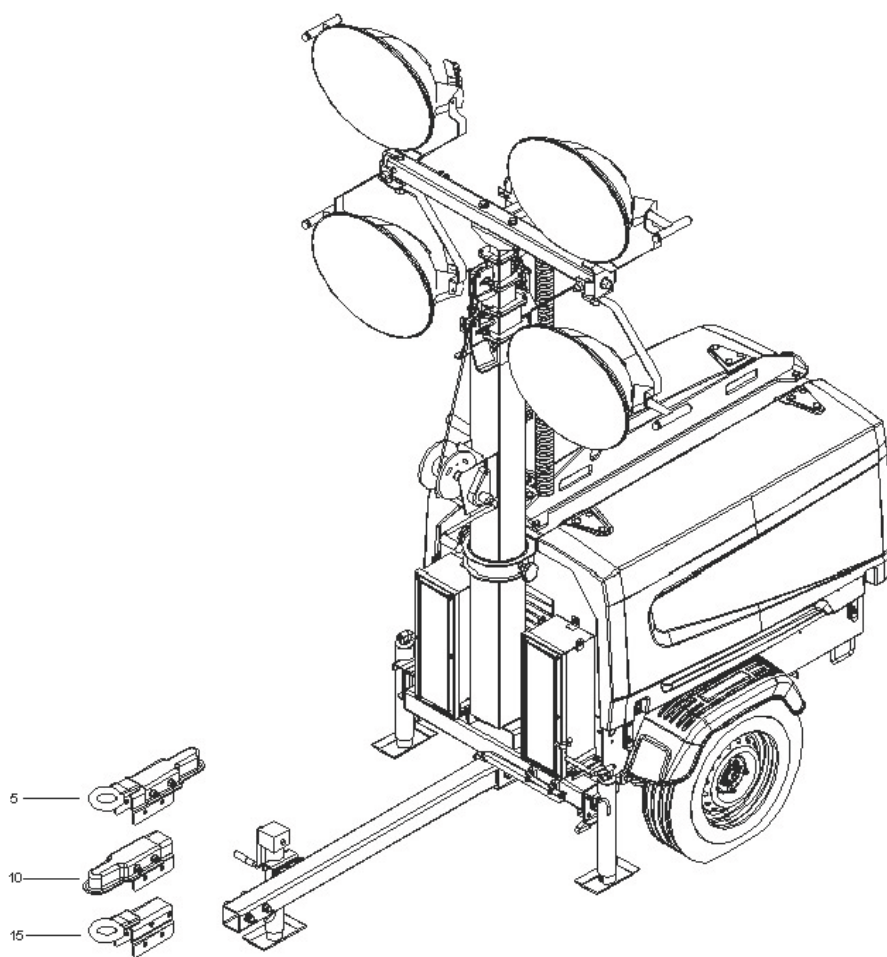


Refer to the Parts Online web page for most up-to-date information. The printed information might be outdated.

Item	Part No.	Name	Qty	L
5	1092706800	Option - light side	2	
10	1092706700	Option - light side	2	
15	1094072880	Option panel road light	1	
20	1092706900	Option - tail light	2	
25	1092707100	Option - license light	1	

Refer to the Parts Online web page for most up-to-date information. The printed information might be outdated.

Options / accessories Towing



Refer to the Parts Online web page for most up-to-date information. The printed information might be outdated.

Item	Part No.	Name	Qty	L
5	1625090036	Combo eye	1	
10	1625090039	Ball coupling 2 inch	1	
15	1092688300	Ring towing eye	1	